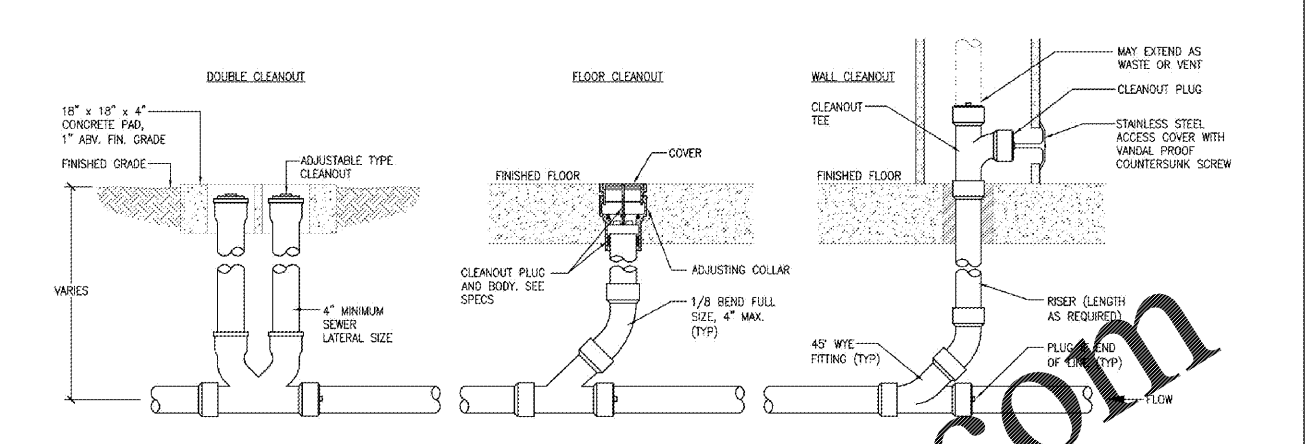
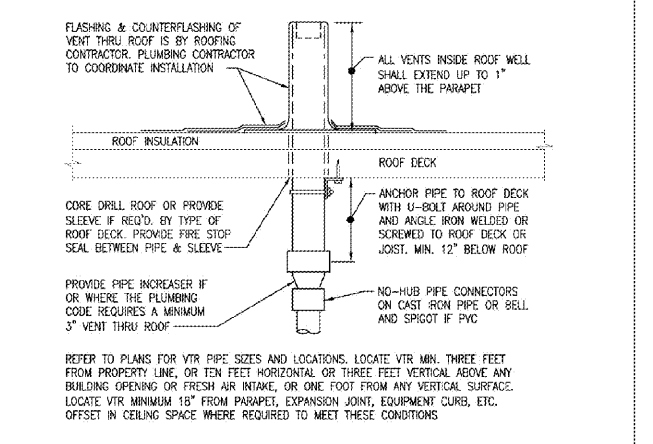


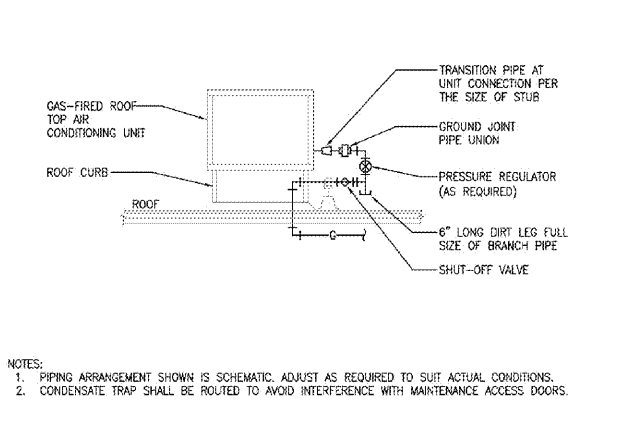
**DRAINAGE DETAILS**  
SCALE: NONE 1



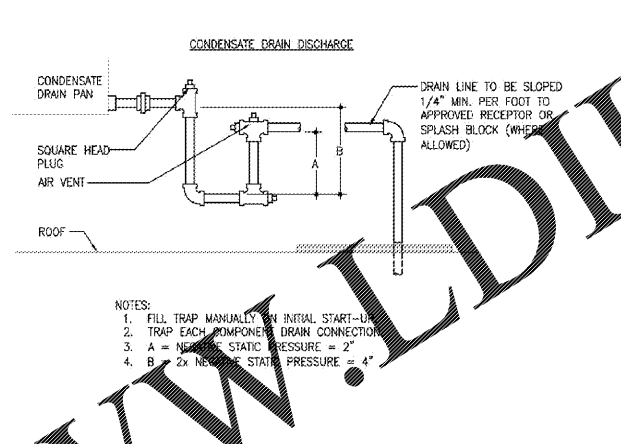
**CLEANOUT DETAILS**  
SCALE: NONE 2



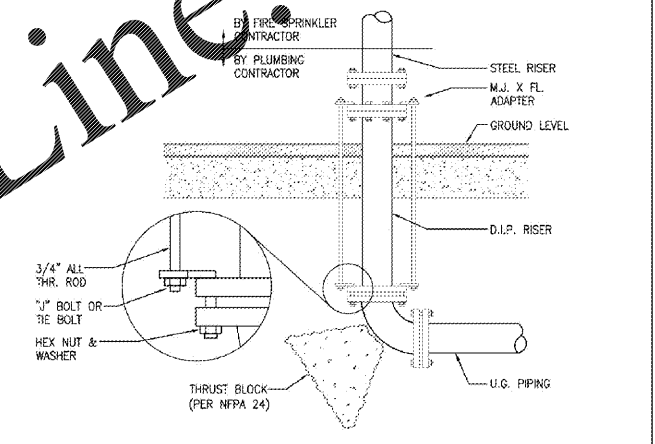
**VENT THROUGH ROOF DETAIL**  
SCALE: NONE 3



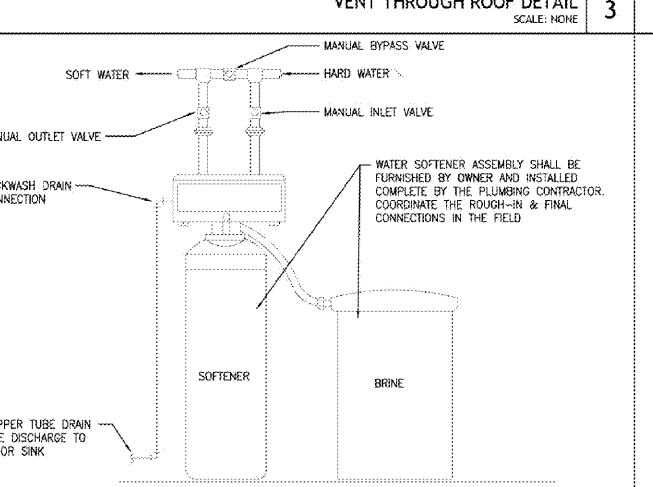
**HVAC GAS CONNECTION DETAIL**  
SCALE: NONE 4



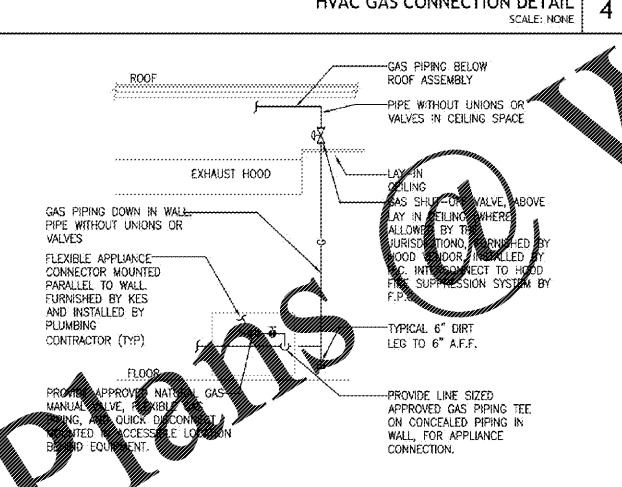
**HVAC CONDENSATE CONNECTION DETAIL**  
SCALE: NONE 5



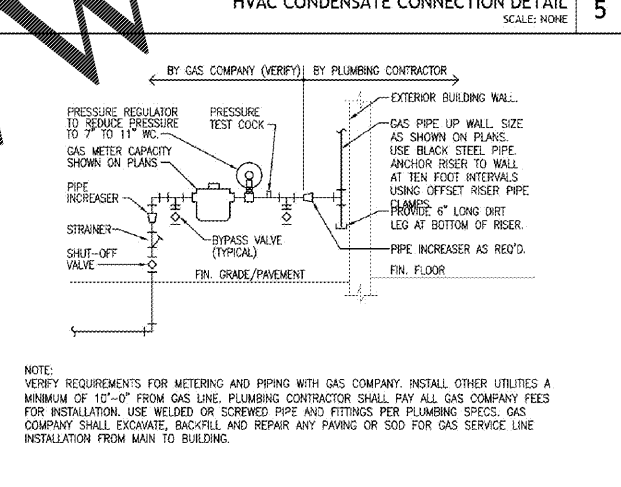
**UNDERGROUND FIRE SERVICE STUB UP DETAIL**  
SCALE: NONE 6



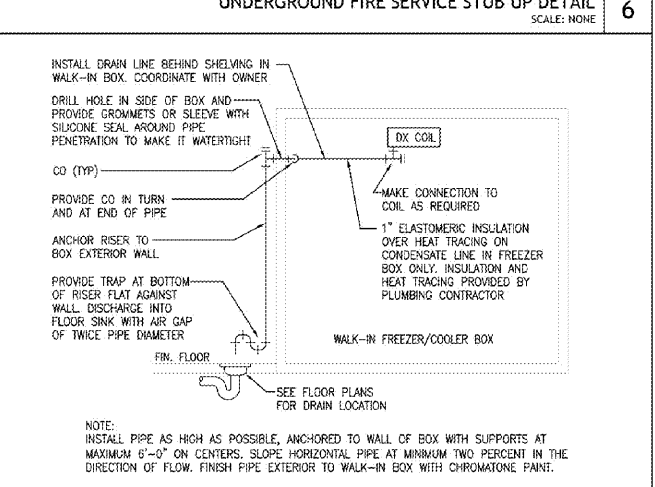
**WATER SOFTENER DETAIL**  
SCALE: NONE 7



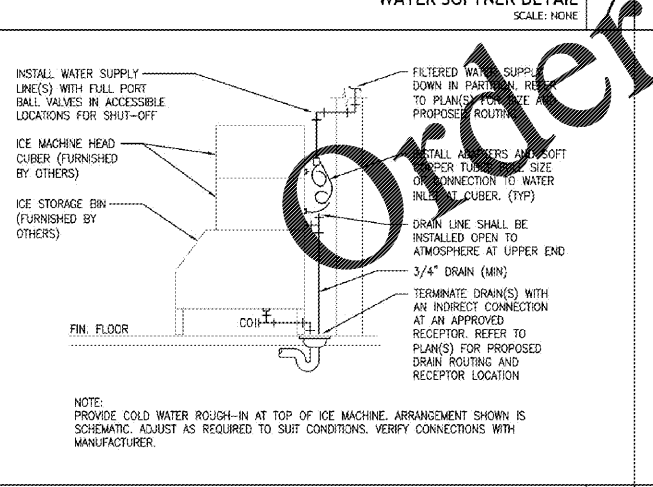
**KITCHEN EQUIPMENT GAS CONNECTION DETAIL**  
SCALE: NONE 8



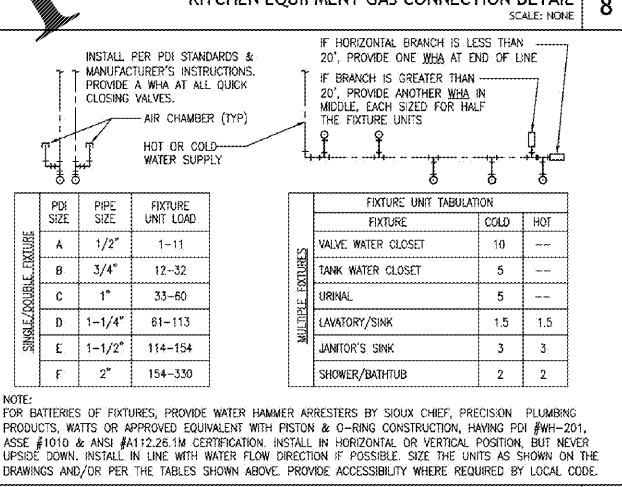
**GAS SERVICE DETAIL**  
SCALE: NONE 9



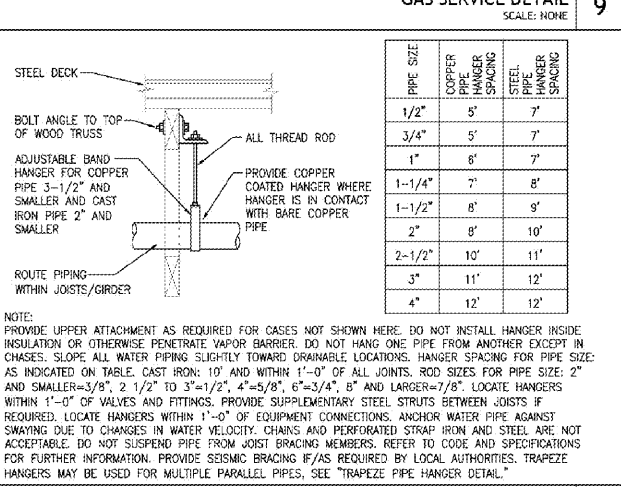
**FREEZER/ COOLER CONDENSATE DRAIN DETAIL**  
SCALE: NONE 10



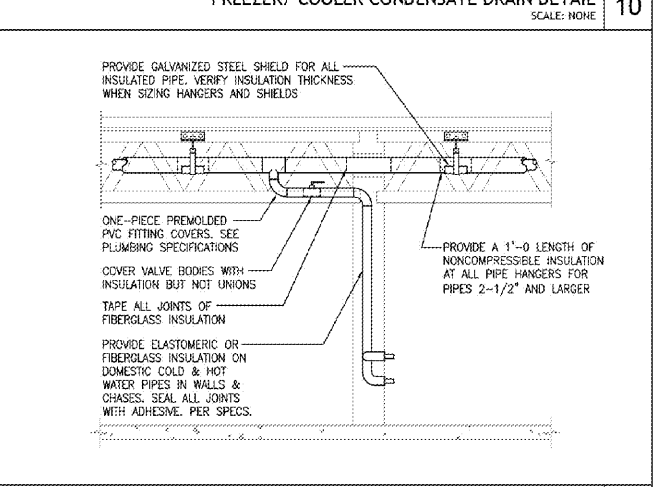
**ICE MACHINE CONNECTION DETAIL**  
SCALE: NONE 11



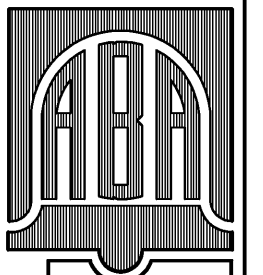
**WATER HAMMER ARRESTOR DETAIL**  
SCALE: NONE 12



**WOOD TRUSS PIPE HANGER DETAIL**  
SCALE: NONE 13



**WOOD TRUSS PIPE INSULATION DETAIL**  
SCALE: NONE 14



**BELL & ASSOCIATES ARCHITECTS**  
ALAN BELL, DOUG EIKENS  
MARK SMITH & THOM BELL  
alanbell@architect.com  
128 LAUREL ROAD  
CARROLLTON, GEORGIA 30117  
PHONE: (770) 850-8868 FAX: (770) 850-6060

REVISIONS	BY

NEW RESTAURANT FOR:  
  
VILLA RICA, GEORGIA

CONTRACTOR SHALL VERIFY ALL CONDITIONS AND DIMENSIONS BEFORE EXECUTING ANY WORK. THIS DOCUMENT IS THE SOLE PROPERTY OF ALAN BELL ARCHITECT AND SHALL NOT BE COPIED IN WHOLE OR IN PART WITHOUT EXPRESSED WRITTEN CONSENT FROM ALAN BELL ARCHITECT.



DATE: 1/28/2020  
SCALE: AS NOTED  
JOB NO.: 19-015-D01  
SHEET  
P4.1  
OF 7 SHEETS