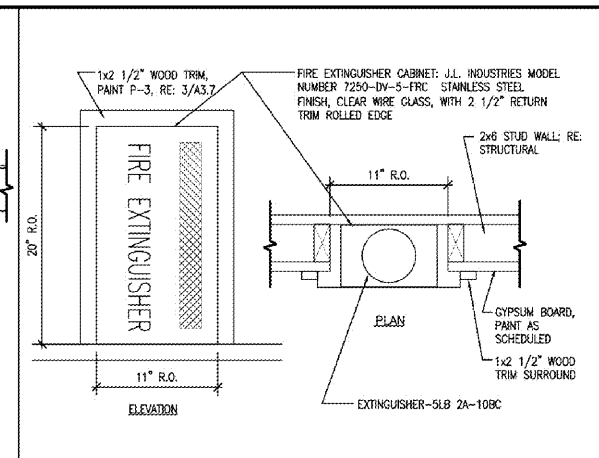
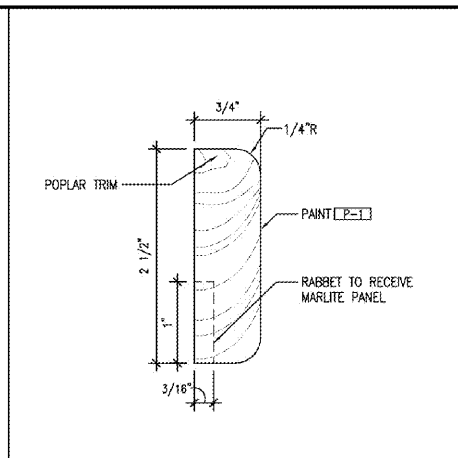


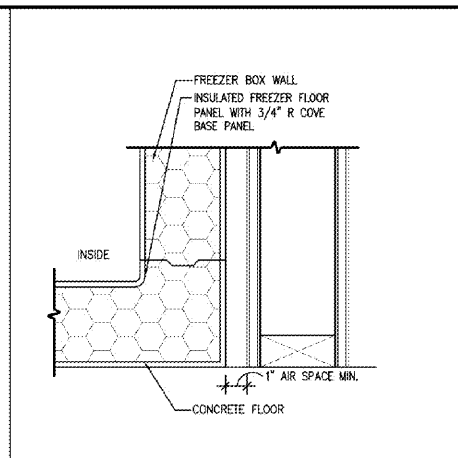
MOP SINK DETAIL
1 1/2"=1'-0"



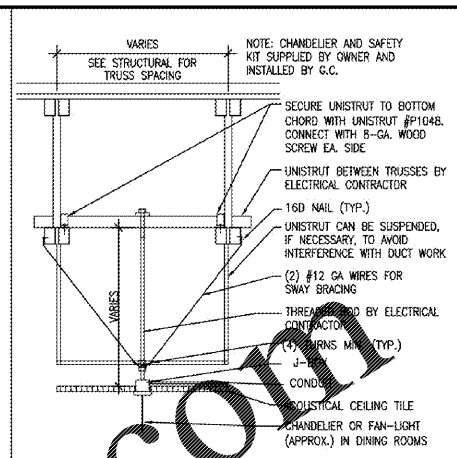
FIRE CABINET DETAIL
1 1/2"=1'-0"



TRIM DETAIL
FULL SIZE



BASE AT FREEZER DETAIL
3"=1'-0"



CHANDELIER SUPPORT DETAIL
1"=1'-0"

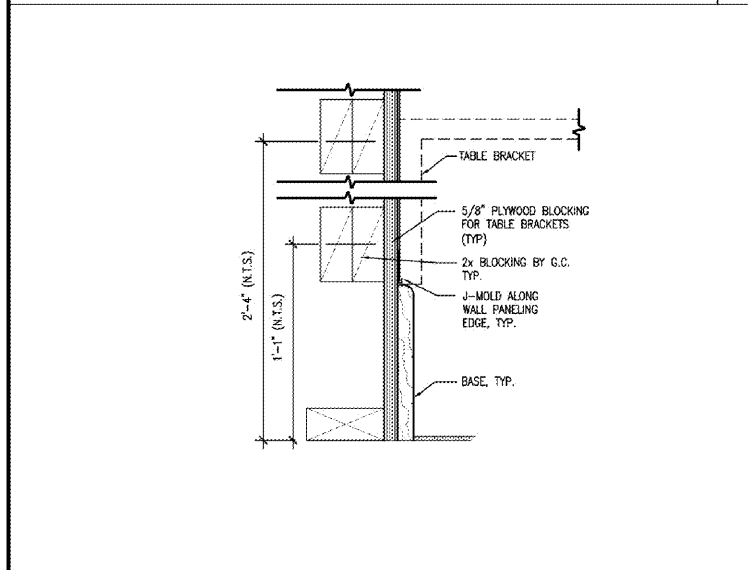
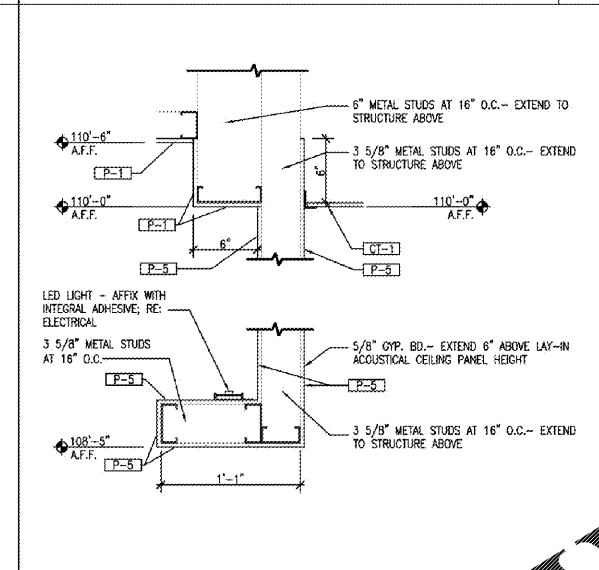
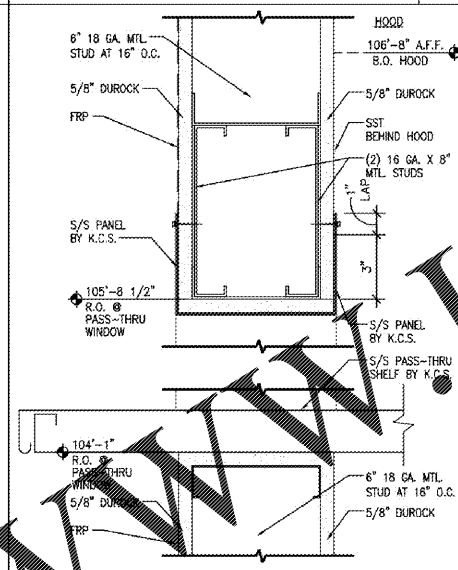


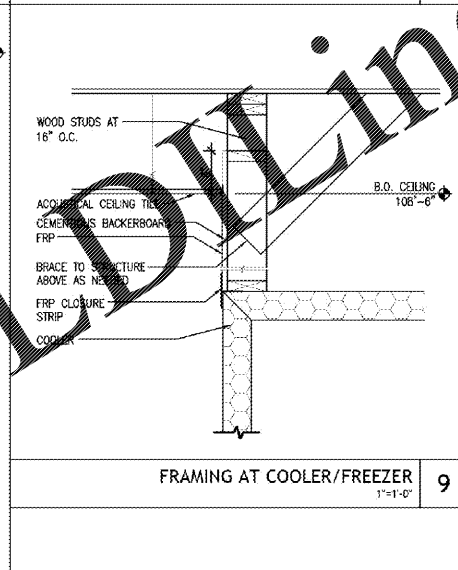
TABLE BRACKET SUPPORT
3"=1'-0"



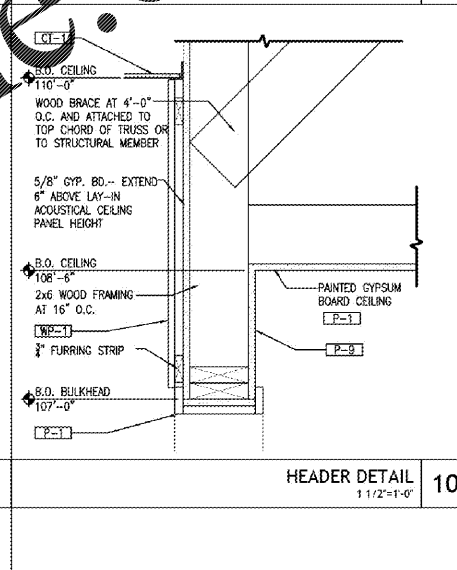
DINING SOFFIT DETAIL
1 1/2"=1'-0"



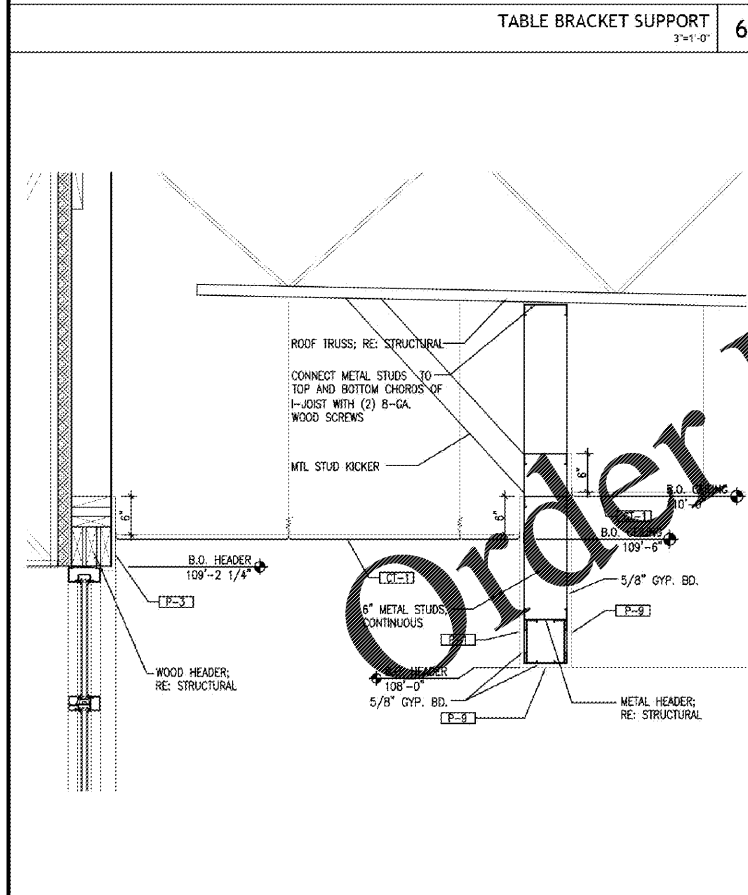
KITCHEN PASS-THROUGH DETAIL
3"=1'-0"



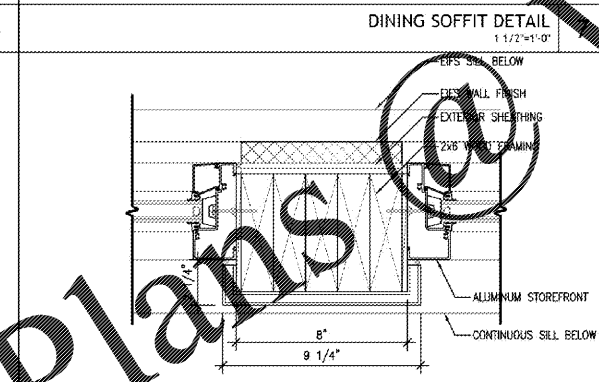
FRAMING AT COOLER/FREEZER
1"=1'-0"



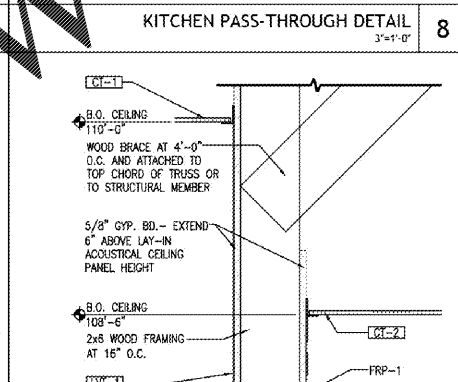
HEADER DETAIL
1 1/2"=1'-0"



DINING SOFFIT DETAIL
1"=1'-0"



WINDOW PILASTER DETAIL
3"=1'-0"



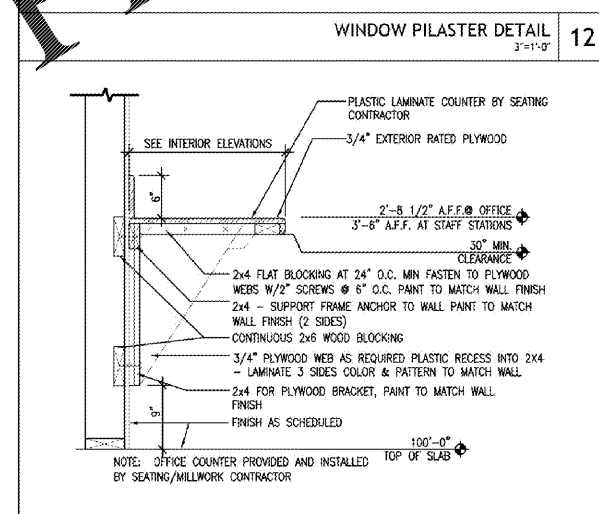
HEADER AT KITCHEN
1 1/2"=1'-0"



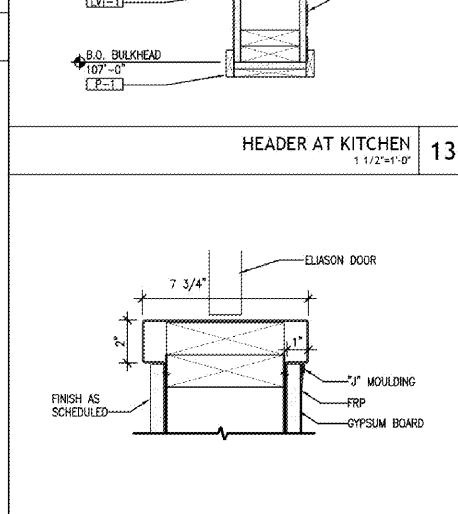
WATERPROOF MEMBRANE
3"=1'-0"



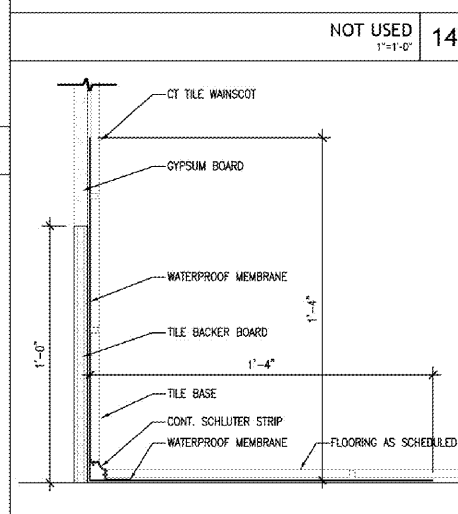
TRIM RETURN DETAIL
3"=1'-0"



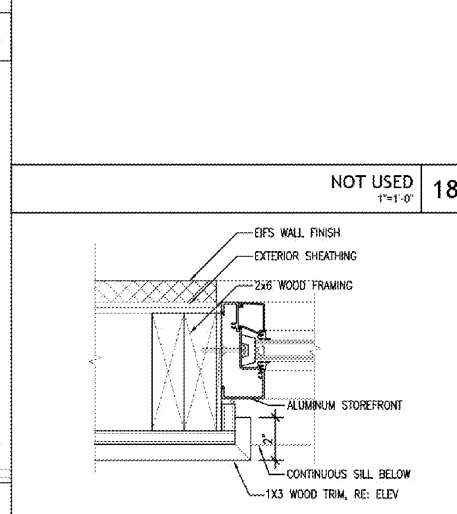
OFFICE & STAFF STATION COUNTER DETAIL
1"=1'-0"



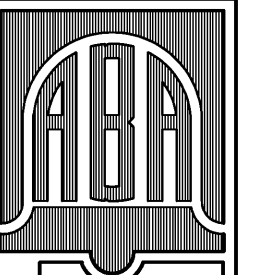
ELIASON JAM (HEAD SIM)
3"=1'-0"



NOT USED
1"=1'-0"



NOT USED
1"=1'-0"



BELL & ASSOCIATES ARCHITECTS
ALAN BELL, DOUG ELKINS, MARK SMITH, & TROY BELL
albell@bellarchitect.com
122 JUDWORTH ROAD
CLUSTON, GEORGIA 30117
PHONE: (770) 886-8888 FAX: (770) 886-5066

REVISIONS	BY

NEW RESTAURANT FOR:

VILLA RICA, GEORGIA

CONTRACTOR SHALL VERIFY ALL CONDITIONS AND DIMENSIONS BEFORE EXECUTING ANY WORK. THIS DOCUMENT IS THE SOLE PROPERTY OF ALAN BELL ARCHITECT AND SHALL NOT BE COPIED IN WHOLE OR IN PART WITHOUT EXPRESSED WRITTEN CONSENT FROM ALAN BELL ARCHITECT.



DATE: 1/28/2020
SCALE: AS NOTED
JOB NO.: 19-015-D01
SHEET
A3.1
OF 26 SHEETS