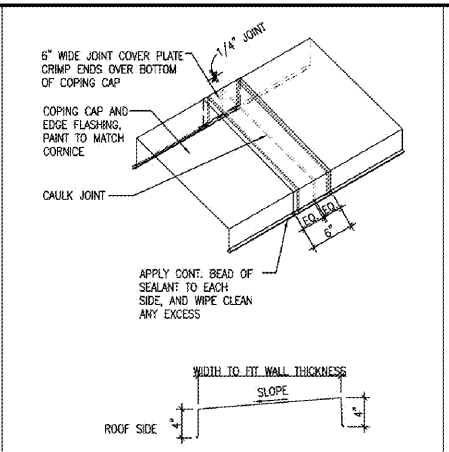
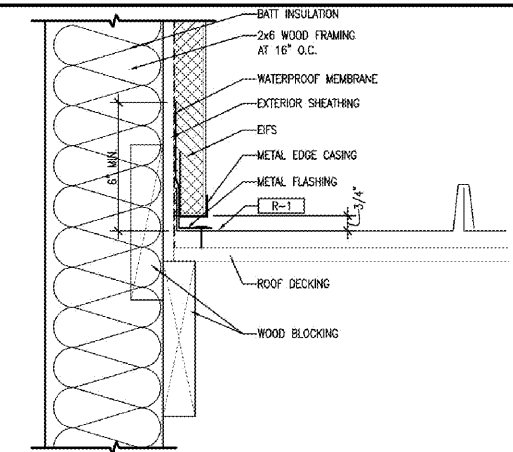


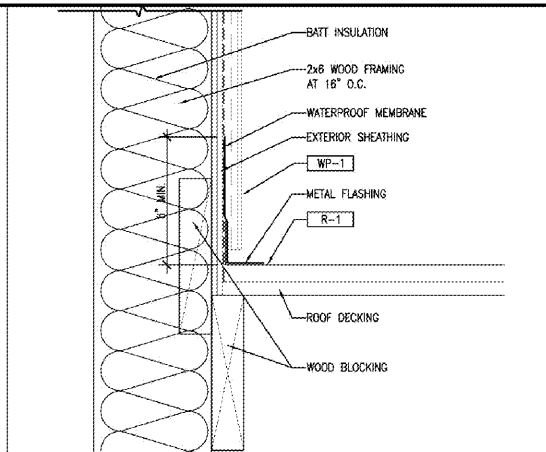
CURB DETAIL 1  
3/4" x 1'-0"



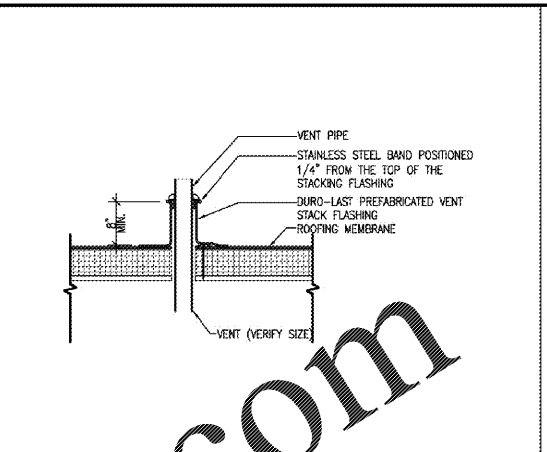
METAL CAP FLASHING 2  
1'-1"-0"



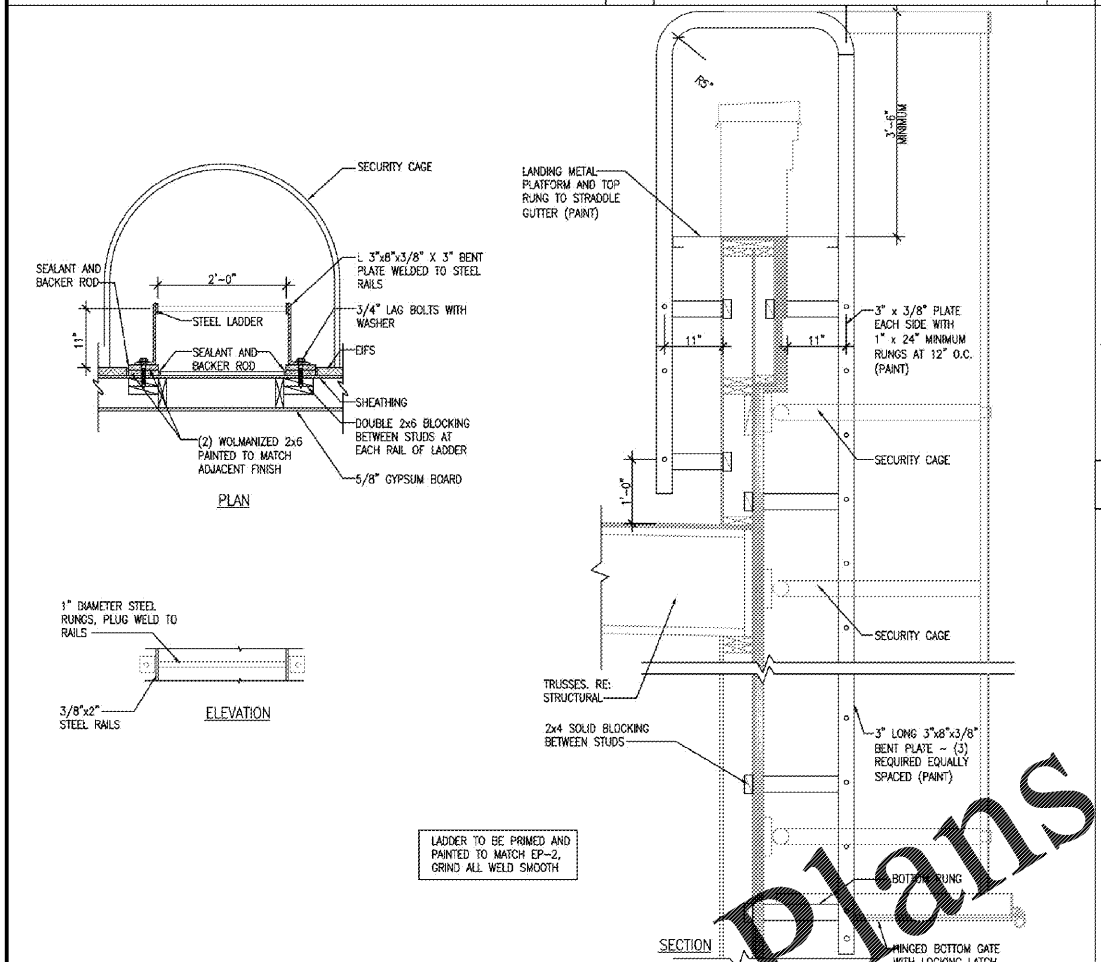
ROOF FLASHING @ EIFS 3  
3'-1"-0"



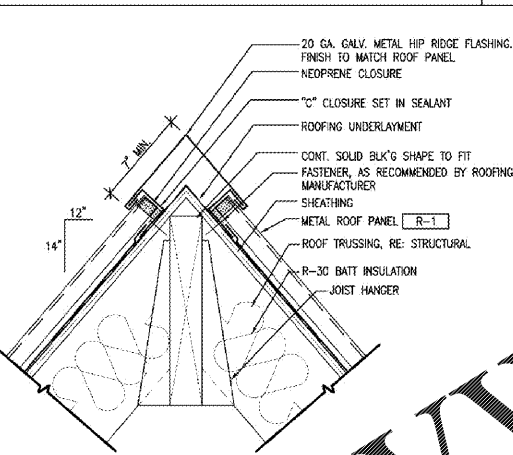
ROOF FLASHING @ WOOD PLANK 4  
3'-1"-0"



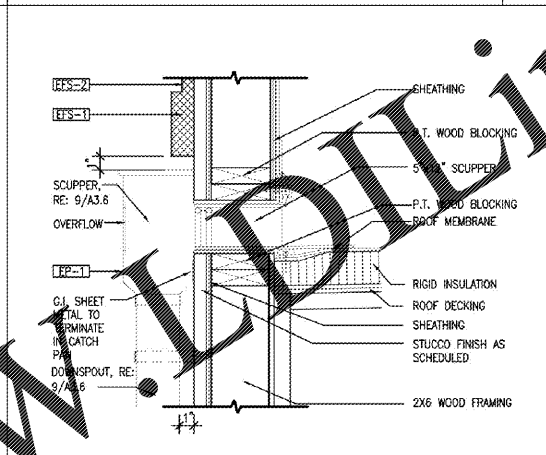
ROOF VENT DETAIL 5  
3/4" x 1'-0"



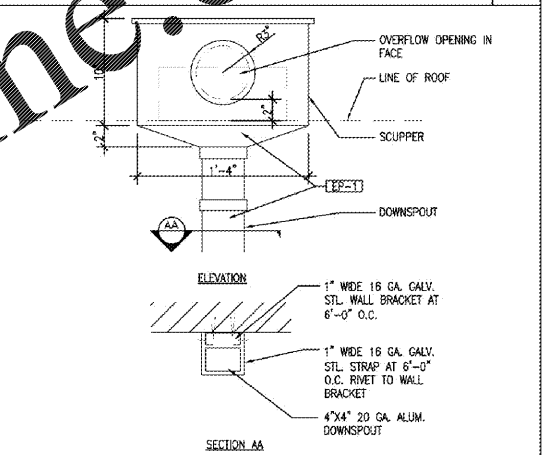
ROOF ACCESS LADDER DETAIL 6  
3/4" x 1'-0"



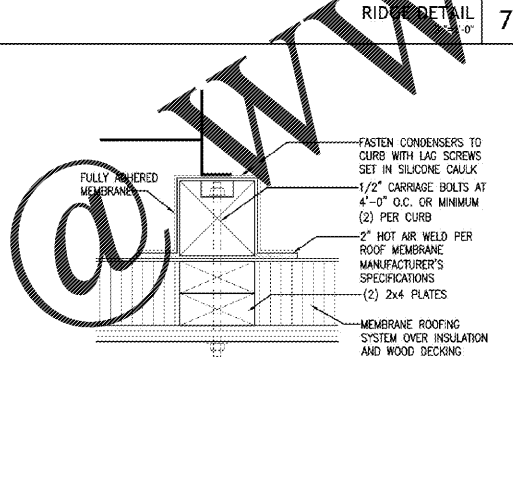
RIDGE DETAIL 7  
0"



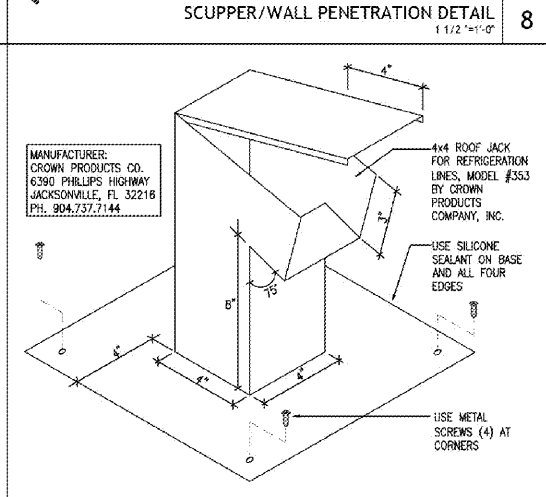
SCUPPER/WALL PENETRATION DETAIL 8  
1 1/2" x 1'-0"



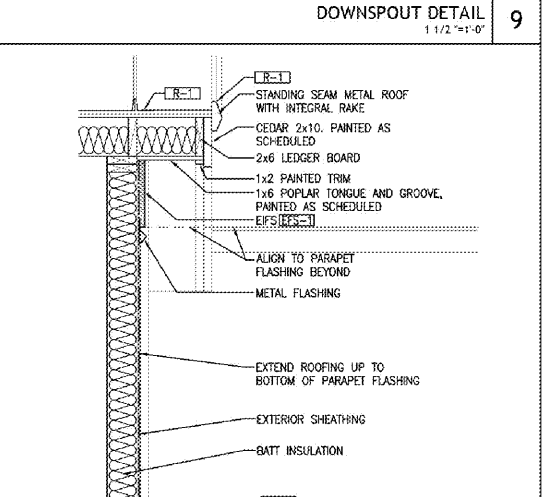
DOWNSPOUT DETAIL 9  
1 1/2" x 1'-0"



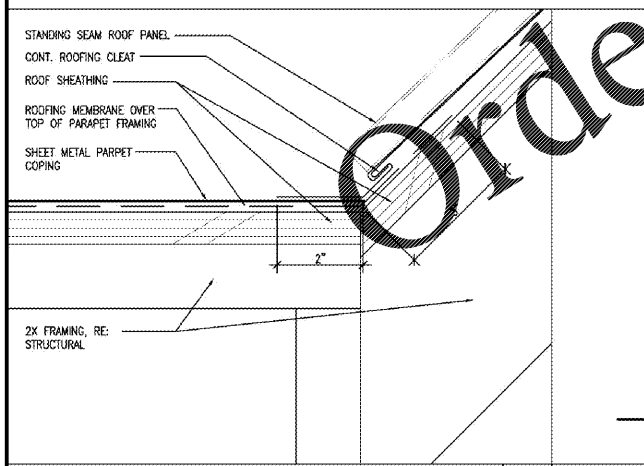
PLATFORM DETAIL 10  
3'-1"-0"



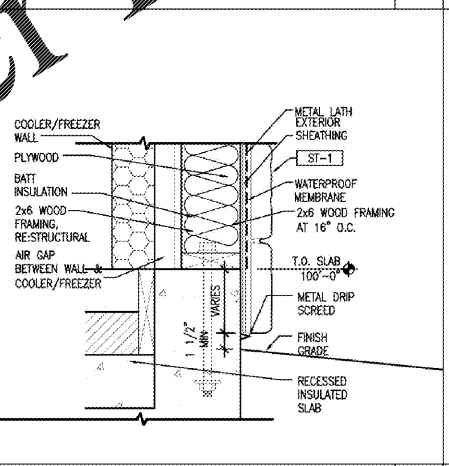
ROOF JACK DETAIL 11  
3'-1"-0"



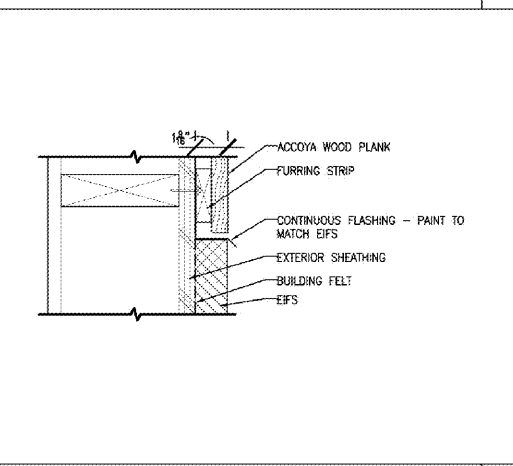
EIFS DETAIL 16  
3/4" x 1'-0"



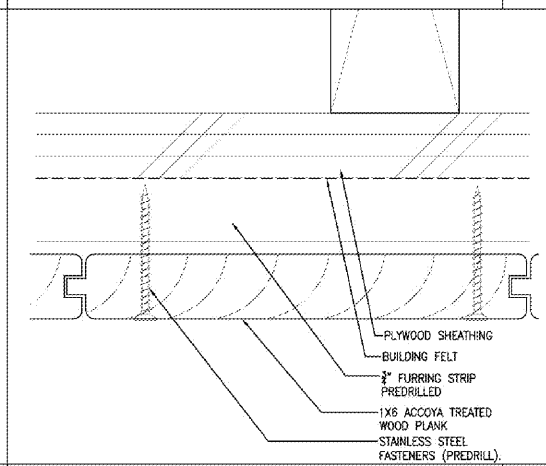
FLASHING DETAIL 12  
6'-2" x 1'-0"



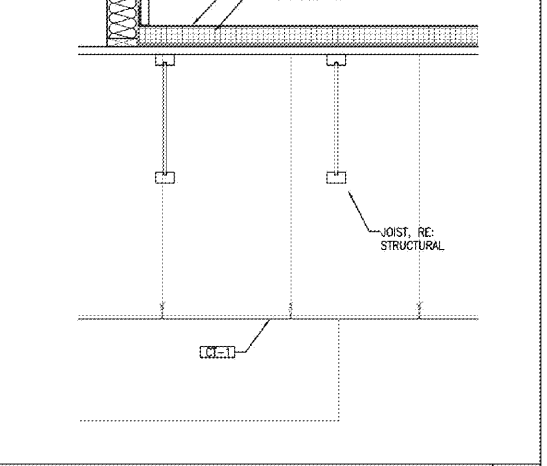
FOUNDATION DETAIL 13  
1 1/2" x 1'-0"



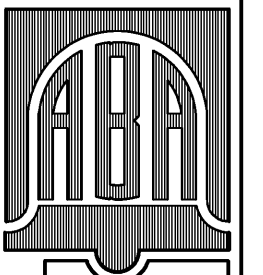
ACCOYA WOOD SYSTEM AT EIFS 14  
3'-1"-0"



ACCOYA WOOD SYSTEM DETAIL 15  
1'-0" x 1'-0"



EIFS DETAIL 16  
3/4" x 1'-0"



**BELL & ASSOCIATES ARCHITECTS**  
 ALAN BELL, DOUG ELKINS, MARK SMITH, & THOM BELL  
 alanbell@architect.com  
 128 LLOYDWOOD ROAD  
 CARROLLTON, GEORGIA 30117  
 PHONE: (770) 850.9866 FAX: (770) 850.6066

REVISIONS	BY

NEW RESTAURANT FOR:  
  
 VILLA RICA, GEORGIA

CONTRACTOR SHALL VERIFY ALL CONDITIONS AND DIMENSIONS BEFORE EXECUTING ANY WORK. THIS DOCUMENT IS THE SOLE PROPERTY OF ALAN BELL ARCHITECT AND SHALL NOT BE COPIED IN WHOLE OR IN PART WITHOUT EXPRESSED WRITTEN CONSENT FROM ALAN BELL ARCHITECT.



DATE: 1/28/2020  
 SCALE: AS NOTED  
 JOB NO.: 13-015-D01  
 SHEET  
**A3.6**  
 OF 26 SHEETS