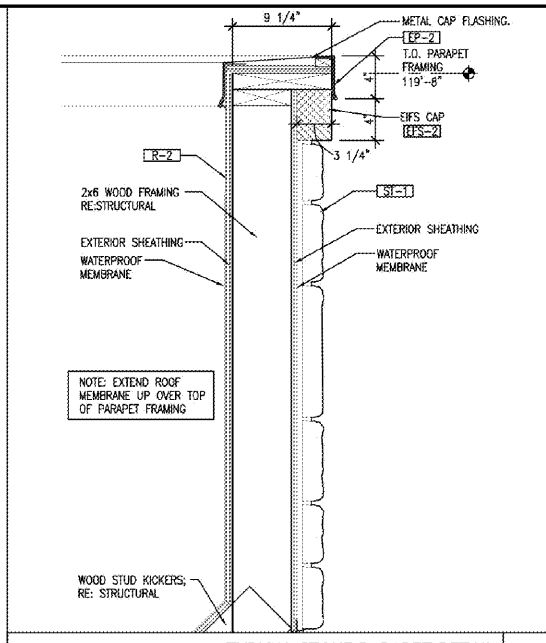
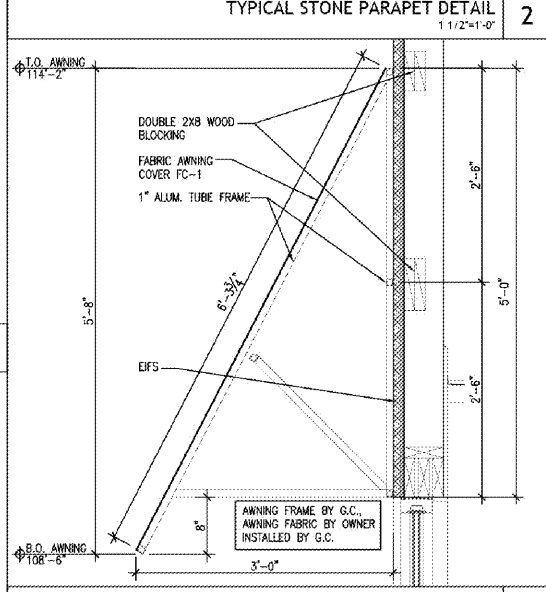


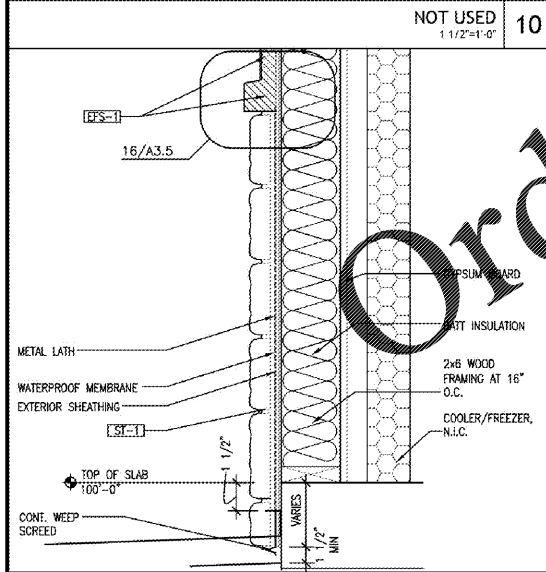
TYPICAL PARAPET DETAIL  
1 1/2" x 1'-0"



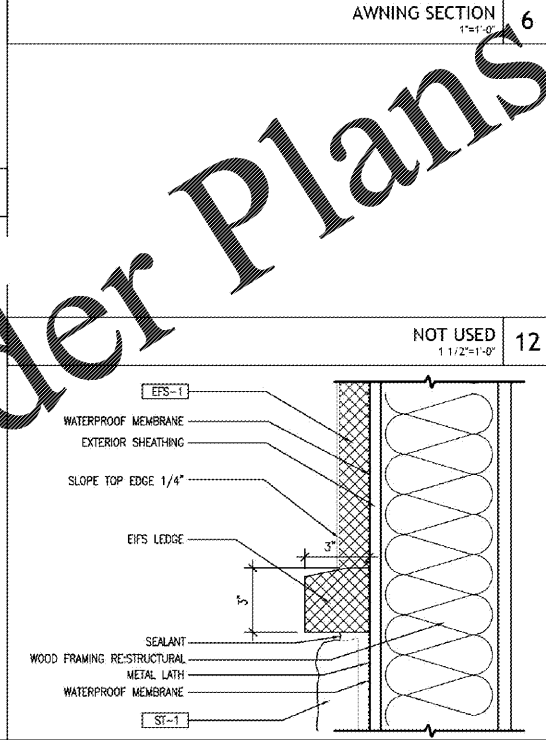
TYPICAL STONE PARAPET DETAIL  
1 1/2" x 1'-0"



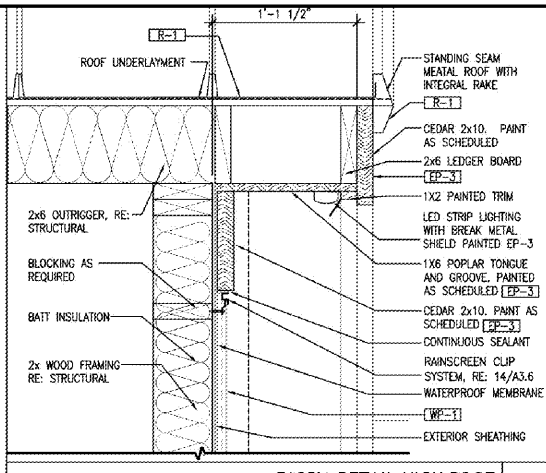
AWNING SECTION  
1'-1'-0"



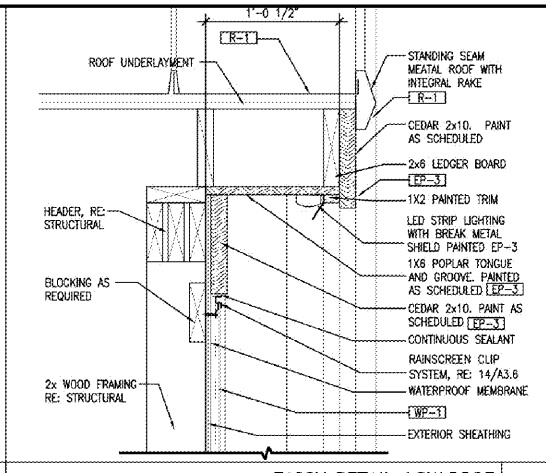
WATER TABLE DETAIL  
1 1/2" x 1'-0"



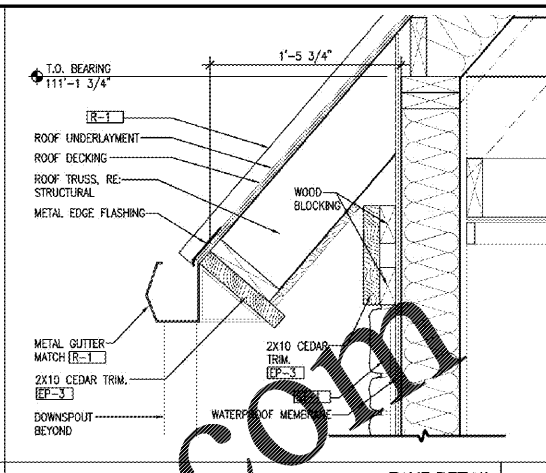
BRICK TO EIFS DETAIL  
3'-1'-0"



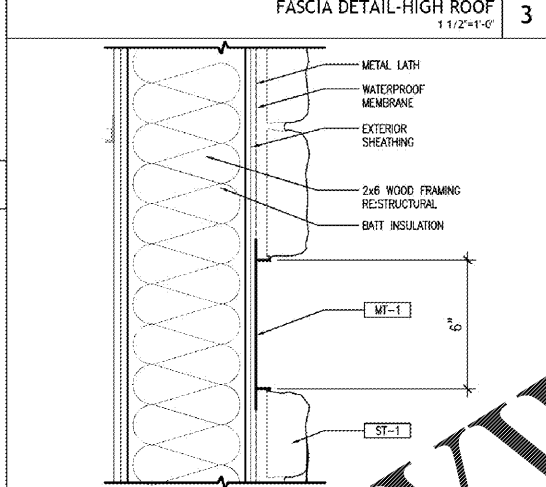
FASCIA DETAIL-HIGH ROOF  
1 1/2" x 1'-0"



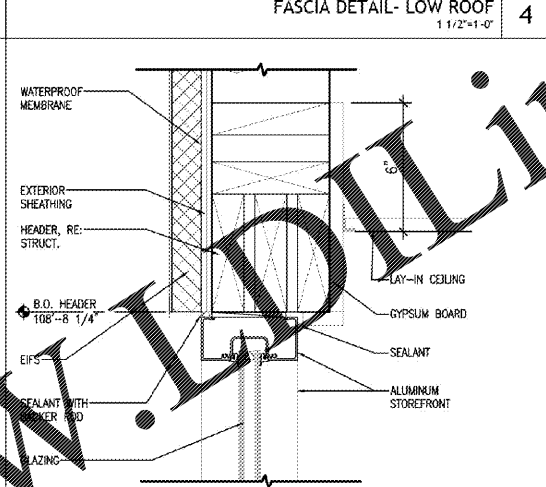
FASCIA DETAIL-LOW ROOF  
1 1/2" x 1'-0"



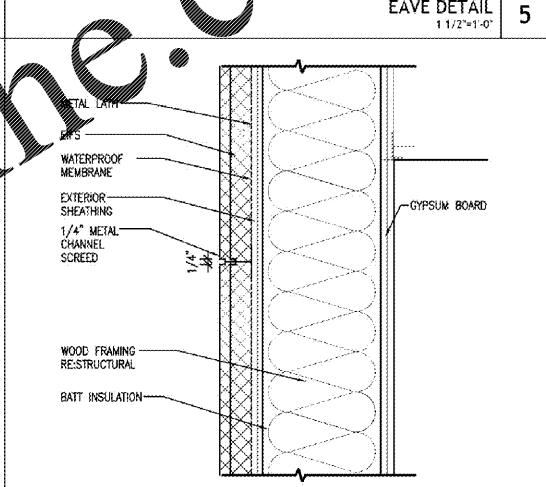
EAVE DETAIL  
1 1/2" x 1'-0"



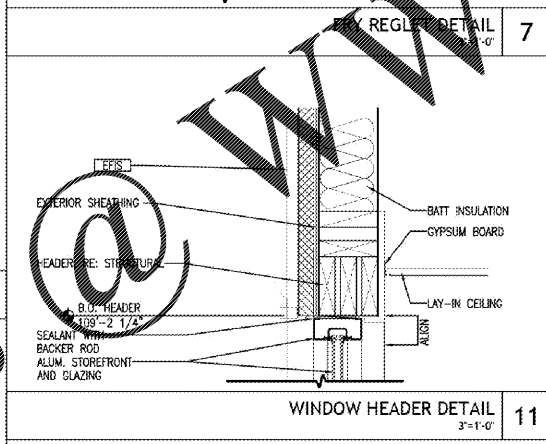
WINDOW HEADER DETAIL  
3'-1'-0"



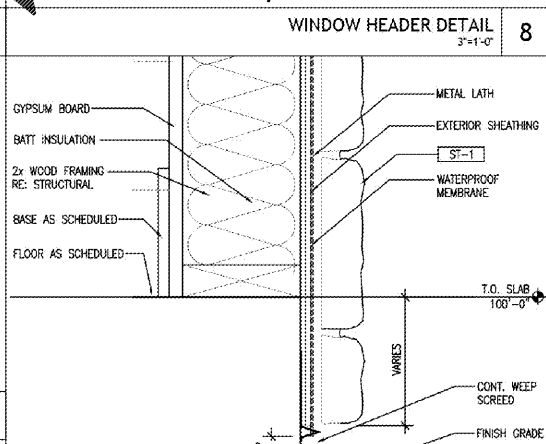
WINDOW HEADER DETAIL  
3'-1'-0"



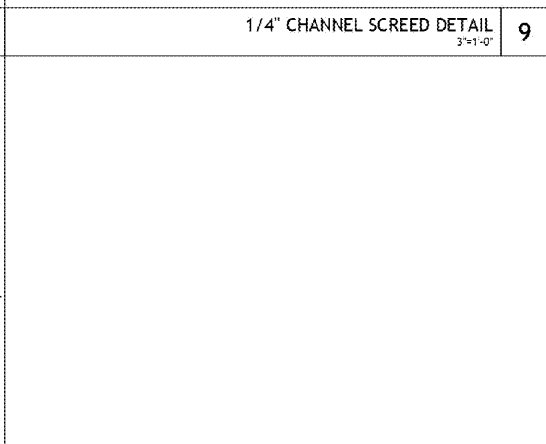
1/4" CHANNEL SCREED DETAIL  
3'-1'-0"



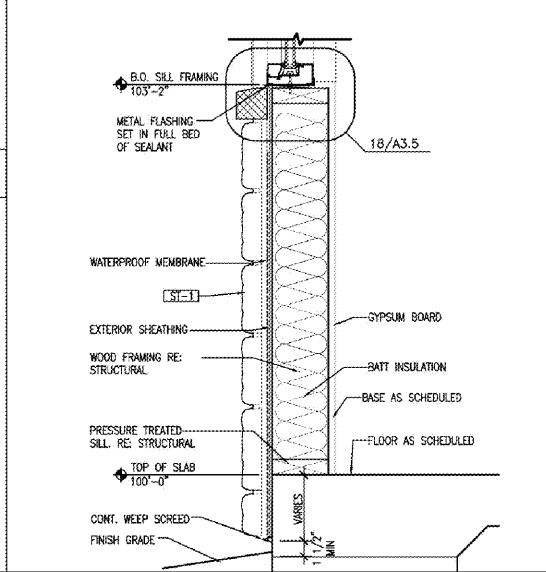
WINDOW HEADER DETAIL  
3'-1'-0"



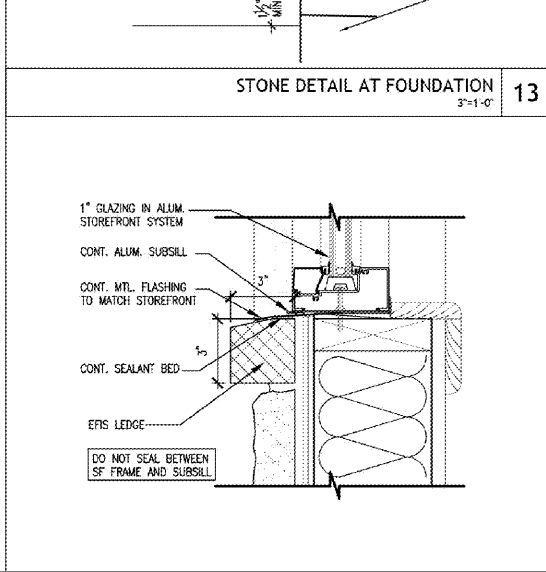
STONE DETAIL AT FOUNDATION  
3'-1'-0"



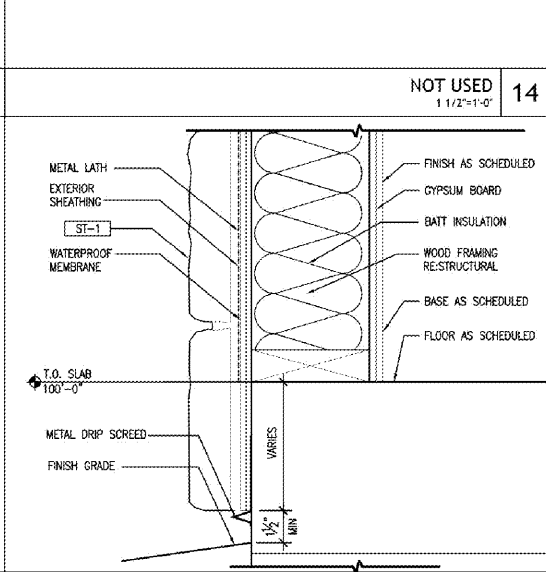
FOUNDATION DETAIL  
3'-1'-0"



WATER TABLE DETAIL  
1 1/2" x 1'-0"



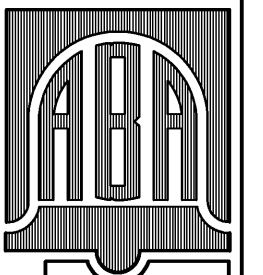
STOREFRONT SILL DETAIL  
3'-1'-0"



FOUNDATION DETAIL  
1 1/2" x 1'-0"

Order Plans

WWW.IDDLine.com



**BELL & ASSOCIATES ARCHITECTS**  
ALAN BELL, DOUG ELKINS, MARK SMITH, & TROY BELL  
alanbell@architect.com  
128 LAWYER ROAD  
CARROLLTON, GEORGIA 30137  
PHONE (770) 850-8856 FAX (770) 850-5056

REVISIONS	BY

NEW RESTAURANT FOR:  
  
VILLA RICA, GEORGIA

CONTRACTOR SHALL VERIFY ALL CONDITIONS AND DIMENSIONS BEFORE EXECUTING ANY WORK. THIS DOCUMENT IS THE SOLE PROPERTY OF ALAN BELL ARCHITECT AND SHALL NOT BE COPIED IN WHOLE OR IN PART WITHOUT EXPRESSED WRITTEN CONSENT FROM ALAN BELL ARCHITECT.



DATE: 1/28/2020  
SCALE: AS NOTED  
JOB NO.: 19-015-D01  
SHEET  
**A3.5**  
OF 26 SHEETS