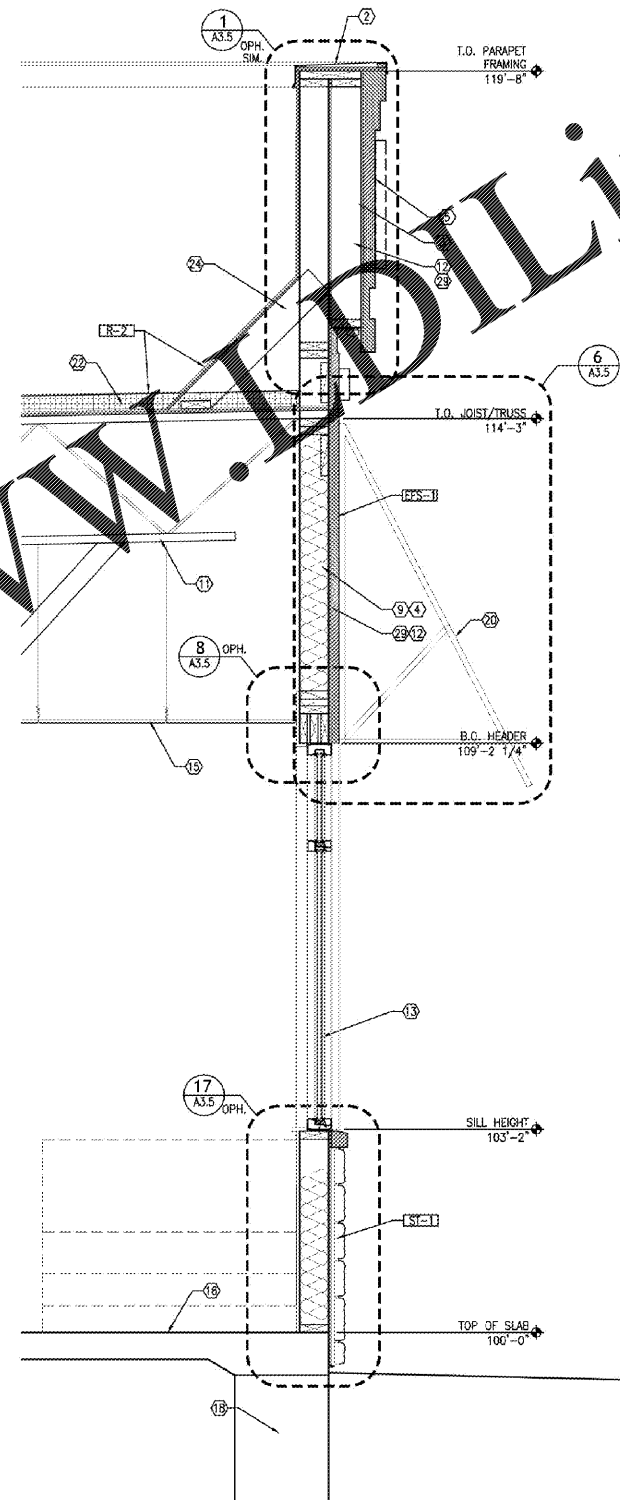


WALL SECTIONS 3/4"=1'-0" 1

LOBBY AND ENTRY LOBBY HAVE MOVED TO WEST ELEVATION. REFER TO SHEET A1.0 FOR UPDATED LAYOUT AND W14X53 STEEL BEAM PLACEMENT



WALL SECTIONS 3/4"=1'-0" 2

- KEY NOTES:**
- STONE VENEER BEYOND
  - METAL CAP FLASHING; RE: 2/A3.6
  - EFS VENEER
  - 2x4 FRAMING; RE: STRUCTURAL
  - BUILDING SIGNAGE BY SIGN CONTRACTOR
  - METAL GLITTER POWDER COATED TO MATCH R-1
  - CEDAR TRIM
  - TONGUE AND GROOVE POPLAR SOFFIT
  - R-19 BATT INSULATION
  - R-30 BATT INSULATION
  - WOOD JOIST / TRUSS; RE: STRUCTURAL
  - EXTERIOR SHEATHING
  - ALUMINUM STOREFRONT WINDOW
  - DOOR AS SCHEDULED
  - CEILING AS SCHEDULED
  - FLOORING AS SCHEDULED
  - ROOF SHEATHING
  - FOUNDATION; RE: STRUCTURAL
  - LIGHT FIXTURE; RE: ELECTRICAL
  - PREFINISHED AWNING; PROVIDED BY OWNER. TO COORDINATE BLOCKING.
  - METAL GLITTER AND POWDER COATED TO MATCH EFS-1
  - R-30 POLYURETHANE ROOF INSULATION
  - 2 1/2" x 1/4" POPLAR TRIM
  - WOOD FRAMING; RE: STRUCTURAL
  - NOT USED
  - LINE OF EGRESS OUT BEYOND
  - WALK IN COOLER/FREEZER BY KEC.
  - PREFINISHED CANOPY, PROVIDED BY OWNER. G.C. TO COORDINATE BLOCKING.
  - WATERPROOFING MEMBRANE
  - 1/4" CHANNEL SCREED, REFER TO 3/A3.5
  - WOOD POST; RE: STRUCTURAL
  - WOOD BEAM; RE: STRUCTURAL
  - 2x4 WOOD FRAMING
  - TONGUE & GROOVE PLANKS, SET PERPENDICULAR TO JOISTS
  - EFS SHAPED CAP
  - MDO PLYWOOD WRAP; MITER CORNERS

**EXTERIOR PAINT**

EP-1	BALANCED BEIGE	SHERWIN WILLIAMS
EP-2	SYCAMORE TAN	SHERWIN WILLIAMS
EP-3	FIREWORKS (RED)	SHERWIN WILLIAMS

**EXTERIOR WALL FINISHES**

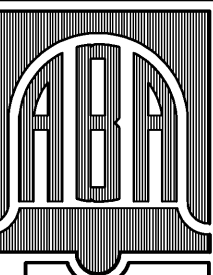
EFS-1	BALANCED BEIGE	STO	STO STRATEGIC ACCOUNTS 900-221-2397
EFS-2	SYCAMORE TAN	STO	STO STRATEGIC ACCOUNTS 900-221-2397
ST-1	GOLDEN BUCKEYE CULTURED STONE	BORAL STONE	770.645.4531

**ROOFING**

R-1	STANDING SEAM METAL ROOFING	WCELROY METAL	217.821.2223
R-2	DURGLAST ROOFING	DURGLAST	800-248-0280

**MISC. EXTERIOR**

WP-1	WOOD PLANK WALL SYSTEM	ACCOYA	972.233.6565
MT-1	METAL REVEAL	FRY REGLET	800-237-9773
FC-1	FABRIC AWNING "REGATTA"	SUNBRELLA	336.227.6211
SC-1	STAMPED CONCRETE	SPECIALTY CONCRETE PRODUCTS	800.533.4702
ASF-1	ALUMINUM STOREFRONT DK BRONZE	KAWNEER (OR EQUAL)	



**BELL & ASSOCIATES ARCHITECTS**  
 ALAN BELL, DOUG ECKINS, MARY SMITH & TROY BELL  
 alanbellarchitect.com  
 122 LAYVORN ROAD  
 CARROLLTON, GEORGIA 30177  
 PHONE (770) 850.8666 FAX (770) 850.5066

REVISIONS BY


NEW RESTAURANT FOR:  
  
 VILLA RICA, GEORGIA

CONTRACTOR SHALL VERIFY ALL CONDITIONS AND DIMENSIONS BEFORE EXECUTING ANY WORK. THIS DOCUMENT IS THE SOLE PROPERTY OF ALAN BELL ARCHITECT AND SHALL NOT BE COPIED IN WHOLE OR IN PART WITHOUT EXPRESSED WRITTEN CONSENT FROM ALAN BELL ARCHITECT.



DATE: 1/28/2020  
 SCALE: AS NOTED  
 JOB NO.: 19-015-D07  
 SHEET  
 A3.2  
 OF 26 SHEETS