

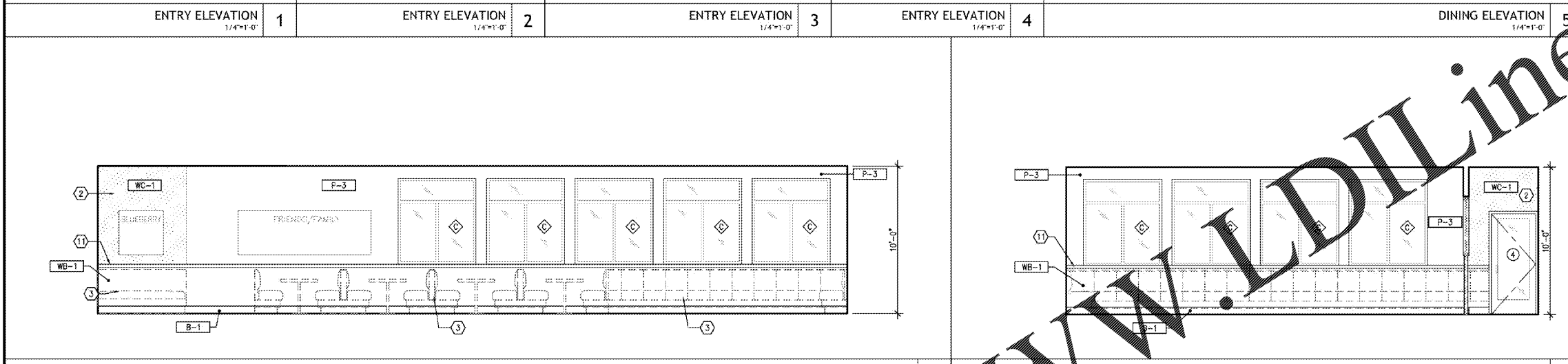
ENTRY ELEVATION 1
1/4"=1'-0"

ENTRY ELEVATION 2
1/4"=1'-0"

ENTRY ELEVATION 3
1/4"=1'-0"

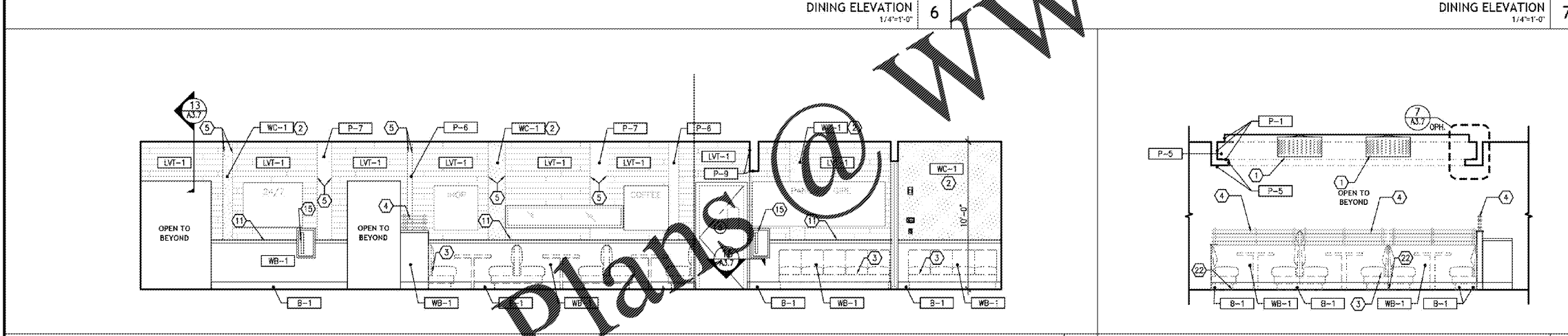
ENTRY ELEVATION 4
1/4"=1'-0"

DINING ELEVATION 5
1/4"=1'-0"



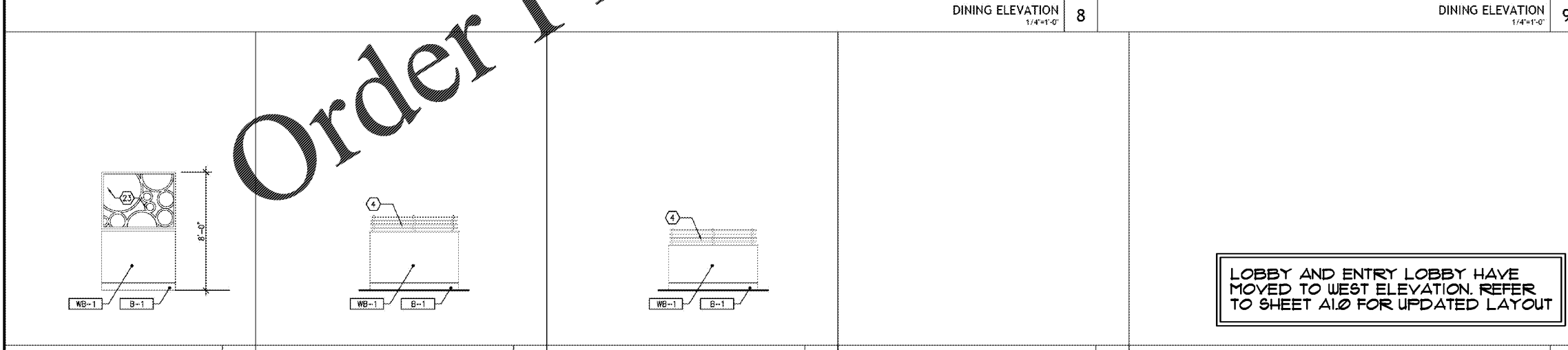
DINING ELEVATION 6
1/4"=1'-0"

DINING ELEVATION 7
1/4"=1'-0"



DINING ELEVATION 8
1/4"=1'-0"

DINING ELEVATION 9
1/4"=1'-0"



BUBBLE PARTITION 10
1/4"=1'-0"

WOOD SLAT PARTITION 11
1/4"=1'-0"

WOOD SLAT PARTITION 12
1/4"=1'-0"

NOT USED 13
1/4"=1'-0"

NOT USED 14
1/4"=1'-0"

- KEY NOTES:**
- 1 LIGHT FIXTURES, RE: ELECTRICAL
 - 2 HATCHED AREA INDICATES AREA TO BE PREPPED FOR WALL COVERING
 - 3 BOOTHS AND SEATING, RE: MILLWORK
 - 4 WOOD SLAT DIVIDER; RE: MILLWORK
 - 5 SCHLUTER STRIP- JOLLY-AC (A-30) COLOR: HB LIGHT BEIGE
 - 6 PANEL INFILL, RE: 18/A3.7
 - 7 CORNER GUARDS BY K.E.C.
 - 8 HOOD, RE: MECHANICAL
 - 9 ELECTRICAL PANELS; RE: ELECTRICAL
 - 10 MOP SINK, RE: 01/A3.7
 - 11 WOOD TRIM, RE: 3/A3.7, (19/A3.7 AT JAMB), PAINT P-1
 - 12 CEILING FAN, RE: ELECTRICAL
 - 13 HOSTESS CABINET BY MILLWORK
 - 14 LINE OF WINDOWS AT WALL BEYOND BULKHEAD
 - 15 FIRE EXTINGUISHER CABINET, RE: 2/A3.7
 - 16 SAFE BY KEC
 - 17 CEILING BEYOND
 - 18 STAFF STATION RE: 15/A3.7 SH
 - 19 ADJUSTABLE KV BRACKETS & SHELVING
 - 20 2'X2' ACCESS PANEL, PAINT MATCH ADJACENT CEILING
 - 21 WALL MOUNTED TELEVISION, PRANDE WOOD WALL BACKING
 - 22 QUARTER ROUND MOULDING
 - 23 ACRYLIC PANEL BLUE, RE: MILLWORK
 - 24 TRIPPLICATE MODEL SERWZEUS DATA CABINET

FINISH SCHEDULE

BASE	
B-1	RUBBER BASE JOHNSONITE
B-2	SAFETY FLOORING BASE PROJECT-ALL FLOORING 800.544.9538

WAINSCOT AND WALLS

WB-1	CUSTOM SORELL WALLBOARD	MARLITE (562) 926-7208
LVT-1	VINYL TILE WALL COVERING	PARTERRE
WT-1	ST. GERMAN PORCELAIN WALL TILE	AMERICAN CLEAN JOHN FLUNK: 913.573.0578
SS	STAINLESS STEEL PANELS	BY K.E.C.
FRP-1	POLAR WHITE F.R.P.	MARLITE
WC-1	DECOR WALL COVERING (RED)	DIGITAL NICHE
WC-2	DECOR WALL COVERING (BLUE)	DIGITAL NICHE

CEILING

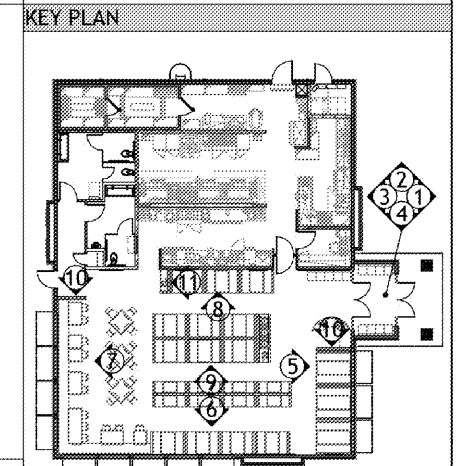
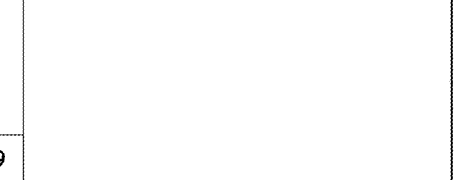
CT-1	WHITE 2x2 CEILING PANELS	LOCAL USG DISTRIBUTOR 877-874-4200
CT-2	WHITE 2x4 VINYL FACED, NON-PERFORATED CEILING PANEL	LOCAL USG DISTRIBUTOR 877-874-4200

INTERIOR PAINT AND STAIN

P-1	PURE WHITE (LATEX MATTE)	SHERWIN WILLIAMS
P-3	NEGA GRIEKE (LATEX MATTE)	SHERWIN WILLIAMS
P-4	SCRUBTONGH DOOR TRIM	WOLF GORDON SCUFFMASTER
P-5	COPPER MOUNTAIN (LATEX MATTE)	SHERWIN WILLIAMS
P-6	DYNAMIC BLUE (LATEX MATTE)	SHERWIN WILLIAMS
P-7	BLUE CHIP (LATEX MATTE)	SHERWIN WILLIAMS
P-8	SCRUBTONGH DOOR TRIM	WOLF GORDON SCUFFMASTER
P-9	FOLKSTONE (LATEX MATTE)	SHERWIN WILLIAMS
WS-1	WOOD STAIN	

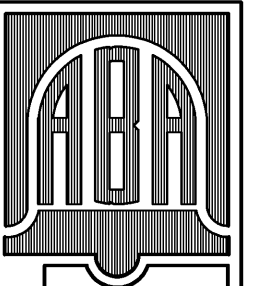
MISC. INTERIOR

PL-1	CHOCOLATE WARP-PLASTIC LAMINATE	FORMICA - RICHELLE SMITH 816.377.6235
PL-2	BARLEY-PLASTIC LAMINATE	NEVAMAR- WENDY EYMEZ 816.536.6575
GMT-1	GLASS MOSAIC TILE	ROCA TILE - CHRISTINA DORDAS 708.910.2368
WN-1	CHARCOAL WINDOW SHADE	VAG RECOURCES
SS-1	HOSTESS COUNTER TOP	DUPONT: 314.941.5179



LOBBY AND ENTRY LOBBY HAVE MOVED TO WEST ELEVATION. REFER TO SHEET A10 FOR UPDATED LAYOUT

Order Plans @ WWW.LDILine.com



BELL & ASSOCIATES ARCHITECTS
ALAN BELL DOUG ELKINS
MARK SMITH & TROY BELL
alabelarchitect.com
128 LAYTON ROAD
CARROLLTON, GEORGIA 30117
PHONE (770) 850-8866 FAX (770) 850-9066

REVISIONS BY

NO.	DATE	BY	DESCRIPTION

NEW RESTAURANT FOR:

VILLA RICA, GEORGIA

CONTRACTOR SHALL VERIFY ALL CONDITIONS AND DIMENSIONS BEFORE EXECUTING ANY WORK. THIS DOCUMENT IS THE SOLE PROPERTY OF ALAN BELL ARCHITECT AND SHALL NOT BE COPIED IN WHOLE OR IN PART WITHOUT EXPRESSED WRITTEN CONSENT FROM ALAN BELL ARCHITECT.



DATE: 1/28/2010
SCALE: AS NOTED
JOB NO.: 18-015-D01
SHEET
A2.2
OF 26 SHEETS