

BELL & ASSOCIATES ARCHITECTS
 ALAN BELL, DOUG ELKINS
 MARK SMITH, & TROY BELL
 alanbellarchitect.com
 128 JAYVORN ROAD
 CARROLLTON, GEORGIA 30115
 PHONE (770) 850-8866 FAX (770) 850-1066

| REVISIONS BY | DATE |
|--------------|------|
| | |
| | |

NEW RESTAURANT FOR:
 VILLA RICA, GEORGIA

CONTRACTOR SHALL VERIFY ALL CONDITIONS AND DIMENSIONS BEFORE EXECUTING ANY WORK. THIS DOCUMENT IS THE SOLE PROPERTY OF ALAN BELL ARCHITECT AND SHALL NOT BE COPIED IN WHOLE OR IN PART WITHOUT EXPRESSED WRITTEN CONSENT FROM ALAN BELL ARCHITECT.



DATE: 1/28/2020
 SCALE: AS NOTED
 JOB NO.: 19-015-D01
 SHEET
 A1.7
 OF 26 SHEETS

GENERAL NOTES

- 1/4" GAP MAX GAP AT DOORS TO PARTITION.
- PROVIDE WOOD BLOCKING FOR ALL ACCESSORIES AND ANCHOR WITH TOGGLE BOLTS OR LAG SCREWS - NO PLASTIC EXPANSION SHIELDS.
- PROVIDE WALL BUMPER (ROCKWOOD #400) AT TOILET STALL DOORS WHERE THEY CAN CONTACT WALLS.
- REFER TO PLUMBING DRAWINGS FOR SPECS OF ALL WATER CLOSETS, LAVATORIES AND URINALS.
- ALL EXPOSED PIPING TO BE INSULATED AS PER ADA REQUIREMENTS.
- REFER TO ELECTRICAL DRAWINGS FOR EXACT LOCATIONS OF DATA PORTS AND OUTLETS.
- REFER TO DETAIL 14/A1.7 FOR ALL MOUNTING AND DIMENSIONING FOR PLUMBING FIXTURES.
- ALL ITEMS IN THE RESTROOM THAT ARE STATED TO BE PROVIDED BY OWNER ARE TO BE INSTALLED BY G.C. UNLESS NOTED OTHERWISE.
- TOILET PARTITIONS TO BE HPL, FLOOR MOUNTED AND OVERHEAD BRACED, COLOR: SPICED ZEPHYR, (#4859) W/ BLACK EDGE BAND AND SLIDE LATCH, BUMPER AND KEEPER. OWNER WILL PROVIDE HINGE GUARDS AND G.C. TO INSTALL.

KEY NOTES:

- HANDICAP ACCESSIBLE SIGN, RE: 16/A1.7
- 1/2"x3/4" WOOD TRIM, RE: 17
- TOILET PARTITIONS SHOULD REMOVED FOR CLEANING
- LIGHTING FIXTURES, RE: ELECTRICAL

TOILET ACCESSORY SCHEDULE

| TAG | ITEM | DESCRIPTION |
|------|----------------------------|--|
| TA1 | GRAB BARS (36") | BOBRICK MODEL #B-6806 X 36 |
| TA2 | GRAB BARS (42") | BOBRICK MODEL #B-6806 X 42 |
| TA3 | DOUBLE HANDISSUE DISPENSER | SURFACE MOUNTED, PROVIDED BY OWNER |
| TA4 | PAPER TOWEL DISPENSER | EMOTION PAPER TOWEL DISPENSER, PROVIDED BY OWNER |
| TA5 | SOAP DISPENSER | LAVATORY MOUNTED, PROVIDED BY OWNER |
| TA6 | LAVATORIES | WALL MOUNTED LAVATORY, RE: PLUMBING |
| TA7 | BABY CHANGING TABLE | BOBRICK KOALA KARE MODEL #KB101 (CREME) |
| TA8 | FRAMED MIRROR (24X36) | #143-21, COLOR ESPRESSO (2" THICK) |
| TA9 | TOILET PARTITION | BOBRICK WASHROOM EQUIPMENT. FOR ADDITIONAL INFORMATION, SEE NOTE 9 |
| TA10 | COAT HOOK | BOBRICK MODEL #B-212 |
| TA11 | FEMININE NAPKIN DISPOSAL | BOBRICK MODEL #B-254 (SURFACE) |

FLOOR

| | | |
|------|-----------------------------|-----------------------------------|
| FT-1 | WILLOW BEND PORCELAIN TILE | DALTILE: 816.785.7268 |
| SF-1 | SAFETY FLOORING | PROJECT-ALL FLOORING 803.544.9538 |
| WM-1 | WALK-OFF MAT | MATS INC. 781.573.0228 |
| F-1 | EXPOSED CONCRETE (UNSEALED) | |

BASE

| | | |
|-----|----------------------|-----------------------------------|
| B-1 | RUBBER BASE | JOHNSONITE |
| B-2 | SAFETY FLOORING BASE | PROJECT-ALL FLOORING 803.544.9538 |

WAINSCOT AND WALLS

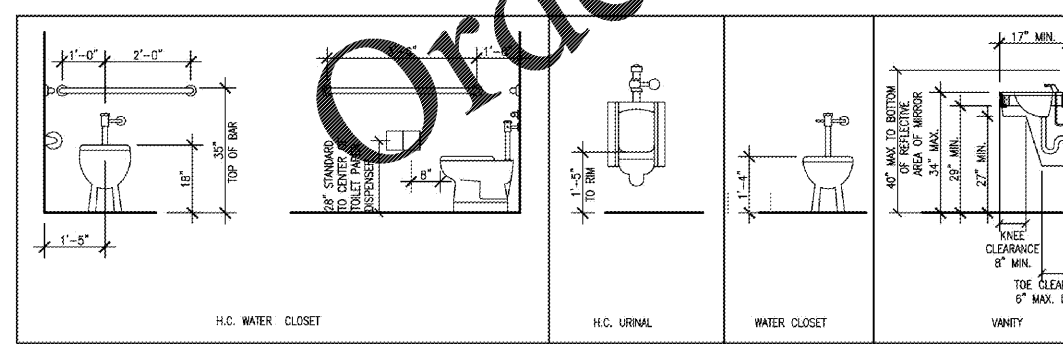
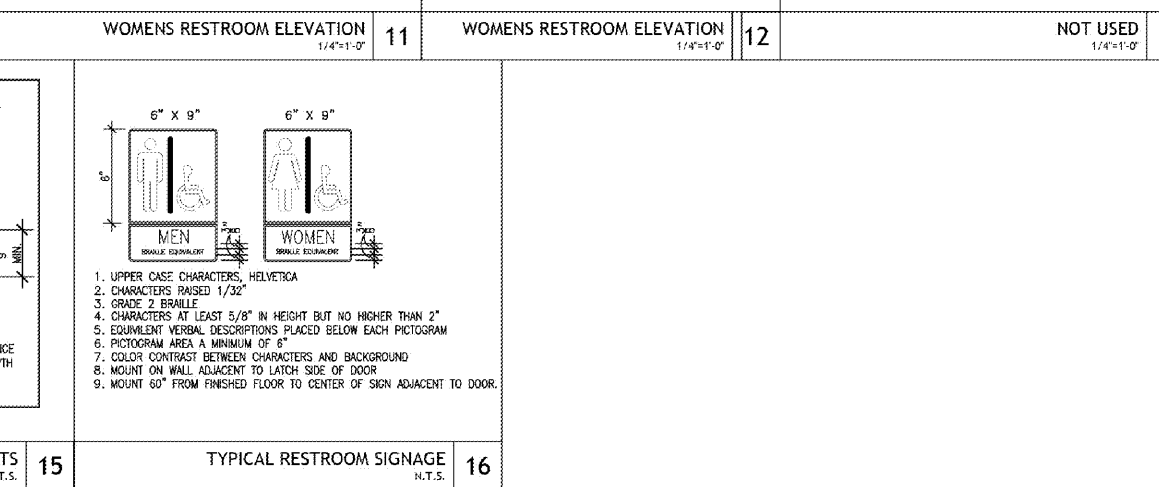
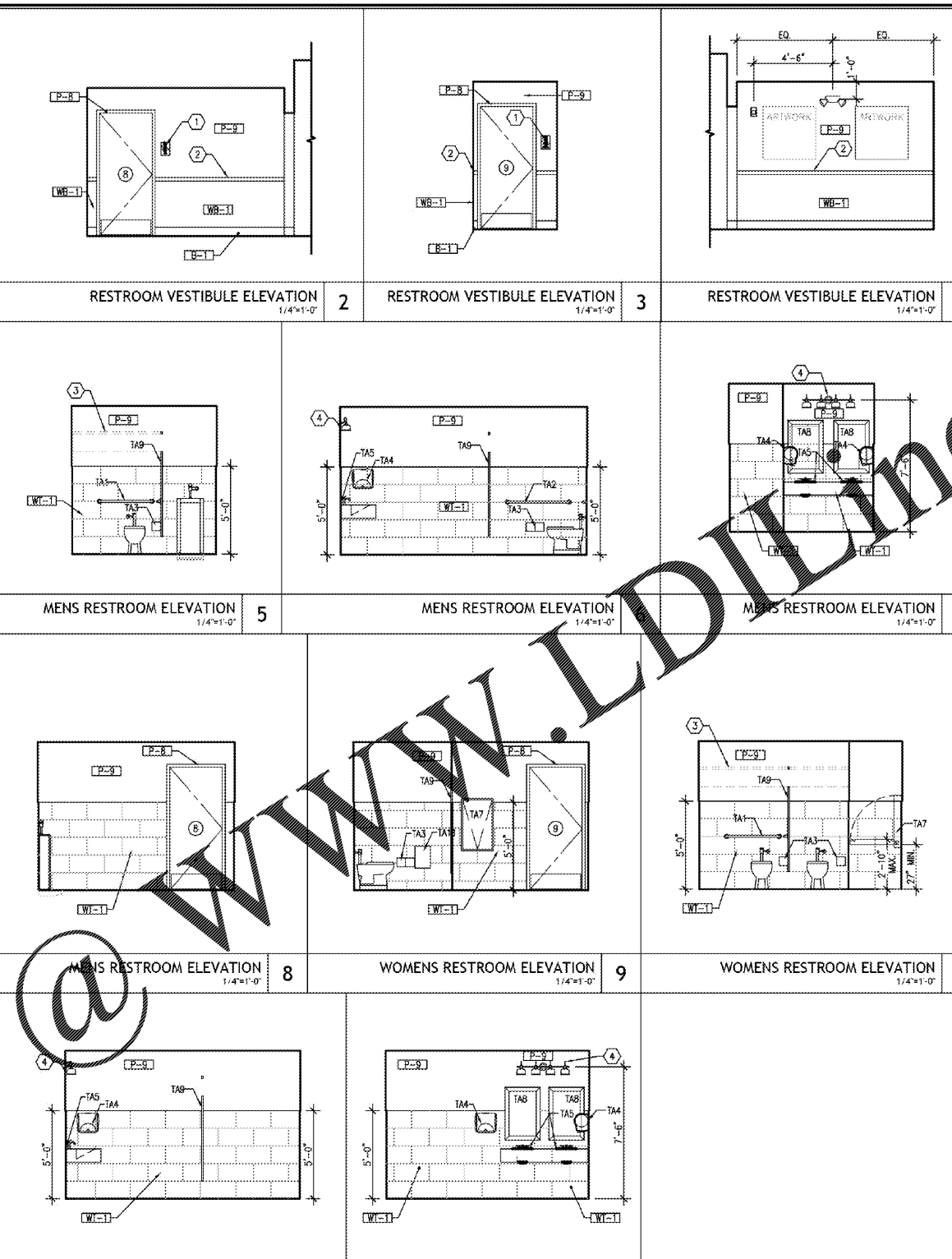
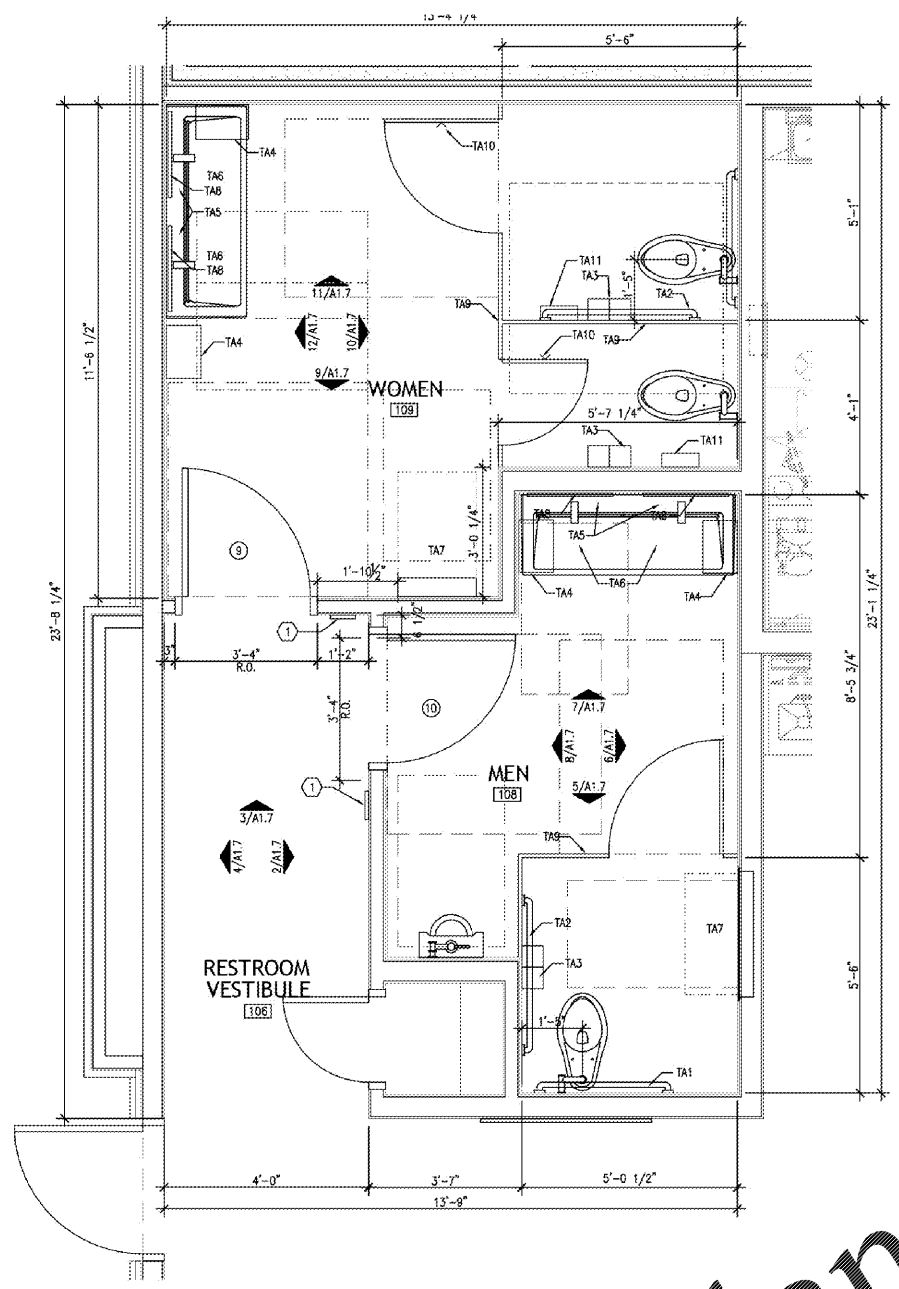
| | | |
|-------|---------------------------------|---|
| WB-1 | CUSTOM SORELL WALLBOARD | MARLITE (562) 928-7208 |
| LVT-1 | VINYL TILE WALL COVERING | PARTERRE |
| WT-1 | ST. GERMAIN PORCELAIN WALL TILE | AMERICAN OLEAN JOHN FLUNK: 913.573.0578 |
| SS | STAINLESS STEEL PANELS | BY K.E.C. |
| FRP-1 | POLAR WHITE F.R.P. | MARLITE |
| WC-1 | DECOR WALL COVERING (RED) | DIGITAL NICHE |
| WC-2 | DECOR WALL COVERING (BLUE) | DIGITAL NICHE |

CEILING

| | | |
|------|---|------------------------------------|
| CT-1 | WHITE 2x2 CEILING PANELS | LOCAL USG DISTRIBUTOR 877-674-4200 |
| CT-2 | WHITE 2x4 VINYL FACED, NON-PERFORATED CEILING PANEL | LOCAL USG DISTRIBUTOR 877-674-4200 |

INTERIOR PAINT AND STAIN

| | | |
|------|-------------------------------|-------------------------|
| P-1 | PURE WHITE (LATEX MATTE) | SHERWIN WILLIAMS |
| P-3 | MEGA GREIGE (LATEX MATTE) | SHERWIN WILLIAMS |
| P-4 | SCRUBTROUGH DOOR TRIM | WOLF GORDON SCUFFMASTER |
| P-5 | COPPER MOUNTAIN (LATEX MATTE) | SHERWIN WILLIAMS |
| P-6 | DYNAMIC BLUE (LATEX MATTE) | SHERWIN WILLIAMS |
| P-7 | BLUE CHIP (LATEX MATTE) | SHERWIN WILLIAMS |
| P-8 | SCRUBTROUGH DOOR TRIM | WOLF GORDON SCUFFMASTER |
| P-9 | FOLKSTONE (LATEX MATTE) | SHERWIN WILLIAMS |
| WS-1 | WOOD STAIN | |



TYPICAL HANDICAP MOUNTING HEIGHTS N.T.S. 15

TYPICAL RESTROOM SIGNAGE N.T.S. 16

Order Plans

@www.LDline.com

** NOTE: ALL DIMENSIONS ARE FROM FINISH FACE.