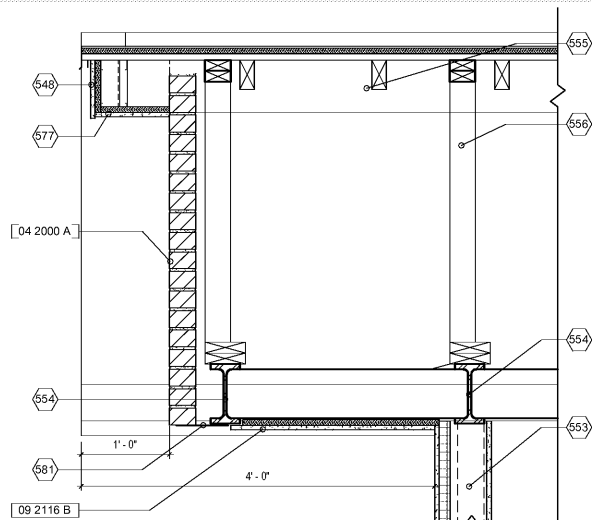
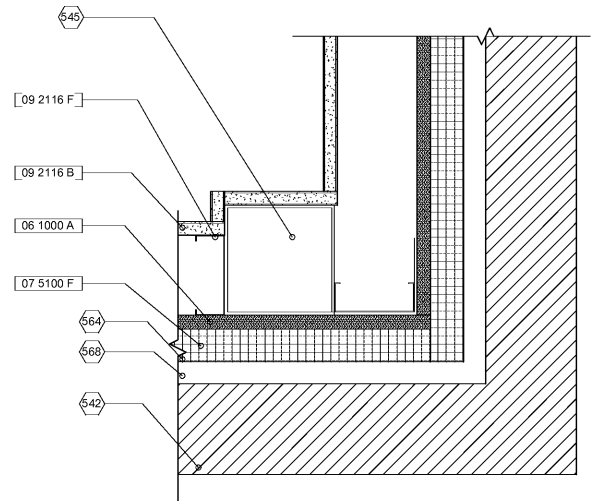


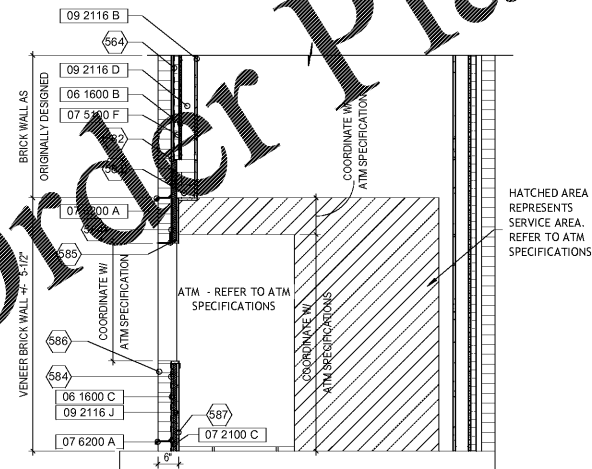
SECTION AT WALL CABINET
07 A103
1 1/2" = 1'-0"



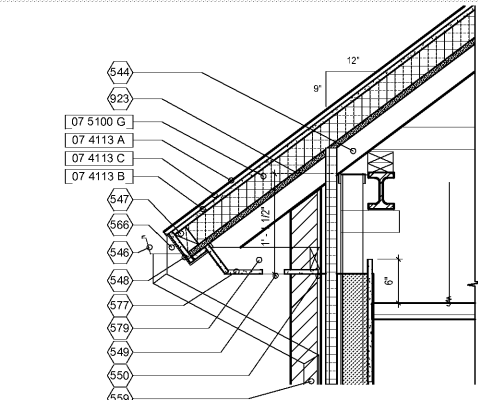
ENLARGED KIOSK END-WALL SECTION
08 A103
1" = 1'-0"



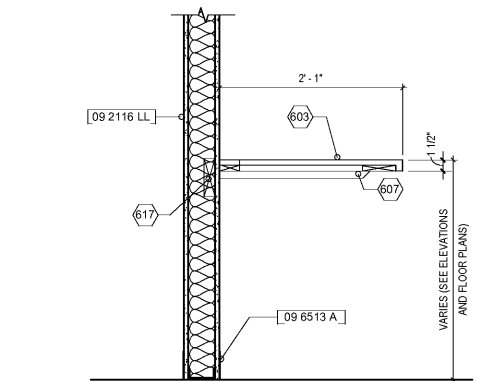
COLUMN BASE DETAIL
04 A103
3" = 1'-0"



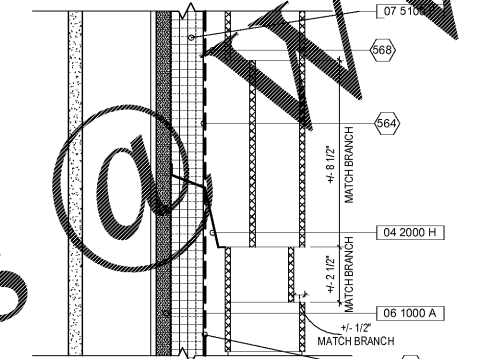
WALL SECTION AT ATM MACHINE
01 A103
1/2" = 1'-0"



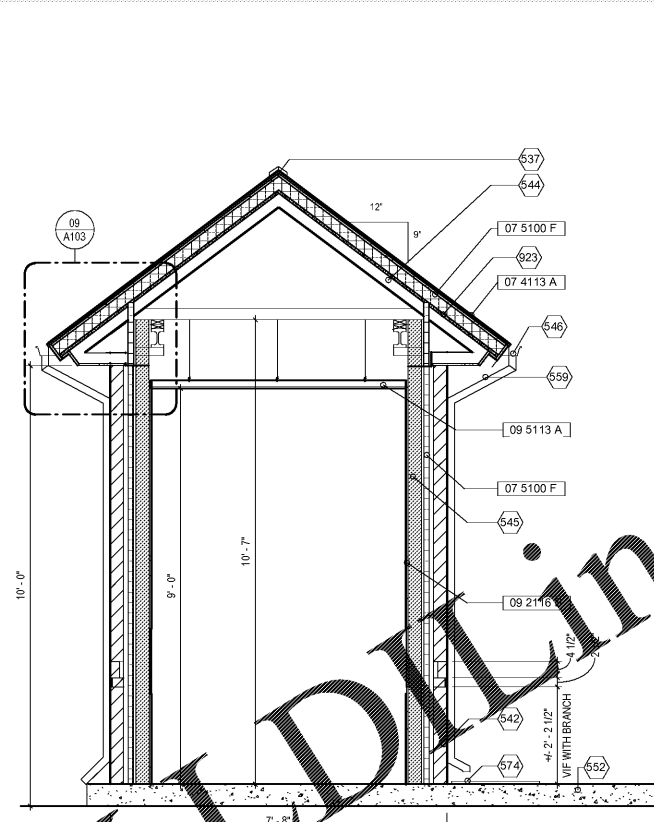
ATM KIOSK EAVE DETAIL
09 A103
1" = 1'-0"



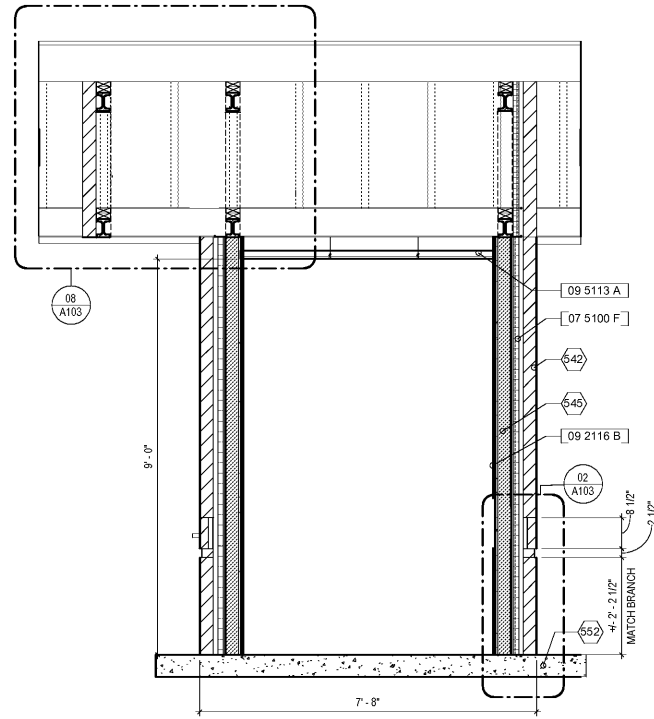
SECTION AT FIXED SHELF
05 A103
1" = 1'-0"



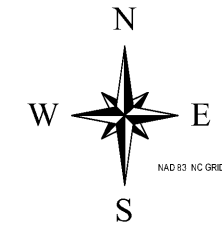
WALL SECTION DETAIL
02 A103
3" = 1'-0"



NORTH/SOUTH SECTION
06 A103
1/2" = 1'-0"



EAST/WEST SECTION
03 A103
1/2" = 1'-0"



BHDP

RALEIGH
156 PAVESVILLE ST.
SUITE 300
RALEIGH, NC 27605
PHONE: 919.861.3054

PITTSBURGH
4075 LENOX RD.
SUITE 300
PITTSBURGH, PA
PHONE: 412.691.4011

ATLANTA
713 PEACHTREE AVE. ST.
SUITE 300
ATLANTA, GA 30308
PHONE: 770.335.3060

CINCINNATI
300 W. 3RD ST. SUITE 200
9501E 500
CINCINNATI, OH 45202
PHONE: 513.271.5651
WWW.BHDP.COM

SEPI

1 GLENWOOD AVE. SUITE
600 RALEIGH, NC
919.861.3054

1020 DAVID TAYLOR DR., SUITE 115
CHARLOTTE, NC
704.714.4880

5030 NEW CENTRE DR., SUITE B
WILMINGTON, NC
28408
910.523.5715
sepiinc.com



lynchmykins

Structural Engineers
301 N West St., Ste 105
Raleigh, NC 27616
919.782.1833 - lynchmykins.com
Professional Engineering Corporation No. C-4360



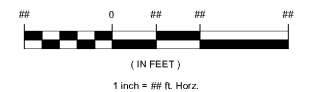
SHEET KEYNOTES

- 537 RIDGE VENT. MATCH EXISTING BUILDING SPECIFICATIONS.
- 542 NEW VENEER BRICK WALL TO MATCH EXISTING BUILDING SPECIFICATIONS.
- 544 STICK BUILT WOOD FRAMING. REFER TO STRUCTURAL DRAWINGS FOR MORE INFORMATION.
- 545 STRUCTURAL STEEL COLUMN. SEE STRUCTURAL DRAWINGS FOR MORE INFORMATION.
- 546 2" GUTTER. COLOR TO MATCH EXISTING BUILDING.
- 547 BLOCKING AS REQUIRED.
- 548 METAL FASCIA TRIM. COLOR TO MATCH ADJACENT ROOF SYSTEM.
- 549 CONTINUOUS SOFFIT VENT AS REQUIRED.
- 550 SEALANT OVER BACKER ROD.
- 552 FOUNDATION. FOR MORE INFORMATION REFER TO STRUCTURAL DRAWINGS.
- 553 STRUCTURAL STEEL COLUMN. SEE STRUCTURAL DRAWINGS FOR MORE INFORMATION.
- 554 STRUCTURAL BEAM. SEE STRUCTURAL DRAWINGS FOR MORE INFORMATION.
- 555 RAFTERS. SEE STRUCTURAL DRAWINGS FOR MORE INFORMATION.
- 556 WOOD STUDS. SEE STRUCTURAL DRAWINGS FOR MORE INFORMATION.
- 559 3" DIA OR 3"x3" RECTANGULAR DOWNSPOUT. COLOR TO MATCH EXISTING BUILDING.
- 564 TYVEK VAPOR BARRIER. VAPOR BARRIER TO BE APPLIED ON TOP OF THE INSULATION AS SHOWN IN DETAIL ON SHEET A103.
- 566 GUTTER BLOCKING.
- 568 1" AIR GAP.
- 574 12" X 24" UV STABLE SPLASH BLOCK. COLOR TO BE SELECTED BY ARCHITECT.
- 575 GROUT SOLID.
- 577 METAL SOFFIT PANEL.
- 579 2 X 4 WOOD FRAMING SPACED 16" O.C.
- 581 BRICK ANGLE OR LINTEL BY STRUCTURAL.
- 582 LAP 1-3/8" STUD 12" TO 3-5/8" STUD.
- 583 BOX HEADER ABOVE ATM OPENING. CLIP 1-3/8" STUD TO 3-5/8" STUD WITH STIFF CLIP. TOP AND BOTTOM.
- 584 AIRSHIELD LM FLUID APPLIED AIR BARRIER BY W. R. MEADOWS.
- 585 LINTEL.
- 586 3-5/8" BRICK.
- 587 1/2" GYP. BOARD.
- 603 SCHEDULED SHELF. REFER TO FLOOR PLANS AND ELEVATIONS.
- 607 CONCEALED SUPPORT AS REQUIRED TO SUPPORT SHELF SPACE AS NEED TO SUPPORT SHELF. SUPPORT TO BE IN WALL RAKKS BRACKET MODEL: MODEL: EH-1209. PAINT TO MATCH WALL. REFER TO ELEVATION FOR LOCATION.
- 617 PROVIDE FRT WOOD BLOCKING INSIDE WALL FOR COUNTER SUPPORT. THERE IS TO BE NO EXPOSED COUTNER SUPPORT.
- 923 PLYWOOD. COORDINATE WITH STRUCTURAL DRAWINGS.

REFERENCE KEYNOTES

- 04 2000 A NEW BRICK WALL, MATCH EXISTING COLOR AND SIZE.
- 04 2000 G WEEP HOLES @ 32" O.C.
- 04 2000 H THRU WALL COPPER FLASHING WITH WEEP HOLES 32" O.C.
- 06 1000 A 5/8" PLYWOOD SHEATHING.
- 06 1600 B 5/8" SHEATHING AS USED IN THE REST OF THE BUILDING.
- 06 1600 C 1/2" DENS GLASS SHEATHING BY GEORGIA PACIFIC.
- 06 4023 D PLASTIC LAMINATE AT ALL EXPOSED TO VIEW SURFACES. REFER TO ELEVATIONS.
- 06 4023 E ADJUSTABLE PLASTIC LAMINATE SHELF 3/4" THICK. FINISH TO BE L2-FORMICA FLAX GAUZE #7708-58.
- 07 2100 C BATT INSULATION.
- 07 2100 B 1 1/2" POLYISOCYANURATE RIGID PERIMETER INSULATION EXTEND 24" UNDER SLAB TYPICAL.
- 07 4113 A STANDING SEAM METAL ROOF PANEL TO MATCH EXISTING.
- 07 4113 B UNDERLAYMENT PER MANUFACTURER'S RECOMMENDATION.
- 07 4113 C AIR GAP PER MANUFACTURER'S RECOMMENDATION.
- 07 5100 F 1 1/2" RIGID INSULATION.
- 07 5100 G 3" RIGID INSULATION.
- 07 6200 A ALUMINUM FLASHING AS REQUIRED.
- 09 2116 B 5/8" EXTERIOR GYPSUM BOARD. FINISH AND PAINT TO MATCH EXISTING.
- 09 2116 D 3-5/8" STEEL PARTITION FRAMING.
- 09 2116 F METAL STUDS AT 16" OC. SEE STRUCTURAL FOR SIZING.
- 09 2116 J 1-3/8" STUD.
- 09 2116 LL GYPSUM WALLBOARD PARTITION. REFER TO FLOOR PLAN AND PARTITION SCHEDULE FOR PARTITION TYPE AND THICKNESS.
- 09 5113 A ACOUSTICAL LAY-IN CEILING SYSTEM. REFER TO REFLECTED CEILING PLANS AND FINISH SPECIFICATIONS FOR TYPES AND HEIGHTS.
- 09 6513 A RESILIENT WALL BASE. REFER TO FINISH DRAWINGS.

GRAPHIC SCALE



STATE EMPLOYEES' CREDIT UNION -
CHARLOTTE - ALBEMARLE RD.
REMOTE ATM ADDITIONS

PROJECT: STATE EMPLOYEES' CREDIT UNION - CHARLOTTE - ALBEMARLE RD. REMOTE ATM ADDITIONS

PROJECT MANAGER	BS	FIELD SURVEY DATE	
CHECKED BY	DS	DRAWING DATE	02/07/2020
DRAWN BY	AA	JOB #	NCE01.23

A103