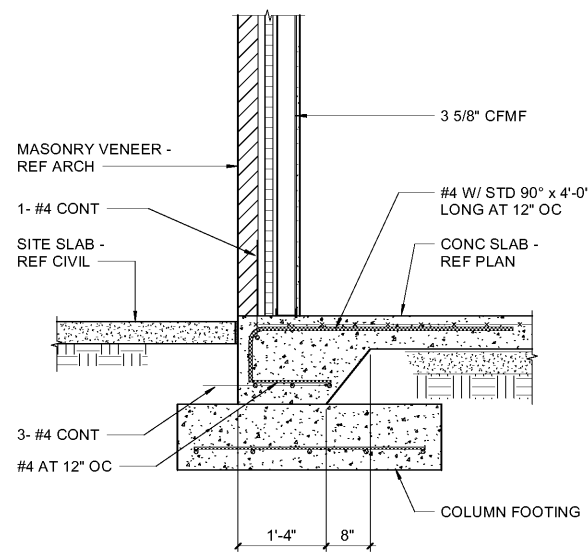
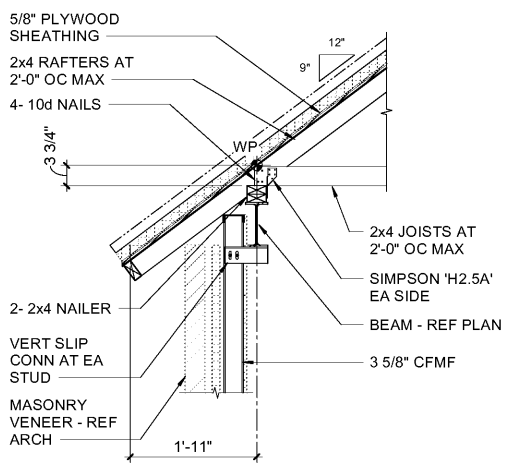


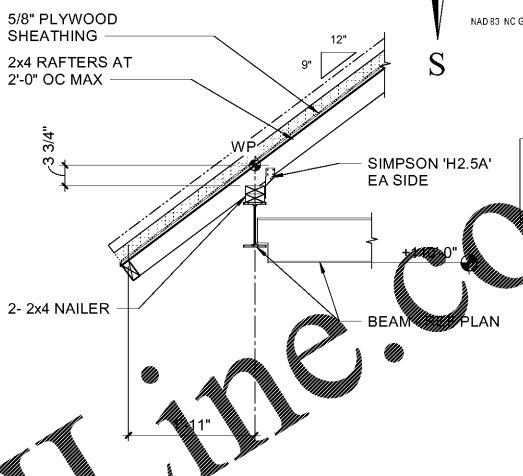
1 SECTION
S301-1 3/4" = 1'-0"



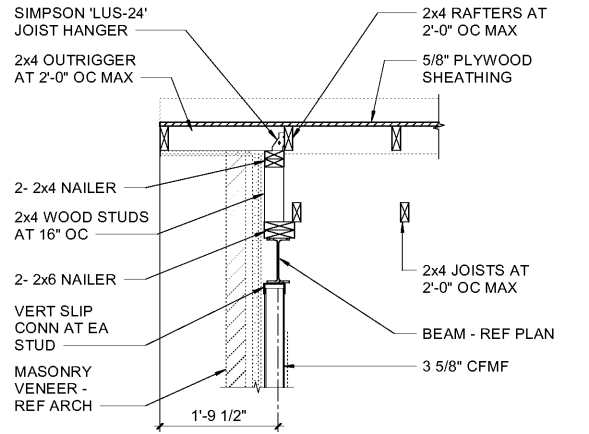
2 SECTION
S301-1 3/4" = 1'-0"



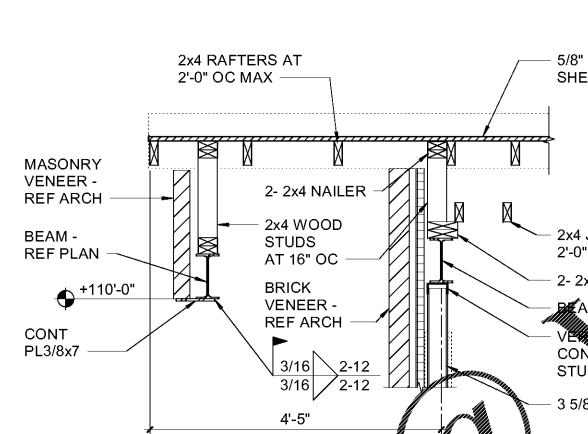
3 SECTION
S301-1 3/4" = 1'-0"



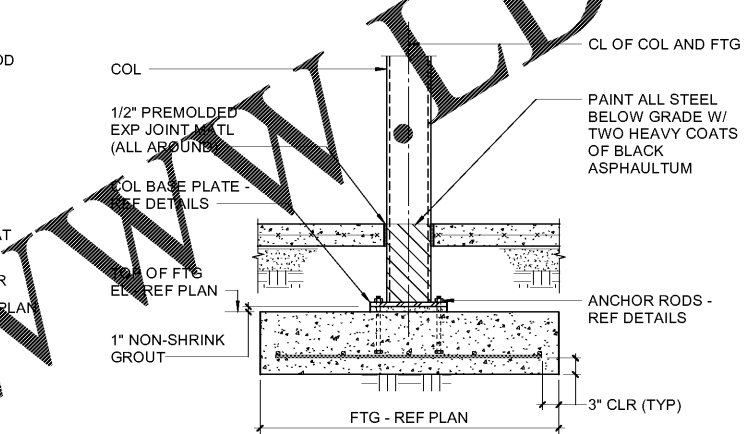
4 SECTION
S301-1 3/4" = 1'-0"



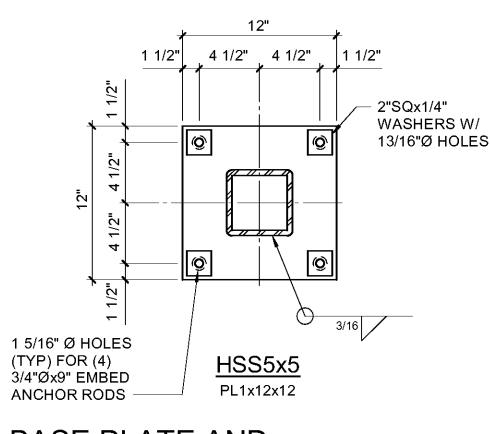
5 SECTION
S301-1 3/4" = 1'-0"



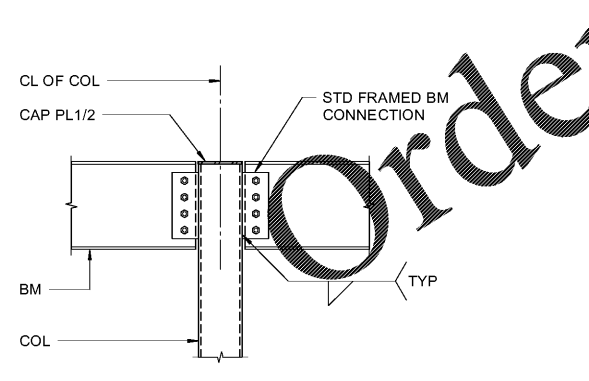
6 SECTION
S301-1 3/4" = 1'-0"



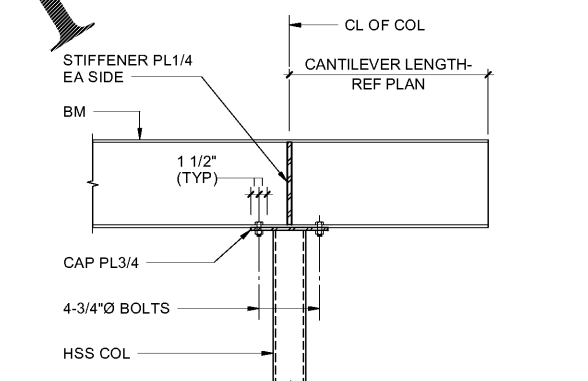
TYPICAL COLUMN AND FOOTING DETAIL
NTS



BASE PLATE AND ANCHOR ROD DETAIL
NTS



TYPICAL BEAM TO HSS COLUMN CONNECTION DETAIL
NTS

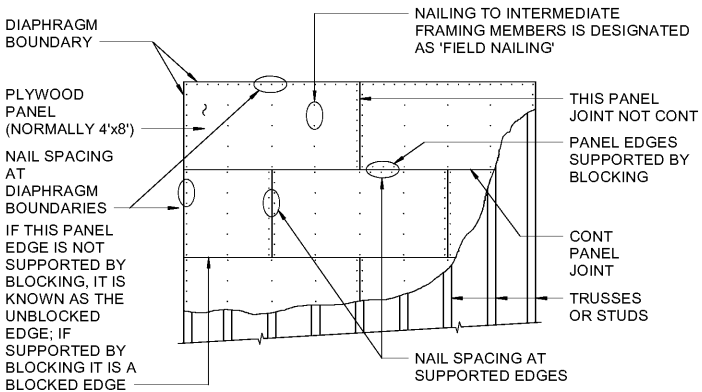


TYPICAL CANTILEVER BEAM DETAIL
NTS

GENERAL: THE LATERAL LOADS ON THIS BUILDING ARE RESISTED BY A COMBINATION OF 'DIAPHRAGM' ACTION OF THE ROOF TO TRANSMIT LOADS IN THE HORIZONTAL PLANES, AND CMU SHEARWALLS TO TRANSMIT LOADS IN THE VERTICAL PLANES.

ROOF DIAPHRAGM NAILING SCHEDULE: EXCEPT WHERE OTHERWISE NOTED OR DETAILED, PLYWOOD ROOF SHEATHING SHALL BE NAILED W/ 8d NAILS AT 6" OC AT PANEL EDGES, 12" OC FIELD. BLOCK UNSUPPORTED EDGES WHERE INDICATED ON PLAN.

DEFINITION OF TERMS:



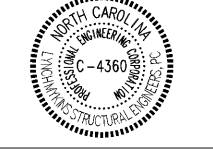
TYPICAL ROOF DIAPHRAGM DETAIL
NTS



lynchmykins
Structural Engineers
301 N West St., Ste 105
Raleigh, NC 27603
919.782.1833 - lynchmykins.com



THE LOCATIONS OF EXISTING UNDERGROUND UTILITIES ARE SHOWN IN ALL INFORMATION ONLY AND HAVE NOT BEEN INDEPENDENTLY VERIFIED BY THE OWNER OR ITS REPRESENTATIVE. THE CONTRACTOR SHALL DETERMINE THE EXACT LOCATION OF ALL EXISTING UTILITIES BEFORE COMMENCING WORK, AND ACCEPTS FULL RESPONSIBILITY FOR ANY AND ALL DAMAGES WHICH MIGHT BE OCCURRED BY THE CONTRACTOR'S FAILURE TO EXACTLY LOCATE AND PRESERVE ANY AND ALL UNDERGROUND UTILITIES.



ISSUED FOR BIDDING REVIEW

1	ISSUED FOR BIDDING REVIEW
---	---------------------------

PROJECT: STATE EMPLOYEES' CREDIT UNION - CHARLOTTE - ALBEMARLE RD REMOTE ATM ADDITIONS

SHEET TITLE: SECTIONS, TYPICAL DETAILS

PROJECT MANAGER: CBR	FIELD SURVEY DATE: -
CHECKED BY: CBR	DRAWING DATE: 02/07/2020
DRAWN BY: MBG	JOB #: NCE01.23

S301-1

