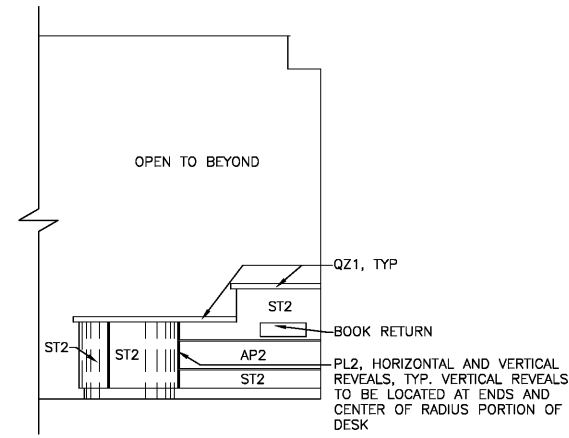
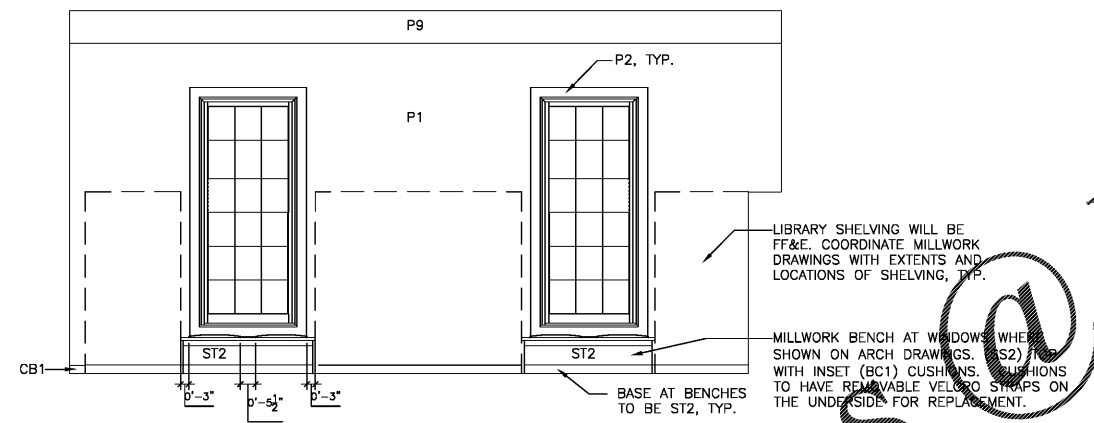


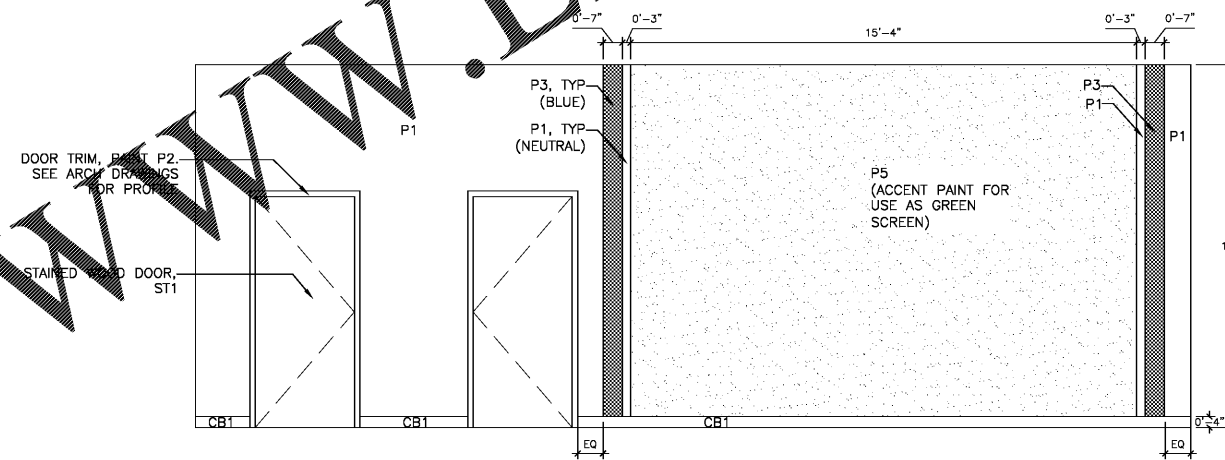
1 LIBRARY ELEVATION - CIRCULATION DESK
 ID-4 SCALE: 3/8" = 1'-0"
 NOTE: ELEVATION FOR MILLWORK FINISHES AND ACCENT WALL PAINT DETAIL ONLY



2 LIBRARY ELEVATION - CIRCULATION DESK
 ID-4 SCALE: 3/8" = 1'-0"
 NOTE: ELEVATION FOR MILLWORK FINISHES DETAIL ONLY



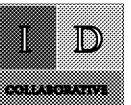
3 LIBRARY ELEVATION - WINDOW SEAT DETAIL
 ID-4 SCALE: 3/8" = 1'-0"



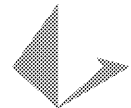
4 CLASSROOM ELEVATION - GREEN SCREEN ACCENT WALL
 ID-4 SCALE: 3/8" = 1'-0"

Order Plans @

WWW.LDLine.com



Life Architecture Interior Design
 1000 North Street • Greensboro, NC 27401
 336.273.0117



TEAGUE
 FREYALDENHOVEN
 ARCHITECTS & PLANNERS, LLP

300 NORTH GREENE STREET
 SUITE 285
 GREENSBORO
 NORTH CAROLINA 27401
 TEL. 336.273.0101
 FAX. 336.273.0141

CANTERBURY SCHOOL
 DAVID BROWN LIBRARY AND
 ADMINISTRATION BUILDING
 5400 OLD LAKE JEANETTE RD
 GREENSBORO, NORTH CAROLINA



DATE 1-30-2020

PROJECT # 19117

FILE # IDC#1935

REVISIONS

THIS DRAWING IS THE PROPERTY OF
 TEAGUE & FREYALDENHOVEN, LLP
 AND IS NOT TO BE USED FOR ANY WORK
 OTHER THAN THAT AUTHORIZED BY THE
 ARCHITECT. IT IS NOT TO BE COPIED OR
 REPRODUCED IN PART OR WHOLE.

SHEET

ID-4