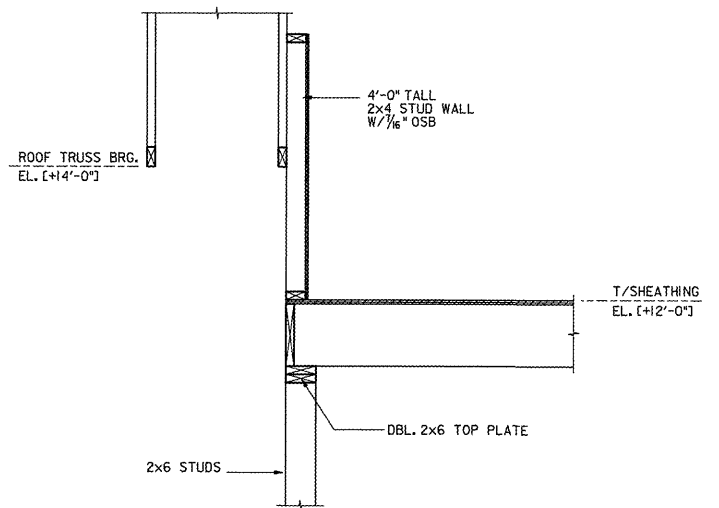
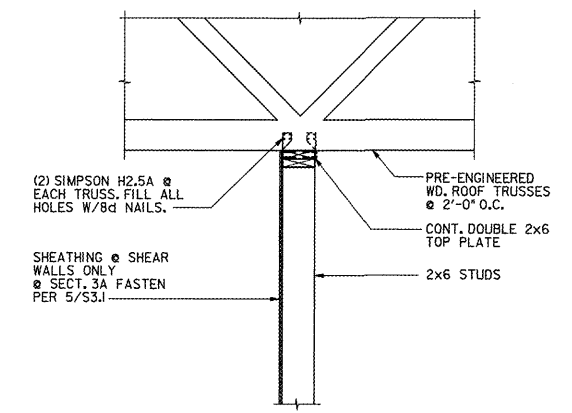


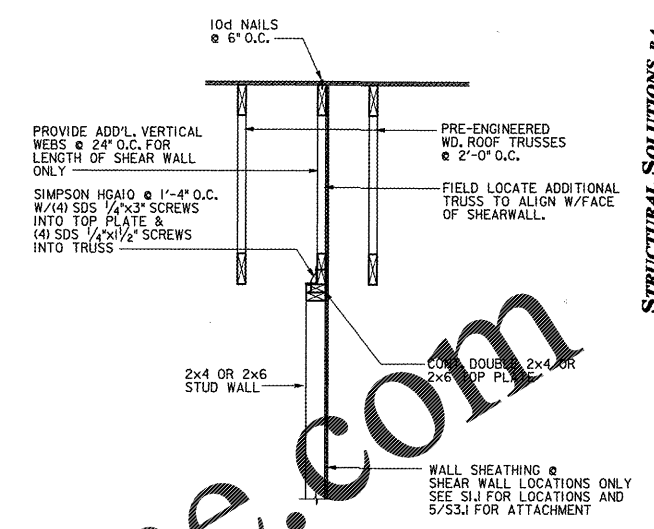
1 SECTION
S3.1 SCALE: 3/4"=1'-0"



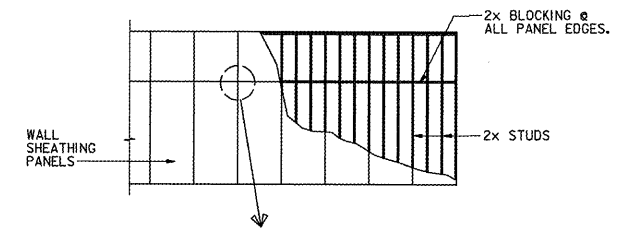
2 SECTION
S3.1 SCALE: 3/4"=1'-0"



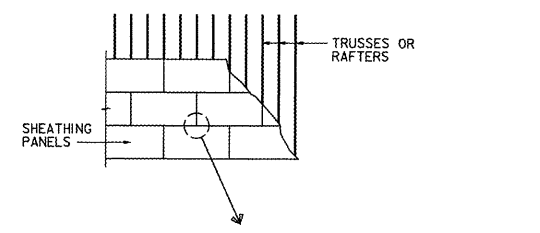
3 SECTION
S3.1 SCALE: 3/4"=1'-0"



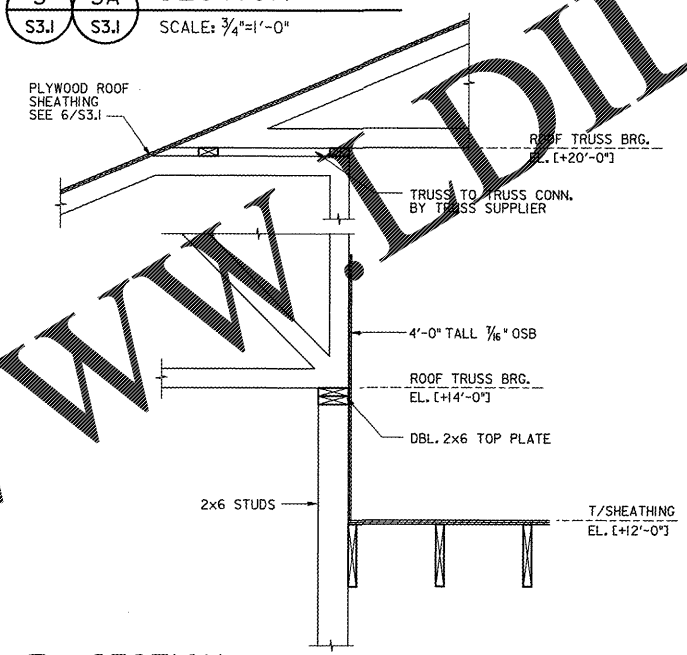
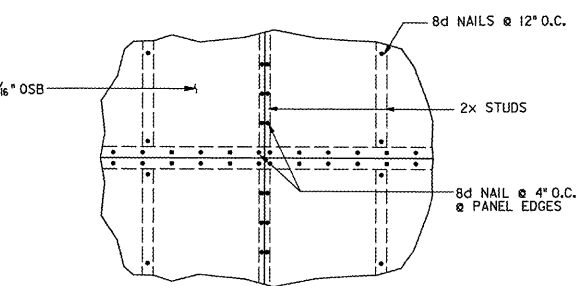
4 SECTION
S3.1 SCALE: 3/4"=1'-0"



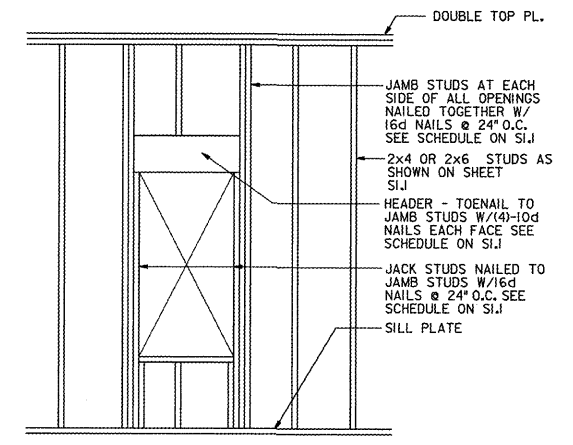
5 SHEAR WALL FASTENING
S3.1 N.T.S.



6 ROOF SHEATHING FASTENING
S3.1 N.T.S.

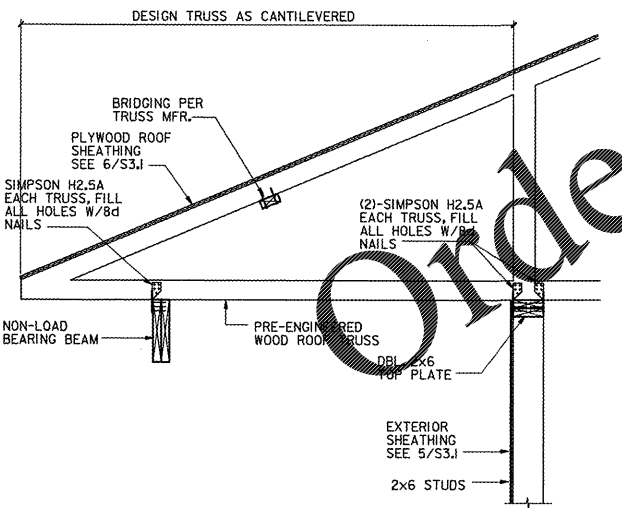


7 SECTION
S3.1 SCALE: 3/4"=1'-0"

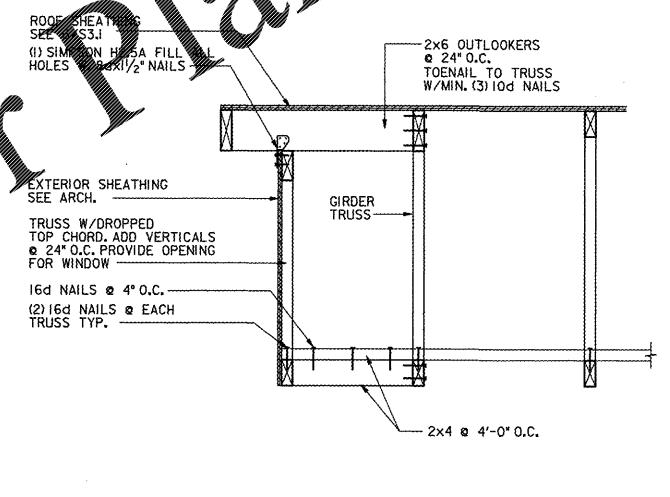


8 DETAIL
S3.1 N.T.S.

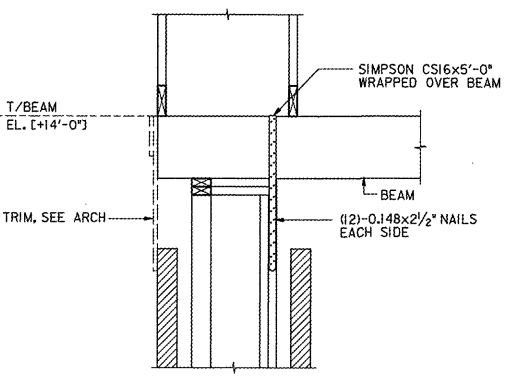
NOTES:
1. ALL STUDS SHALL BE S-P-F No. 1/No. 2
2. ALL STUDS SHALL BE ONE PIECE FULL HEIGHT.
TYP. LOAD BEARING WALL FRAMING



9 SECTION
S3.1 SCALE: 3/4"=1'-0"

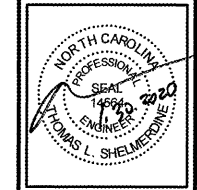


10 SECTION
S3.1 SCALE: 1"=1'-0"



11 SECTION
S3.1 SCALE: 3/4"=1'-0"

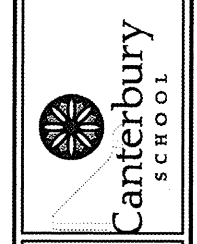
STRUCTURAL SOLUTIONS, P.A.
STRUCTURAL ENGINEERING & INVESTIGATIONS & CONSULTING
8821 LANTANA DRIVE
GREENSBORO, NORTH CAROLINA 27410
PROJECT NUMBER: 18-070



TEAGUE FREYALDENHOVEN
FREYALDENHOVEN ARCHITECTS & PLANNERS, LLP

300 NORTH GREENE STREET
SUITE 285
GREENSBORO
NORTH CAROLINA 27401
TEL. 336.273.0101
FAX. 336.273.0141

CANTERBURY SCHOOL
P. DAVID BROWN LIBRARY AND
ADMINISTRATION BUILDING
5400 OLD LAKE JEANETTE RD.
GREENSBORO, NORTH CAROLINA



DATE	1-30-2020
PROJECT #	19117
FILE #	
REVISIONS	

THIS DRAWING IS AN INSTRUMENT OF PROFESSIONAL SERVICE PREPARED BY THE ARCHITECTS & PLANNERS, LLP. IT IS THE PROPERTY OF THE ARCHITECTS & PLANNERS, LLP. NO PART OF THIS DRAWING IS TO BE REPRODUCED OR TRANSMITTED IN ANY FORM OR BY ANY MEANS, ELECTRONIC OR MECHANICAL, INCLUDING PHOTOCOPYING, RECORDING, OR BY ANY INFORMATION STORAGE AND RETRIEVAL SYSTEM, WITHOUT THE WRITTEN PERMISSION OF THE ARCHITECTS & PLANNERS, LLP.

SHEET
S3.1
OF 19-070