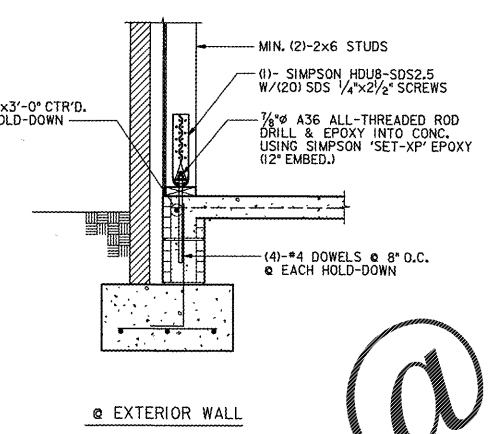
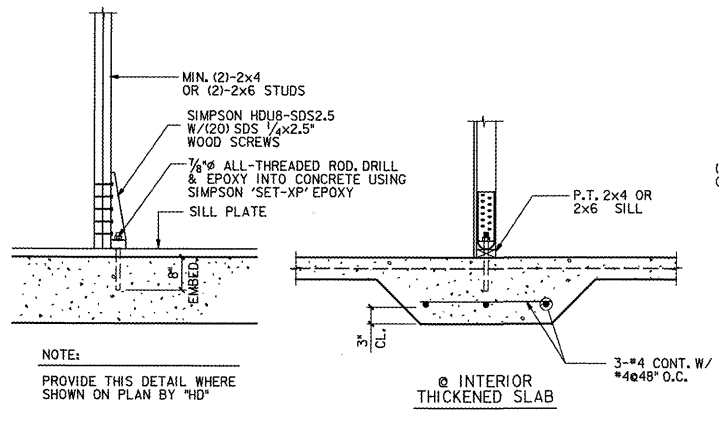


1 DETAIL
 S2.1 N.T.S.

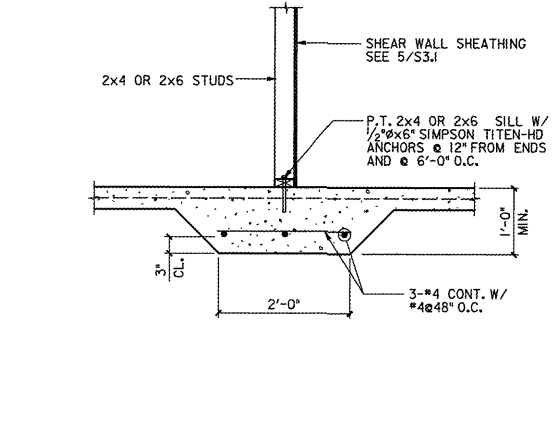
2 SECTION
 S2.1 SCALE: 3/4" = 1'-0"

NOTES:
 1. CONSTRUCTION JOINT MAY BE SUBSTITUTED FOR GROOVE JOINT AT CONTRACTOR'S OPTION.
 2. IF CONSTRUCTION IS STOPPED BETWEEN INDICATED JOINTS, PROVIDE CONSTRUCTION JOINT SHOWN WITH #5x2'-6" DOWELS @ 24" O.C. CENTERED IN SLAB AND JOINT.

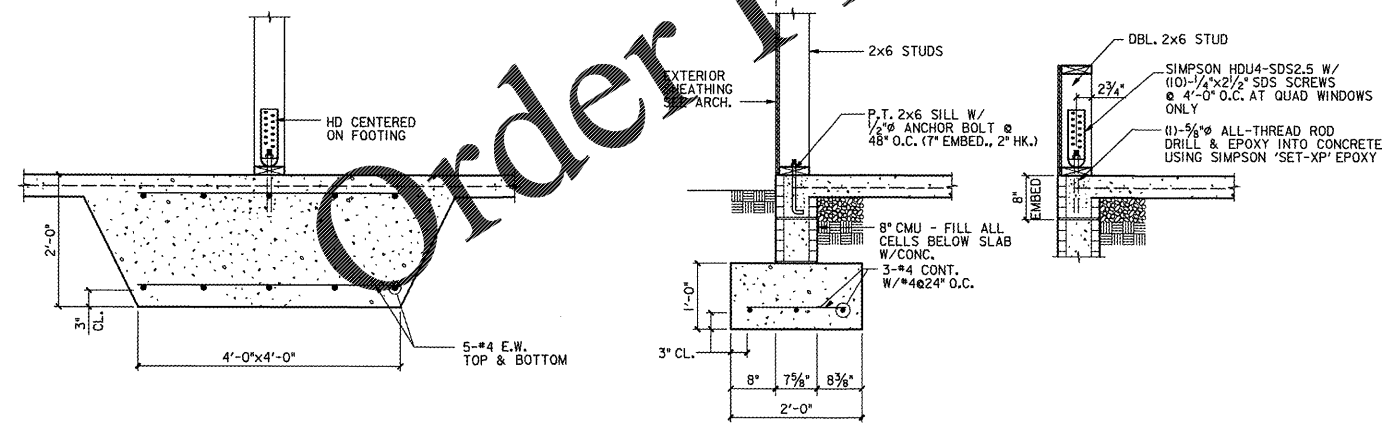


3 SECTION
 S2.1 SCALE: 3/4" = 1'-0"

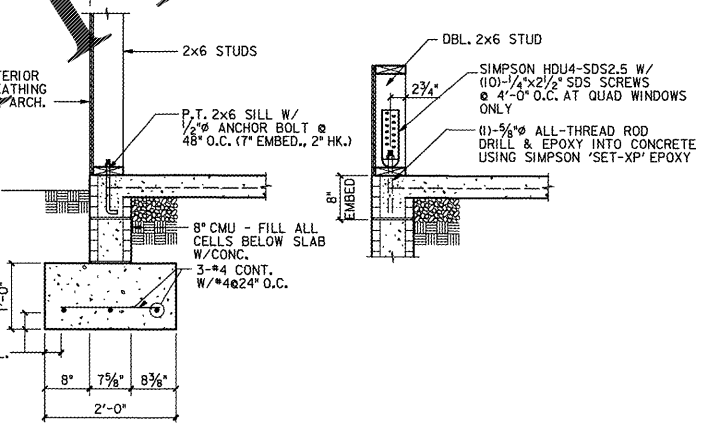
4 SECTION
 S2.1 SCALE: 3/4" = 1'-0"



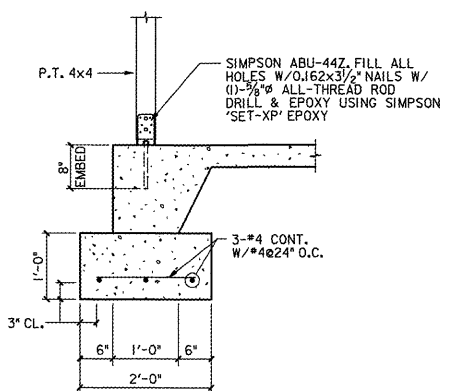
5 SECTION
 S2.1 SCALE: 3/4" = 1'-0"



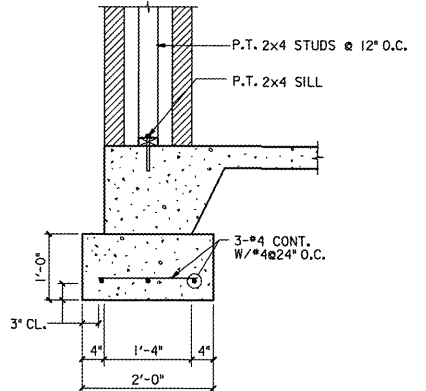
6 SECTION
 S2.1 SCALE: 3/4" = 1'-0"



7 SECTION
 S2.1 SCALE: 3/4" = 1'-0"



8 SECTION
 S2.1 SCALE: 3/4" = 1'-0"



9 SECTION
 S2.1 SCALE: 3/4" = 1'-0"

Order Plans @

WWW.LDILine.com

STRUCTURAL SOLUTIONS, P.A.
 STRUCTURAL ENGINEERS & ARCHITECTURAL CONSULTANTS
 1000 N. GREENSBORO BLVD.
 GREENSBORO, NORTH CAROLINA 27410
 PHONE (336) 868-2888 WWW.SSOL.COM
 PROJECT NUMBER: 19117



TEAGUE
 FREYALDENHOVEN
 FREYALDENHOVEN
 ARCHITECTS & PLANNERS, LLP

300 NORTH GREENE STREET
 SUITE 285
 GREENSBORO
 NORTH CAROLINA 27401
 TEL. 336.273.0101
 FAX. 336.273.0141

CANTERBURY SCHOOL
 P. DAVID BROWN LIBRARY AND
 ADMINISTRATION BUILDING
 5400 OLD LAKE JEANETTE RD.
 GREENSBORO, NORTH CAROLINA



DATE	1-30-2020
PROJECT #	19117
FILE #	
REVISIONS	

THIS DRAWING IS AN INSTRUMENT OF PROFESSIONAL SERVICE PREPARED BY ARCHITECTS & PLANNERS, LLP (C/P) AND IS THE PROPERTY OF THAT FIRM. ANY PARTY OTHER THAN THE FIRM OR ITS CLIENTS WHOSE NAME IS ON THIS DRAWING IS NOT TO BE DEPENDENT ON OR RESPONSIBLE FOR THE DESIGN OR CONSTRUCTION OF ANY PART OF THIS PROJECT.

SHEET
S2.1
 OF 19-070