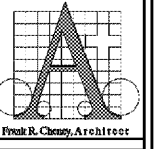




TEAGUE
FREYALDENHOVEN
FREYALDENHOVEN
ARCHITECTS & PLANNERS, LLP

300 NORTH GREENE STREET
SUITE 285
GREENSBORO
NORTH CAROLINA 27401
TEL. 336.273.0101
FAX. 336.273.0141



CANTERBURY SCHOOL
P. DAVID BROWN BUILDING
5400 OLD LAKE JEANETTE RD
GREENSBORO, NORTH CAROLINA



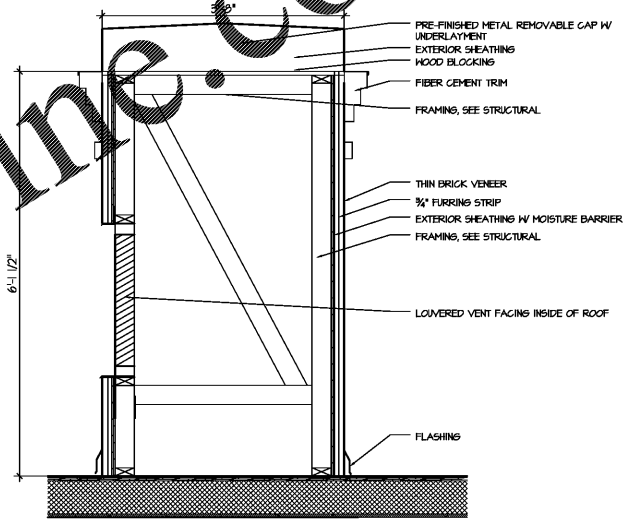
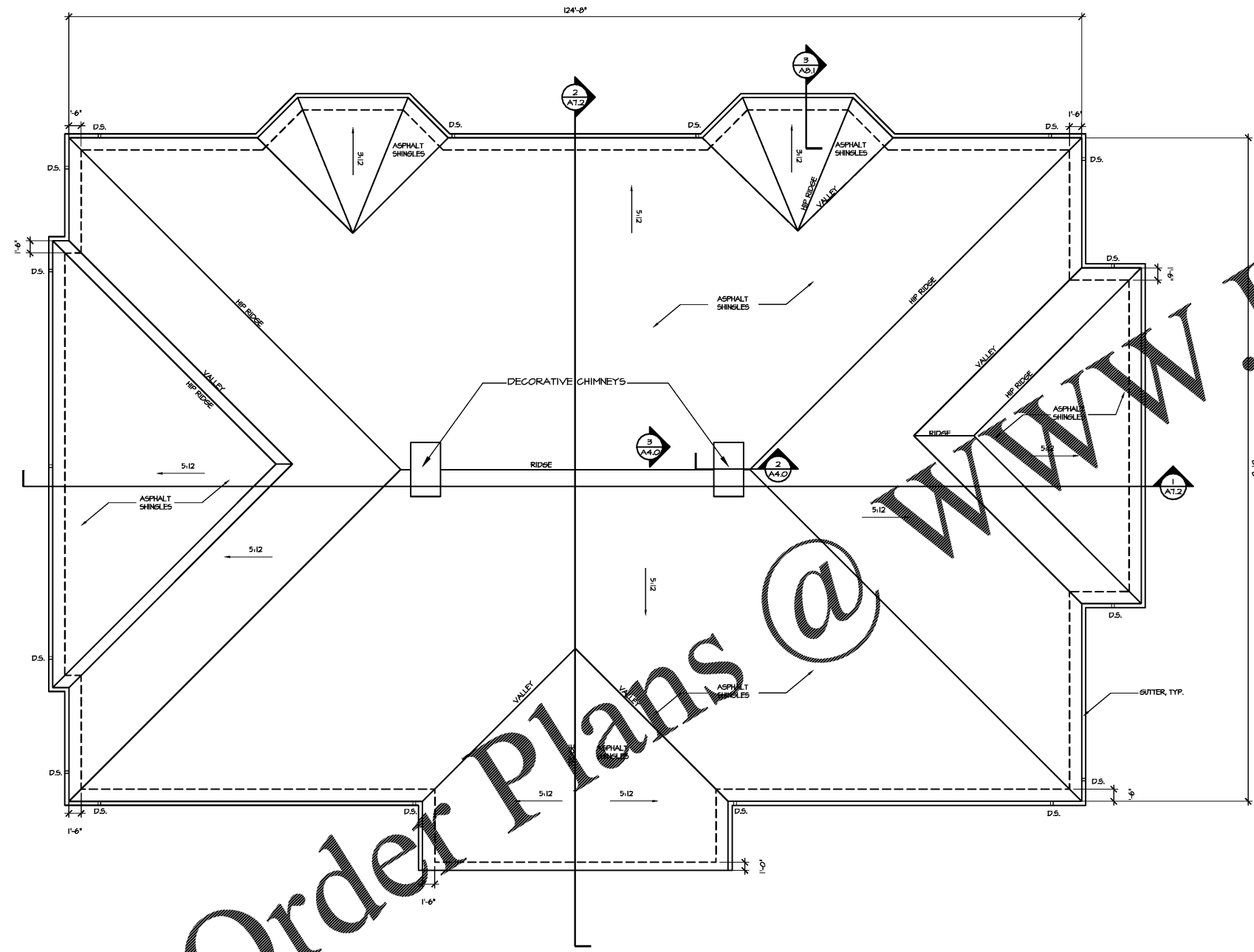
DATE	JAN 30, 2020
PROJECT #	19117
FILE #	19117-A4-0
REVISIONS	

THIS DRAWING IS AN INSTRUMENT OF PROFESSIONAL SERVICE PREPARED BY THE ARCHITECTS & PLANNERS, LLP (TTP), AND IS THE PROPERTY OF TTP. ALIENATION OF THIS DOCUMENT BY ANY PARTY OTHER THAN TTP IS A VIOLATION OF LAW THAT WILL BE PROSECUTED TO ITS FULLEST EXTENT. THIS DRAWING SHALL NOT BE USED FOR ANY WORK OTHER THAN THAT AUTHORIZED BY THE ARCHITECT. IT IS NOT TO BE COPIED, REPRODUCED IN PART OR WHOLE.

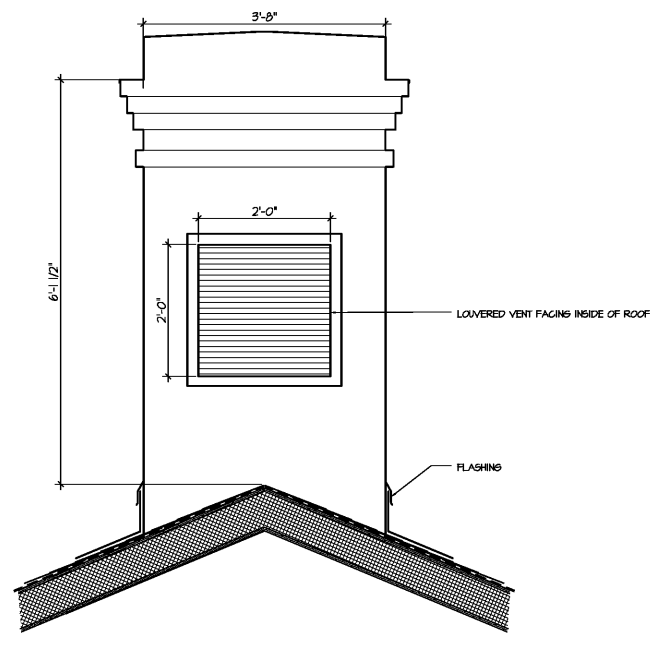
SHEET
A4.0

ROOF PLAN GENERAL NOTES/LEGEND

- ARROWS INDICATE DIRECTION OF ROOF SLOPE. REFER TO STRUCTURAL DRAWINGS FOR SLOPED STRUCTURE INFORMATION (IF APPLICABLE) AND BEARING HEIGHTS.
- REFER TO ROOF DETAILS ON SHEET A4.1 FOR ADDITIONAL INFORMATION.
- PROVIDE PRE-FINISHED ALUMINUM GUTTERS (8" K-STYLE GUTTERS), TYP. REFER TO SPECIFICATIONS FOR ADDITIONAL INFORMATION.
- THE MECHANICAL/PLUMBING CONTRACTORS SHALL SUPPLY ALL ROOF CURBS/VENTS (RESPECTIVELY). THE GC SHALL INSTALL AND FLASH ALL ROOF CURBS AND VENTS. REFER TO PLUMBING DRAWINGS FOR EXACT LOCATIONS OF ALL VENTS. REFER TO MECHANICAL DRAWINGS FOR SIZES AND LOCATIONS OF ALL ROOFTOP MECHANICAL EQUIPMENT.
- THE GENERAL CONTRACTOR IS RESPONSIBLE TO COORDINATE AND COMPLY WITH THE ROOFING MANUFACTURERS' REQUIREMENTS FOR MINIMUM FLASHING HEIGHTS.
- REFER TO PLUMBING DRAWINGS FOR LOCATIONS OF PLUMBING VENTS THROUGH ROOF. REFER TO ROOFING DETAILS FOR ADDITIONAL INFORMATION.
- SEE BUILDING ELEVATIONS FOR DOWNSPOUT LOCATIONS. (DOWNSPOUTS SHALL BE 42" HIGH UNLESS OTHERWISE NOTED). REFER TO CIVIL DRAWINGS FOR PIPING/CONNECTION OF DOWNSPOUTS TO STORM DRAINAGE SYSTEM. PROVIDE MANUFACTURER'S STANDARD CLEANOUT/ACCESS PORT ON THE FACE OF EACH DOWNSPOUT APPROXIMATELY 18" ABOVE GRADE.



2 CHIMNEY SECTION
SCALE: 3/4" = 1'-0"



3 CHIMNEY ELEVATION
SCALE: 3/4" = 1'-0"

1 ROOF PLAN
SCALE: 1/8" = 1'-0"

Order Plans @ WWW.LDILine.com