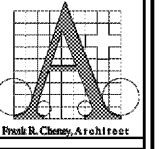


T E A G U E
FREYALDENHOVEN
FREYALDENHOVEN
ARCHITECTS & PLANNERS, LLP

300 NORTH GREENE STREET
SUITE 285
GREENSBORO
NORTH CAROLINA 27401
TEL. 336.273.0101
FAX. 336.273.0141



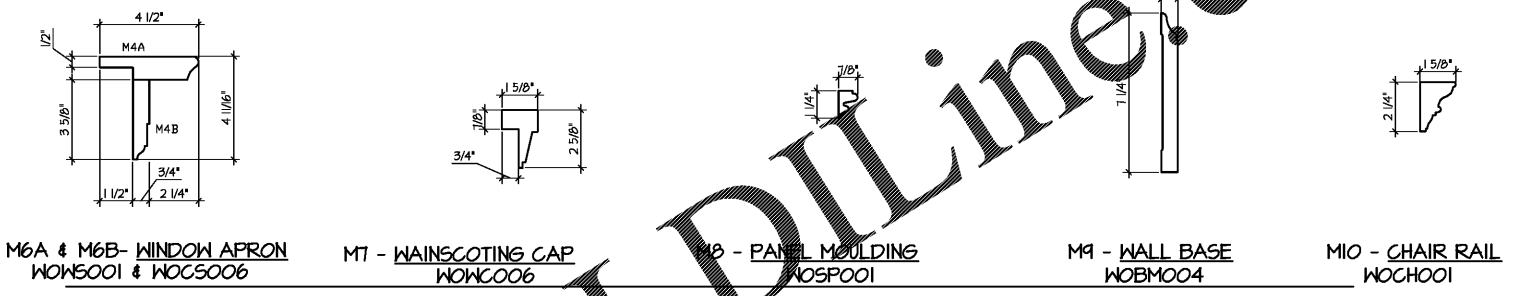
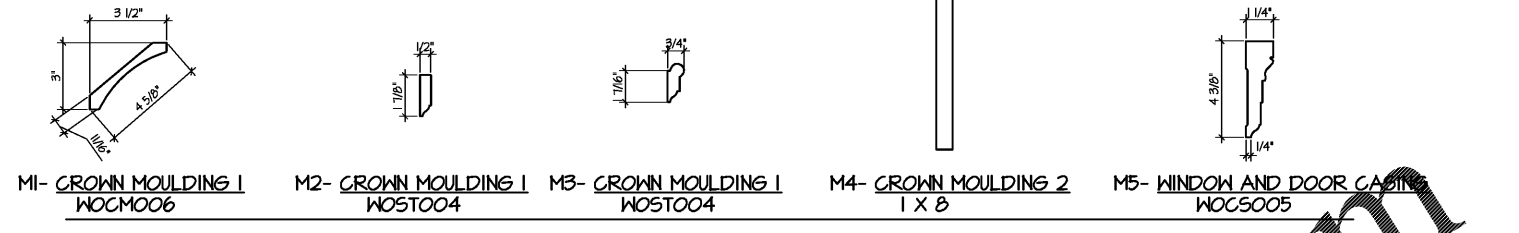
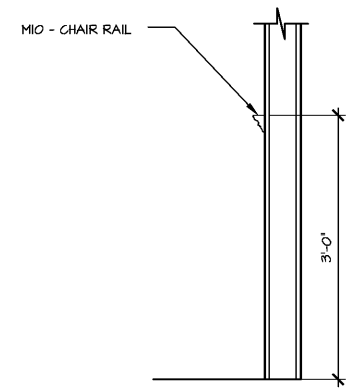
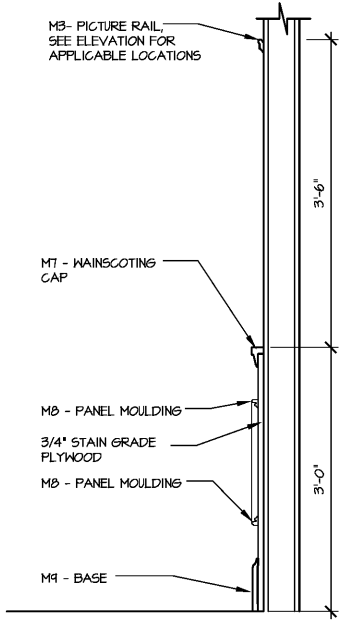
CANTERBURY SCHOOL
P. DAVID BROWN BUILDING
5400 OLD LAKE JEANETTE RD
GREENSBORO, NORTH CAROLINA



DATE
JAN 30, 2020
PROJECT #
19117
FILE #
19117-A3.4
REVISIONS

THIS DRAWING IS AN INSTRUMENT OF PROFESSIONAL SERVICE PREPARED BY TTT ARCHITECTS & PLANNERS, LLP (TTP), AND IS THE PROPERTY OF TTP. ALLOCATION OF THIS DOCUMENT BY ANY PARTY OTHER THAN TTP IS A VIOLATION OF LAW THAT WILL BE PROSECUTED TO ITS FULLEST EXTENT. THIS DRAWING SHALL NOT BE USED FOR ANY WORK OTHER THAN THAT AUTHORIZED BY THE ARCHITECT. TTP IS NOT TO BE CONSIDERED OR REPRESENTED AS PART OF WHOLE.

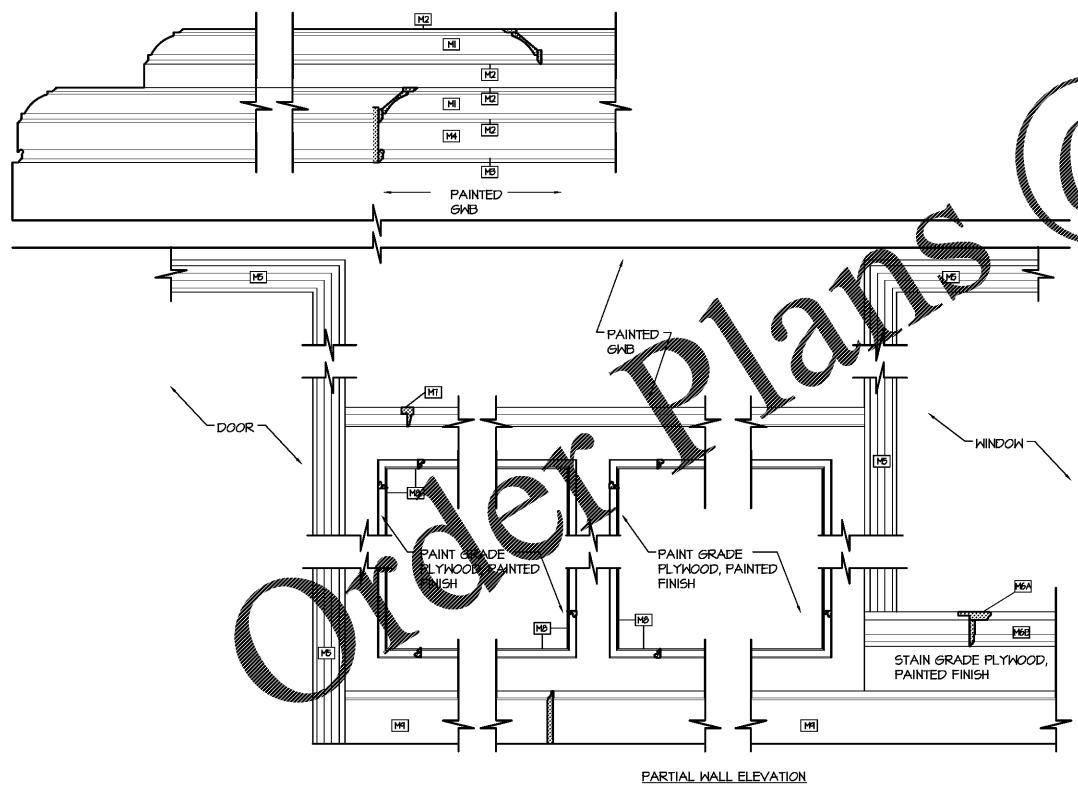
SHEET
A3.5



NOTE: ALL MOULDING PROFILES ARE A BASIS OF DESIGN AND ARE BASED ON PRODUCTS AVAILABLE BY HINSORONE. SEE FINISH SCHEDULE IDL# FOR MOULDING FINISH SPECIFICATION.

1 MOLDING SECTION
SCALE: 1" = 1'-0"

2 MOLDING PROFILES
SCALE: 3/4" = 1'-0"



3 PARTIAL MOLDING ELEVATION
SCALE: 1" = 1'-0"

Order Plans @ WWW.LDILine.com