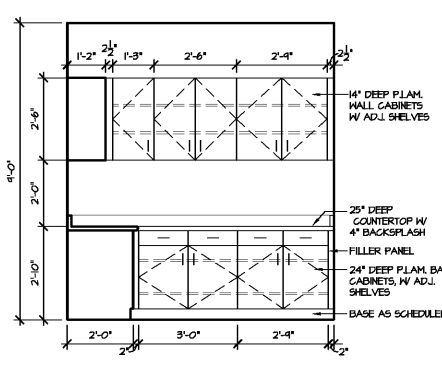
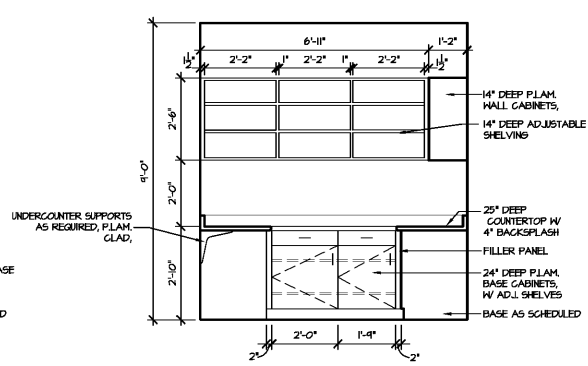


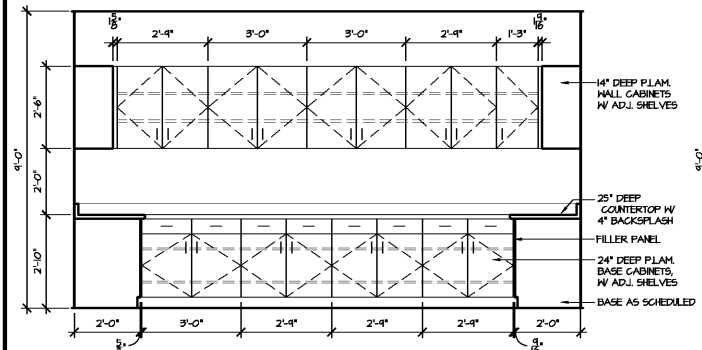
A- MEETING ROOM 126



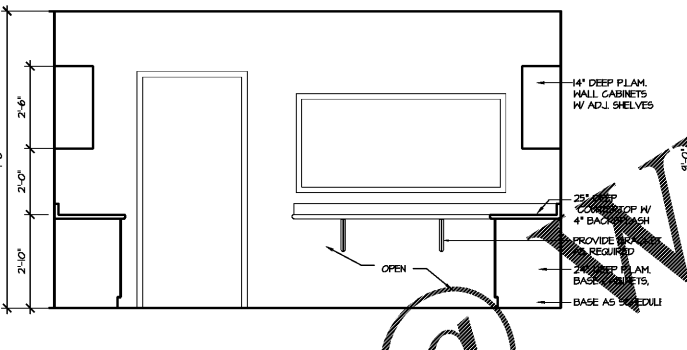
B- PRODUCTION ROOM 123



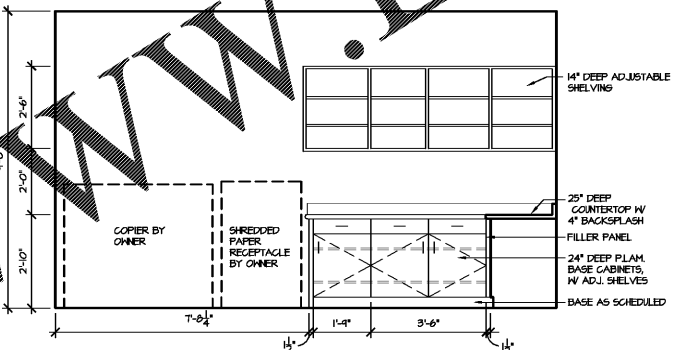
C- PRODUCTION ROOM 123



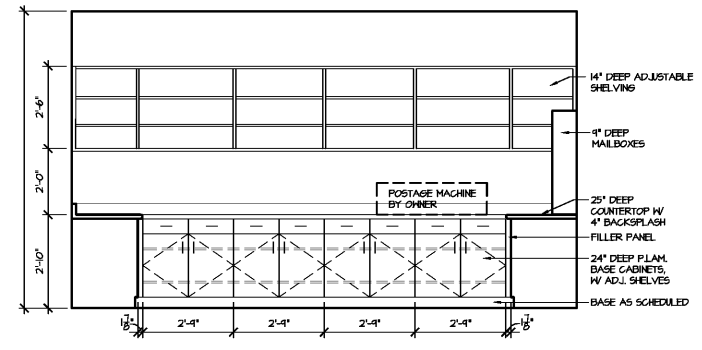
D- PRODUCTION ROOM 123



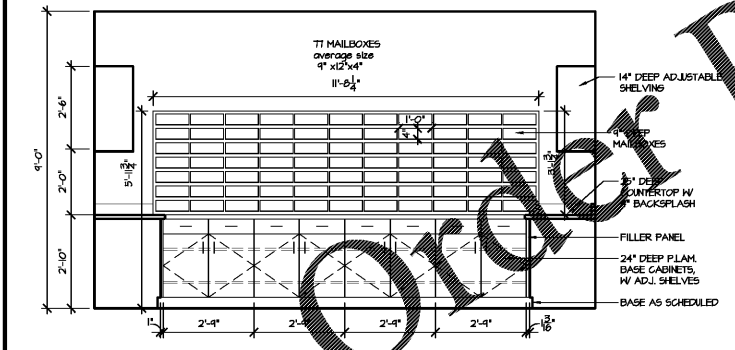
E- PRODUCTION ROOM 123



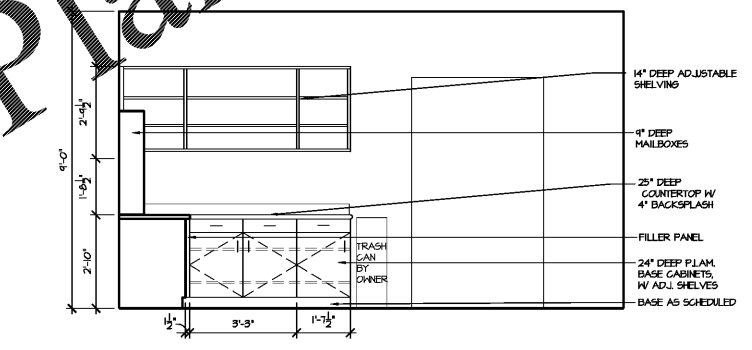
F- WORKROOM 107



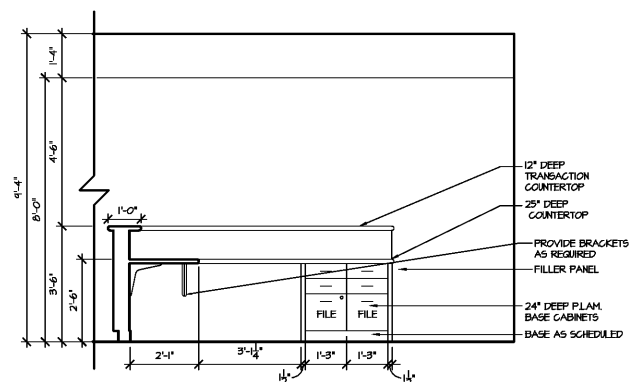
G- WORKROOM 107



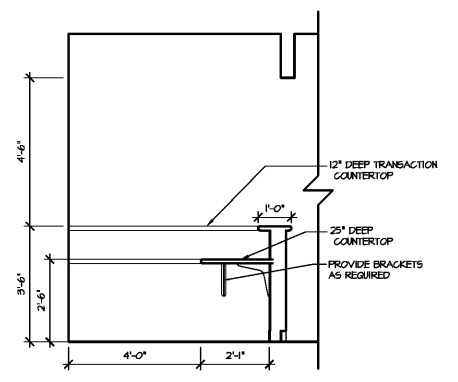
H- WORKROOM 107



J- WORKROOM 107



K- RECEPTION DESK 100



L- RECEPTION DESK 100

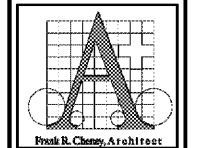
**CASEWORK GENERAL NOTES**

1. ALL BASE AND HALL CABINETS ARE STANDARD DEPTHS UNLESS OTHERWISE NOTED.
2. ALL HALL WIDTHS, CASEWORK AND COUNTERTOP HEIGHTS SHALL BE FIELD VERIFIED BY G.C. PRIOR TO FABRICATION AND INSTALLATION OF CASEWORK.
3. CASEWORK VENDOR TO PROVIDE FILLER PANELS, SUPPORTS, ETC. AS REQUIRED FOR PROPER INSTALLATION AND OPERATION OF ALL UNITS. FIELD VERIFY REQUIRED WIDTHS OF ALL FILLER PANELS SHOWN, AS REQUIRED.
4. FINISHES FOR BASE/HALL CABINETS AND COUNTERTOP/BACKSPLASH MATERIAL SHALL BE AS INDICATED ON INTERIOR DRAWINGS.
5. S.C. SHALL COORDINATE ALL DEVICE LOCATIONS WITH CASEWORK INSTALLATION.
6. PROVIDE 4" RUBBER BASE AT ALL CASEWORK LOCATIONS (REFER TO INTERIORS DRAWINGS FOR TYPE), UNLESS OTHERWISE NOTED.
7. PROVIDE 4" TALL BACKSPLASH AT BACK AND SIDES (WHERE APPLICABLE) OF COUNTERTOPS, AS SHOWN (I.N.O.). AT "TIE" LOCATIONS, CAULK WITH A CLEAR OR MATCHING SILICONE SEALANT.
8. ALL SHELVING INDICATED IN BASE AND HALL CABINETS SHALL BE ADJUSTABLE UNLESS OTHERWISE NOTED.
9. AT ALL LOCATIONS WHERE AREA OPEN UNDER COUNTERTOPS EXCEEDS 24" UNFINISHED WIDTH PROVIDE ADEQUATELY SIZED HEAVY DUTY SUPPORT BRACKETS AT A MAXIMUM OF 36" O.C. TYP. REFER TO CASEWORK ELEVATIONS FOR LOCATIONS WHERE "CONCEALED" COUNTERTOP SUPPORT BRACKETS ARE TO BE PROVIDED.
10. AT ANY/ALL LOCATIONS WHERE ONE OR BOTH ENDS OF CASEWORK IS EXPOSED, CASEWORK DOES NOT TERMINATE INTO A PERPENDICULAR WALL, CONTRACTOR SHALL PROVIDE FINISHES AND PANELS, AS REQUIRED OF SAME FINISH MATERIAL AS CASEWORK. REFER TO THE FLOOR PLAN FOR POSITION INFORMATION.
11. AT ANY/ALL OPEN KNEE SPACE LOCATIONS INDICATED, WHEN THE ELECTRICAL DRAWINGS INDICATE A BELOW-COUNTER OUTLET OR DATA JACK, THE CONTRACTOR SHALL PROVIDE A 3/4" COUNTERTOP GROMMET W/ COVER. EXACT LOCATIONS FOR EACH GROMMET WILL BE CONSIDERED WITH THE FINISHING CONSTRUCTION.
12. PROVIDE 3MM (MIN) EDGE BAND WITH ALL PLASTIC LAMINATE CLAD DOORS, DRAWERS, AND COUNTERTOPS.
13. AT ALL DRAWER LOCATIONS INDICATED, PROVIDE A FILE HANGING SYSTEM WITHIN THE DRAWER UNIT.
14. AT ANY/ALL SINKS WITH NO BASE CABINETS (IF APPLICABLE), PROVIDE PIPE PROTECTION (EQUAL TO "LAV-GUARD") ON ALL EXPOSED PIPES.
15. PROVIDE LOCATIONS DRAWINGS AND CABINETS AS INDICATED AND NOTED DURING SHOP DURING REVIEW.

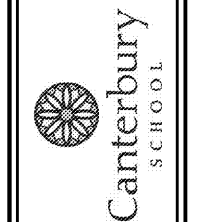


TEAGUE  
FREYALDENHOVEN  
FREYALDENHOVEN  
ARCHITECTS & PLANNERS, LLP

300 NORTH GREENE STREET  
SUITE 285  
GREENSBORO  
NORTH CAROLINA 27401  
TEL. 336.273.0101  
FAX. 336.273.0141



CANTERBURY SCHOOL  
P. DAVID BROWN BUILDING  
5400 OLD LAKE JEANETTE RD  
GREENSBORO, NORTH CAROLINA



DATE	JAN 30, 2020
PROJECT #	19117
FILE #	19117-A3-1
REVISIONS	

THIS DRAWING IS AN INSTRUMENT OF PROFESSIONAL SERVICE PREPARED BY TTT ARCHITECTS & PLANNERS, LLP (TTT), AND IS THE PROPERTY OF TTT. ALLOCATION OF THIS DOCUMENT BY ANY PARTY OTHER THAN TTT IS A VIOLATION OF LAW THAT WILL BE PROSECUTED TO ITS FULLEST EXTENT. THIS DRAWING SHALL NOT BE USED FOR ANY WORK OTHER THAN THAT AUTHORIZED BY THE ARCHITECT. IT IS NOT TO BE COPIED OR REPRODUCED IN PART OR WHOLE.

SHEET  
**A3.1**