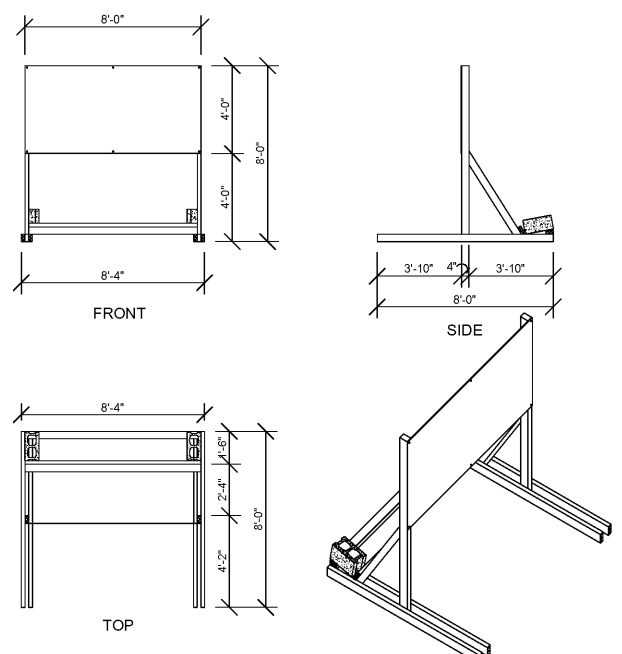
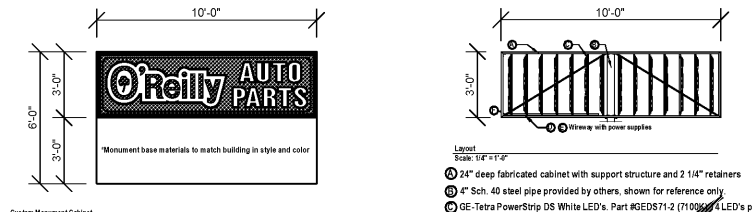


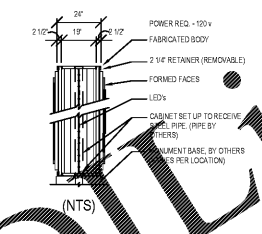
Order Plans @ www.LDILine.com



**1 COMING SOON
TEMPORARY CONSTRUCTION SIGN**
SG1.2 SCALE: 1/4" = 1'-0"



2 GROUND SIGN ELEVATION
SG1.2 SCALE: 1/4" = 1'-0"



- Legend
Scale: 1/4" = 1'-0"
- ① 24" deep fabricated cabinet with support structure and 2 1/4" retainers
 - ② 4" Sch. 40 steel pipe provided by others, shown for reference only
 - ③ GE Tetra PowerStrip DS White LED's, Part #GEDS71-2 (7100mA, 4 LED's per module (7 LED's per side) on GE Tetra Mounting Rails, Part #GEGM1000, Spacing on 10" centers.
 - ④ GE Tetra Power Supplies, Part #GEP524-100U 24 Volt 120-375W, 50/60 HZ, Load capacity: 18 modules per power supply
 - ⑤ Fabricated aluminum internal power supply wiring.
 - ⑥ Disconnect Switch.

GENERAL NOTES

- A REFER TO PROJECT MANUAL FOR ADDITIONAL REQUIREMENTS.
- B CONTACT OWNER'S OR TENANTS DESIGNATED PROJECT ADMINISTRATOR FOR QUESTIONS OR CLARIFICATIONS.
- C PERMANENT SIGNAGE OWNER FURNISHED AND INSTALLED. (REFER TO SCOPE OF WORK SCHEDULE). SIGNAGE GRAPHICS PROVIDED FOR REFERENCE ONLY (N.I.C.) AND CONTRACTOR'S COORDINATION WITH SPECIFIC PROJECT CONSTRUCTION CONDITIONS.
- D SITE SIGN ROUGH-IN ELECTRICAL TO BE PROVIDED BY CONTRACTOR.
- E REQUIRED GOVERNMENTAL PERMITS FOR PERMANENT TYPE SIGNAGE TO BE PROVIDED BY CONTRACTOR COMPANY PER OWNER'S DIRECTION (N.I.C.).
- F "COMING SOON" TEMPORARY CONSTRUCTION SIGN TO BE PROVIDED BY GENERAL CONTRACTOR. APPLIED SIGNAGE GRAPHICS TO BE OWNER FURNISHED AND GENERAL CONTRACTOR INSTALLED. SITE TEMPORARY CONSTRUCTION SIGN ON SITE SO AS TO BE VISIBLE TO PUBLIC FROM RIGHT-OF-WAY.
- G UNLESS OTHERWISE INDICATED, SITE POLE SIGN FOUNDATION CONSTRUCTION BY SIGN CONTRACTOR (BY OTHERS - NOT IN CONTRACT AND SITE MONUMENT SIGN FOUNDATION CONSTRUCTION BY GENERAL CONTRACTOR (BASE BID).

SPECIAL NOTE:
SIGN DESIGN BY OTHERS. REFER TO SIGN CONTRACTOR'S SHOP DRAWINGS FOR ADDITIONAL REQUIREMENTS.

NOTE:
REFER TO SHEET S1.2 FOR SIGN FOUNDATION SYSTEM STRUCTURAL REQUIREMENTS.

INDIVIDUAL ARCHITECTURAL
REGISTRATION NO.:
010441

DESIGN
BY
OTHERS.
FOR
REFERENCE
ONLY

SHEETS BEARING THIS SEAL ARE
AUTHENTICATED. RESPONSIBILITY FOR
ALL OTHER PLANS, SPECIFICATIONS
OR INSTRUMENTS ARE DISCLAIMED.

O'Reilly AUTO PARTS
CORPORATE OFFICES
283 SOUTH PATTERSON
SPRINGFIELD, MISSOURI 65802
(417) 866-2674 TELEPHONE

PROJECT:
**NEW O'REILLY AUTO PARTS STORE
6472 GA-42
REX, GEORGIA**

SITE SIGNAGE DETAILS

Buddy Webb, NCARB, AIA
Architect - Consultant
3057 EAST CAIRO
SPRINGFIELD, MISSOURI 65802
(417) 877-1385 TELEPHONE
(417) 877-9736 FAX

DRAWN BY: AS
CHECKED BY: LG
DATE: 01/08/20
REVISION:
PROJECT NUMBER: REX
SHEET NUMBER:

SG1.2