

ENERGY CODE SPECIAL																					
NATIONAL ACCOUNT ROOFTOP UNIT SCHEDULE - 5 TON - GAS (3-PHASE) - BY O'REILLY																					
RTU - RESPONSIBILITIES					CALL THE CARRIER CUSTOMER SERVICE REP. BELOW FOR CONFIRMATION OF ORDERS. DO NOT CALL CARRIER FOR QUOTES!																
1.) ALL CARRIER HVAC UNITS ARE OWNER SUPPLIED BY O'REILLY AUTOMOTIVE. 2.) MECHANICAL CONTRACTOR IS RESPONSIBLE FOR THE INSTALLATION OF ALL CARRIER HVAC UNITS. 3.) MECHANICAL CONTRACTOR IS RESPONSIBLE FOR THE FIRST YEAR LABOR WARRANTY ON ALL OWNER SUPPLIED EQUIPMENT. 4.) MECHANICAL CONTRACTORS WORKING ON O'REILLY PROJECTS MUST CALL "CARRIER CORPORATION'S NATIONAL ACCOUNTS" DEPARTMENT FOR CONFIRMATION OF ORDERS ONLY! 5.) MECHANICAL CONTRACTOR IS RESPONSIBLE FOR SCHEDULING, SHIPPING & RECEIVING OF ALL CARRIER UNITS FROM CARRIER NATIONAL ACCOUNTS. CONTACT CUSTOMER SERVICE REP. LISTED TO THE RIGHT.					CARRIER CORPORATION, STRATEGIC ACCOUNTS CARRIER PARKWAY SYRACUSE, NEW YORK 13221 CUSTOMER SERVICE REPS: MARIA CAMPANELLO 315-432-3946 Maria.campanello@carrier.utc.com StrategicAccounts2@carrier.utc.com ACCOUNT MANAGER: PAUL WITZ CELL 315-317-2481 paul.witz@carrier.utc.com																
MARK	DESCRIPTION	MFR.	CATALOG NUMBER	HTG. MBH STAGE 1 IN/OUT	HTG. MBH STAGE 2 IN/OUT	HTG. MBH TTL IN/OUT	THERM. EFF.	CLG. MBH TOT.	SEER	EER	CFM	O.A.	ESP	HP	V/PH	ELECTRICAL MCA MOCP	Wt. (lbs.)	ACCESSORIES	REMARKS	REF. DTL.	
RTU-3	WEATHERMASTER PACKAGED ROOFTOP UNIT 5-TON	CARRIER	48HCTA06K2M5-6U1D0	120/96	30/21	150/117	80%	60.4	48.0	15.20	12.45	2000	0.6	1.50	208/3ø 230/3ø	30 30	45* 45*	750	SEE BELOW	△△△ △△△	1/2 2/M2
ACCESSORIES - FACTORY SUPPLIED AND INSTALLED										ACCESSORIES - FACTORY SUPPLIED & FIELD INSTALLED											
HE - 1" STAINLESS STEEL GAS HEAT EXCHANGER, (HIGH HEAT) (15 YR. WARRANTY). SD - RETURN AIR SMOKE DETECTOR. MB - MEDIUM STATIC BLOWER. HG - LOWERED HAIL GUARDS. UPO - UN-POWERED CONVENIENCE OUTLET (FIELD POWERED), 15AMP, 120V, GROUND FAULT CIRCUIT INTERRUPTER (GFCI) TYPE. TBEG - THRU-THE-BOTTOM-ELECTRIC & GAS SERVICES. (SEE ROOF TOP UNIT DETAILS) SS - HI & LOW REFRIGERANT SAFETY SWITCHES. (STANDARD ON EVERY UNIT) AF - 2" RETURN AIR FILTERS. (STANDARD ON EVERY UNIT) EC - LOW LEAK DRY BULB ECONOMIZER X, W/BAROMETRIC RELIEF & 7220 HONEYWELL CONTROL. THIS ECONOMIZER & CONTROLLER IS LISTED BY THE ENERGY CODE AND IS EQUIPPED WITH FAULT DETECTION AND DIAGNOSTICS (FDD) COF - CONDENSATE OVERFLOW SWITCH (CAN'T BE USED WITH HORIZONTAL RETURN UNITS).										CO2 - CO2 SENSOR, WALL MOUNT, #33ZCSP202LCO-01 CO2/SPACE TEMPERATURE SENSOR WITH LCD DISPLAY & NO OVERRIDE. RTRS - REMOTE TEST/RESET STATION, CARRIER #SD-TRM4(CRSDTEST001400) FOR REMOTE TESTING/RESETTING OF DUCT SMOKE DETECTOR. SEE HVAC PLAN FOR MOUNTING LOCATIONS. HSA - ALARM/STROBE, CARRIER #6536-G5(CRSDH18B001400). AUDIBLE/VISUAL SIGNAL DEVICE FOR SIGNALING ALARM OF DUCT SMOKE DETECTOR. SEE HVAC PLAN FOR MOUNTING LOCATIONS.											
ACCESSORIES - O'REILLY SUPPLIED & FIELD INSTALLED										ACCESSORIES - FIELD SUPPLIED & FIELD INSTALLED											
TS1 - GRIDPOINT THERMOSTAT. (NO SUBSTITUTIONS). REFER TO EM SHEETS. DS - NON-FUSED DISCONNECT SWITCH. (GRAYBAR/O'REILLY) SUPPLIED W/ ELECTRICAL BILL OF MATERIALS.										RC1 - ROOF CURB, (12" STANDARD, 14" IN EXTREME SNOW DRIFT AREA'S) ON NEW BUILDING, ROOF CURB IS BY BUILDING MANUFACTURER. ON EXISTING BUILDING, ROOF CURB IS BY GENERAL CONTRACTOR. WEIGHT OF ROOF CURB IS NOT INCLUDED IN THE WEIGHT ABOVE.											
REMARKS																					
△ COOLING CAPACITY BASED ON 80°F EDB AND 67°F EWB. △ CAPACITY BASED ON 95°F AMBIENT TEMPERATURE. △ NOTE: HVAC COMPLETION, AT CONSTRUCTION COMPLETION: 1. CONTRACTOR SHALL REPLACE ALL RETURN AIR FILTERS INSIDE ALL HVAC UNITS W/CLEAN NEW AIR FILTERS. 2. CONTRACTOR SHALL SUPPLY AN ADDITIONAL CLEAN SET OF FILTERS TO THE OWNER AT JOB COMPLETION. 3. CONTRACTOR SHALL SHOW THE STORE MANAGER THE LOCATION OF & INSTRUCT HIM/HER HOW TO CHANGE ALL AIR FILTERS. △ FACTORY EQUIPPED WITH STANDARD LOW AMBIENT COOLING TO 35°F ODB.																					

ENERGY CODE SPECIAL																					
NATIONAL ACCOUNT ROOFTOP UNIT SCHEDULE - 7.5 TON - GAS (3-PHASE) - BY O'REILLY																					
RTU - RESPONSIBILITIES					CALL THE CARRIER CUSTOMER SERVICE REP. BELOW FOR CONFIRMATION OF ORDERS. DO NOT CALL CARRIER FOR QUOTES!																
1.) ALL CARRIER HVAC UNITS ARE OWNER SUPPLIED BY O'REILLY AUTOMOTIVE. 2.) MECHANICAL CONTRACTOR IS RESPONSIBLE FOR THE INSTALLATION OF ALL CARRIER HVAC UNITS. 3.) MECHANICAL CONTRACTOR IS RESPONSIBLE FOR THE FIRST YEAR LABOR WARRANTY ON ALL OWNER SUPPLIED EQUIPMENT. 4.) MECHANICAL CONTRACTORS WORKING ON O'REILLY PROJECTS MUST CALL "CARRIER CORPORATION'S NATIONAL ACCOUNTS" DEPARTMENT FOR CONFIRMATION OF ORDERS ONLY! 5.) MECHANICAL CONTRACTOR IS RESPONSIBLE FOR SCHEDULING, SHIPPING & RECEIVING OF ALL CARRIER UNITS FROM CARRIER NATIONAL ACCOUNTS. CONTACT CUSTOMER SERVICE REP. LISTED TO THE RIGHT.					CARRIER CORPORATION, STRATEGIC ACCOUNTS CARRIER PARKWAY SYRACUSE, NEW YORK 13221 CUSTOMER SERVICE REPS: MARIA CAMPANELLO 315-432-3946 Maria.campanello@carrier.utc.com StrategicAccounts2@carrier.utc.com ACCOUNT MANAGER: PAUL WITZ CELL 315-317-2481 paul.witz@carrier.utc.com																
MARK	DESCRIPTION	MFR.	CATALOG NUMBER	HTG. MBH STAGE 1 IN/OUT	HTG. MBH STAGE 2 IN/OUT	HTG. MBH TTL IN/OUT	THERM. EFF.	CLG. MBH TOT./SENS.	SEER	EER	CFM	O.A.	ESP	HP	V/PH	ELECTRICAL MCA MOCP	Wt. (lbs.)	ACCESSORIES	REMARKS	REF. DTL.	
RTU-1 RTU-2	WEATHERMASTER PACKAGED ROOFTOP UNIT 7.5-TON	CARRIER	48HCRD08K2M5-6U1K0	120/98	80/50	180/148	82%	46.5/36	46.5/36	93/72	13.8	12.00	3000	0.6	1.50	208V/230V/3ø 41	50*	117	SEE BELOW	△△△ △△△	1/2 2/M2
ACCESSORIES - FACTORY SUPPLIED AND INSTALLED										ACCESSORIES - FACTORY SUPPLIED & FIELD INSTALLED											
HE - STAINLESS STEEL GAS HEAT EXCHANGER, (MEDIUM HEAT) (15 YR. WARRANTY). SD - RETURN AIR SMOKE DETECTOR. MB - MEDIUM STATIC BLOWER. (2 SPEED). HG - LOWERED HAIL GUARDS. UPO - UN-POWERED CONVENIENCE OUTLET (FIELD POWERED), 15AMP, 120V, GROUND FAULT CIRCUIT INTERRUPTER (GFCI) TYPE. TBEG - THRU-THE-BOTTOM-ELECTRIC & GAS SERVICES. (SEE ROOF TOP UNIT DETAILS) SS - HI & LOW REFRIGERANT SAFETY SWITCHES. (STANDARD ON EVERY UNIT) AF - 2" RETURN AIR FILTERS. (STANDARD ON EVERY UNIT) VFD - 2 SPEED FAN CONTROLLER. (VFD) EC - LOW LEAK DRY BULB ECONOMIZER X, W/BAROMETRIC RELIEF & 7220 HONEYWELL CONTROL. THIS ECONOMIZER & CONTROLLER IS LISTED BY THE ENERGY CODE AND IS EQUIPPED WITH FAULT DETECTION AND DIAGNOSTICS (FDD) COF - CONDENSATE OVERFLOW SWITCH (CAN'T BE USED WITH HORIZONTAL RETURN UNITS).										CO2 - CO2 SENSOR, WALL MOUNT, #33ZCSP202LCO-01 CO2/SPACE TEMPERATURE SENSOR WITH LCD DISPLAY & NO OVERRIDE. RTRS - REMOTE TEST/RESET STATION, CARRIER #SD-TRM4(CRSDTEST001400) FOR REMOTE TESTING/RESETTING OF DUCT SMOKE DETECTOR. SEE HVAC PLAN FOR MOUNTING LOCATIONS. HSA - ALARM/STROBE, CARRIER #6536-G5(CRSDH18B001400). AUDIBLE/VISUAL SIGNAL DEVICE FOR SIGNALING ALARM OF DUCT SMOKE DETECTOR. SEE HVAC PLAN FOR MOUNTING LOCATIONS.											
ACCESSORIES - O'REILLY SUPPLIED & FIELD INSTALLED										ACCESSORIES - FIELD SUPPLIED & FIELD INSTALLED											
TS1 - GRIDPOINT THERMOSTAT. (NO SUBSTITUTIONS). REFER TO EM SHEETS. DS - NON-FUSED DISCONNECT SWITCH. (GRAYBAR/O'REILLY) SUPPLIED W/ ELECTRICAL BILL OF MATERIALS.										RC1 - ROOF CURB, (12" STANDARD, 14" IN EXTREME SNOW DRIFT AREA'S) ON NEW BUILDING, ROOF CURB IS BY BUILDING MANUFACTURER. ON EXISTING BUILDING, ROOF CURB IS BY GENERAL CONTRACTOR. WEIGHT OF ROOF CURB IS NOT INCLUDED IN THE WEIGHT ABOVE.											
REMARKS																					
△ COOLING CAPACITY BASED ON 80°F EDB AND 67°F EWB. △ CAPACITY BASED ON 95°F AMBIENT TEMPERATURE. △ NOTE: HVAC COMPLETION, AT CONSTRUCTION COMPLETION: 1. CONTRACTOR SHALL REPLACE ALL RETURN AIR FILTERS INSIDE ALL HVAC UNITS W/CLEAN NEW AIR FILTERS. 2. CONTRACTOR SHALL SUPPLY AN ADDITIONAL CLEAN SET OF FILTERS TO THE OWNER AT JOB COMPLETION. 3. CONTRACTOR SHALL SHOW THE STORE MANAGER THE LOCATION OF & INSTRUCT HIM/HER HOW TO CHANGE ALL AIR FILTERS. △ FACTORY EQUIPPED WITH STANDARD LOW AMBIENT COOLING TO 35°F ODB.																					

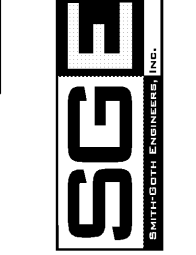


SHEETS BEARING THIS SEAL ARE AUTHENTICATED. RESPONSIBILITY FOR ALL OTHER PLANS, SPECIFICATIONS OR INSTRUMENTS ARE DISCLAIMED.

O'Reilly AUTO PARTS
 CORPORATE OFFICES
 233 SOUTH PATTERSON
 SPRINGFIELD, MISSOURI 65802
 (417) 862-2674 TELEPHONE

PROJECT:
 NEW O'REILLY AUTO PARTS STORE
 6472 GA-42
 REX, GEORGIA
HVAC SCHEDULES

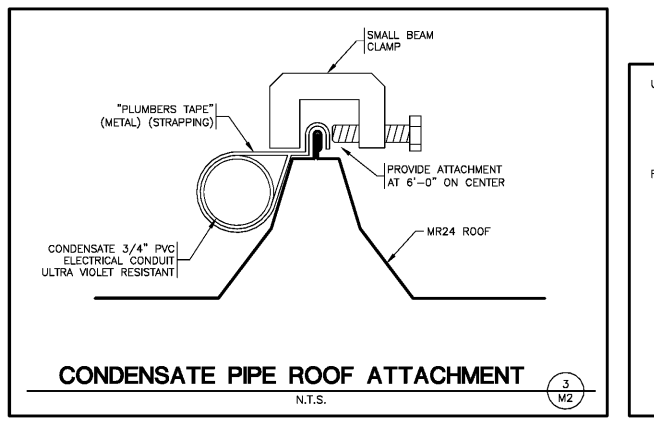
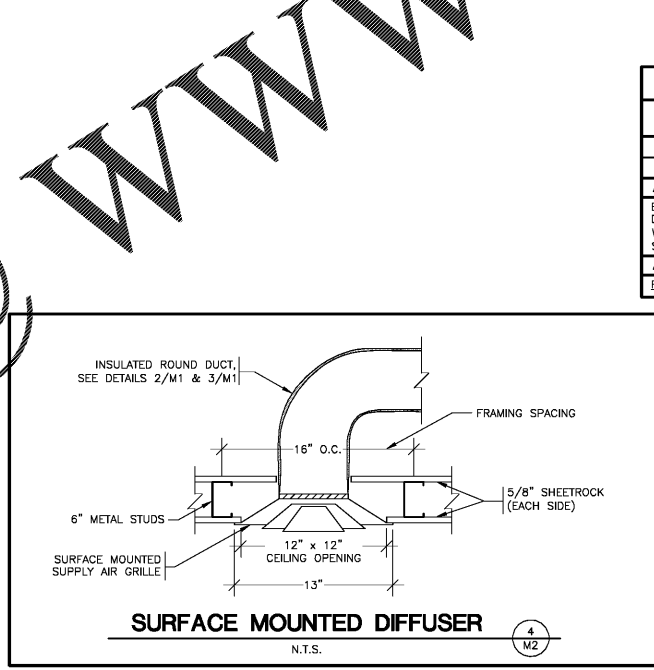
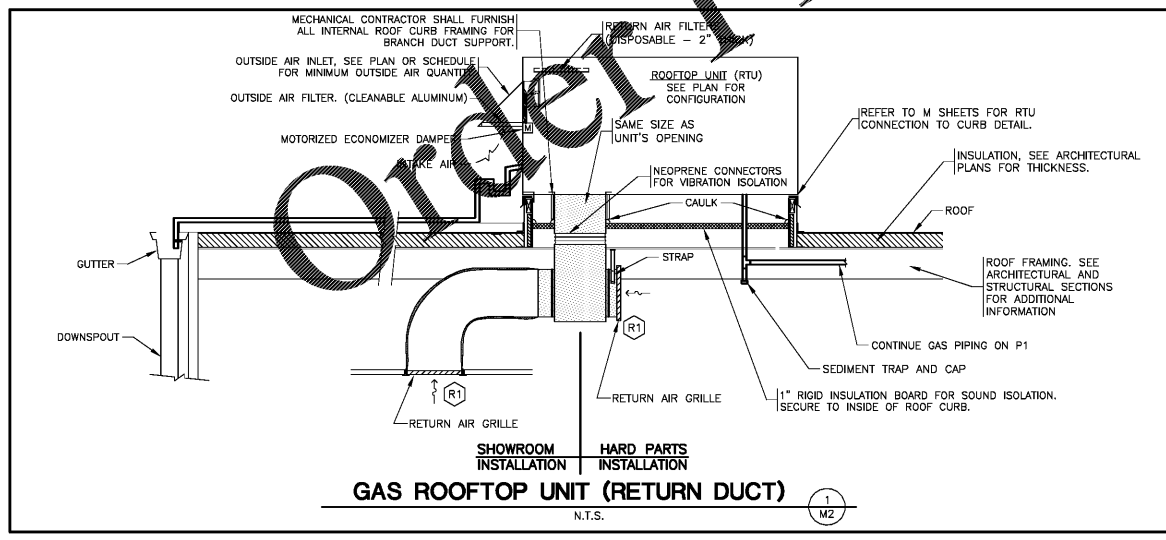
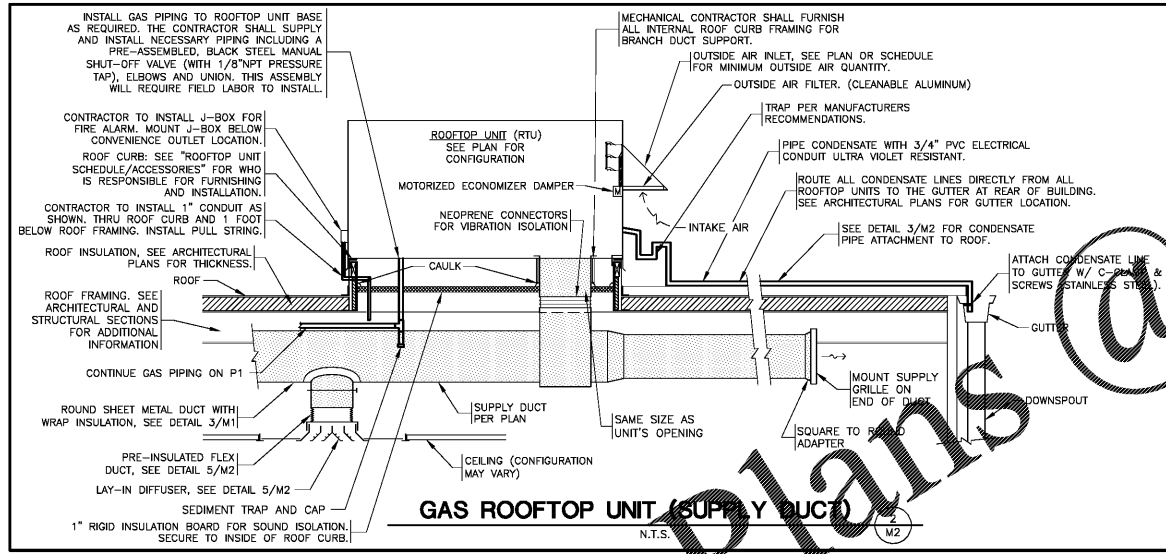
3885 S. JEFFERSON AVE.
 SPRINGFIELD, MO 65807
 P: 417-882-2920
 F: 417-882-1188
 WWW.O'REILLY.COM



DRAWN BY: LHT
 CHECKED BY: ALT/BLC
 DATE: 1/8/20
 REVISION:
 PROJECT NUMBER: REX
 SHEET NUMBER

M2

DESIGNS, DRAWINGS AND SPECIFICATIONS ARE INSTRUMENTS OF SERVICE AND ARE THE PROPERTY OF THE DESIGN PROFESSIONAL. REPRODUCTION PROHIBITED WITHOUT THE EXPRESSED WRITTEN CONSENT OF THE DESIGN PROFESSIONAL.



FAN SCHEDULE										
MARK	DESCRIPTION	MFR.	CATALOG NUMBER	CFM (NOM)	STATIC PRESS.	MOTOR H.P.	ELECTRICAL V/PH MCA MOCP	ACCESSORIES	REMARKS	REF. DETAIL
EF-1	INLINE EXHAUST FAN	COOK	GN-642	500	0.1	195W	120/1	-	BD,DS,WC	△△
EF-2	INLINE FAN	COOK	GN-642	500	0.1	195W	120/1	-	BD,DS,SS	△
ACCESSORIES										
BD	GRAVITY BACK DRAFT DAMPER									
DS	DISCONNECT SWITCH									
WC	WALL CAP, \"COOK\" #WCA-6, ALUMINUM									
SS	FAN SPEED SWITCH \"COOK\" #FSC (OFFICE ONLY)									
APPROVED ALTERNATE MANUFACTURER'S										
FANS:	*GREENHECK	*CARNES								
REMARKS										
△ ADJUST FOR CFM REQUIRED.										
△ EXHAUST FAN SHALL BE WIRED BY THE ELECTRICAL CONTRACTOR TO OPERATE WITH EITHER RESTROOM'S LIGHT SWITCH.										
△ FAN IN OFFICE TO BE CONTROLLED BY FAN SPEED SWITCH.										

GRILLE AND DIFFUSER SCHEDULE										
MARK	DESCRIPTION	MFR.	CATALOG NUMBER	SIZE (in.)	FINISH	MOUNTING	BRANCH DUCT SIZE	ACCESSORIES	REMARKS	REF. DETAIL
G1	SUPPLY GRILLE	ANEMOSTAT	S2HO	14x14	WHITE	DUCT	SEE PLAN	OB		△
S1	SUPPLY DIFFUSER	ANEMOSTAT	E-1-D	12x12	WHITE	SURFACE	SEE PLAN	DT		△△
S2	SUPPLY DIFFUSER	ANEMOSTAT	EPL	24x24	WHITE	DUCT/LAY-IN	SEE PLAN			△
R1	RETURN GRILLE	ANEMOSTAT	GC5	24x24	WHITE	LAY-IN/EXPOSED	SEE PLAN			NON-FILTERED GRILLE
R2	RETURN GRILLE	ANEMOSTAT	GC5	12x12	WHITE	SURFACE	SEE PLAN			NON-FILTERED GRILLE
X1	EXHAUST GRILLE	ANEMOSTAT	S3HS	12x12	WHITE	CEILING	SEE PLAN	OB		△
ACCESSORIES										
OB	OPPOSED BLADE DAMPER									
DT	DIRECTIONAL TABS									
APPROVED ALTERNATE MANUFACTURER'S										
GRILLES, DIFFUSERS & DAMPERS:	*TUTTLE & BAILEY	*NAILOR	*ARROW	*CARNES						
	*PRICE INDUSTRIES	*TITUS	*KRUEGER							
REMARKS										
△ 1-WAY										
△ 4-WAY										
△ DIRECTIONAL TABS, ADJUST TO PROVIDE THROW AS INDICATED ON PLANS.										

