



SHEETS BEARING THIS SEAL ARE AUTHENTICATED. RESPONSIBILITY FOR ALL OTHER PLANS, SPECIFICATIONS OR INSTRUMENTS ARE DISCLAIMED.

O'Reilly AUTO PARTS
 CORPORATE OFFICES
 233 SOUTH PATTERSON
 SPRINGFIELD, MISSOURI 65802
 (417) 862-2674 TELEPHONE

PROJECT:
NEW O'REILLY AUTO PARTS STORE
6472 GA-42
REX, GEORGIA

PLUMBING DETAILS

3885 S. JEFFERSON AVE.
 SPRINGFIELD, MO 65807
 P: 417-882-2200
 F: 417-882-1188
 WWW.O'REILLY.COM



DRAWN BY: **LHT** CHECKED BY: **ALT/BLC**
 DATE: **1/8/20**
 REVISION:

PROJECT NUMBER:
REX

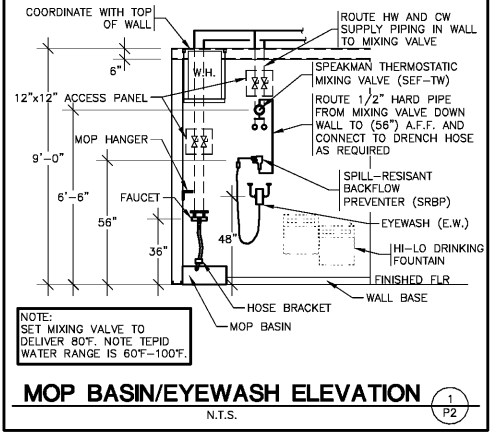
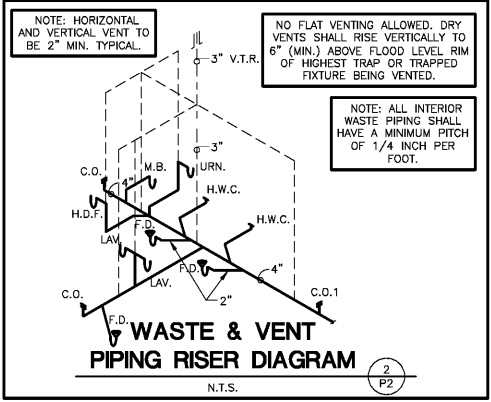
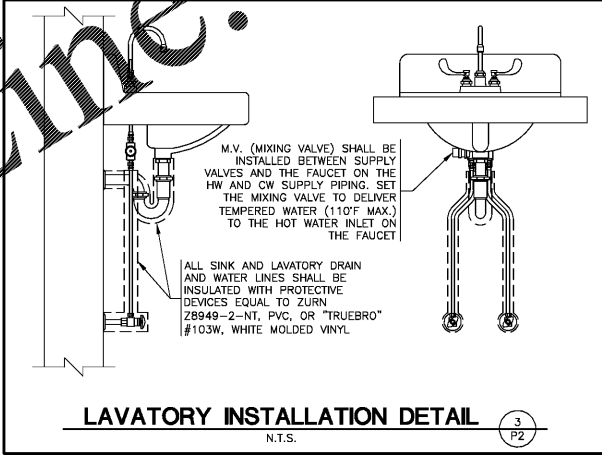
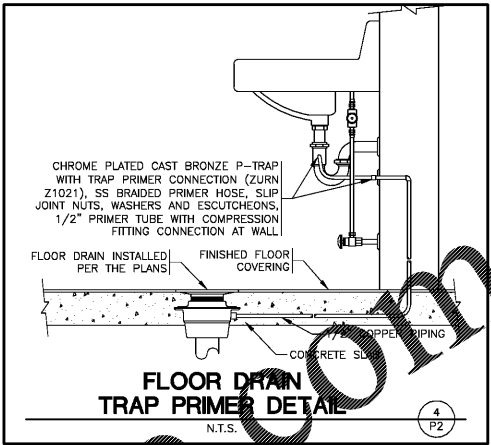
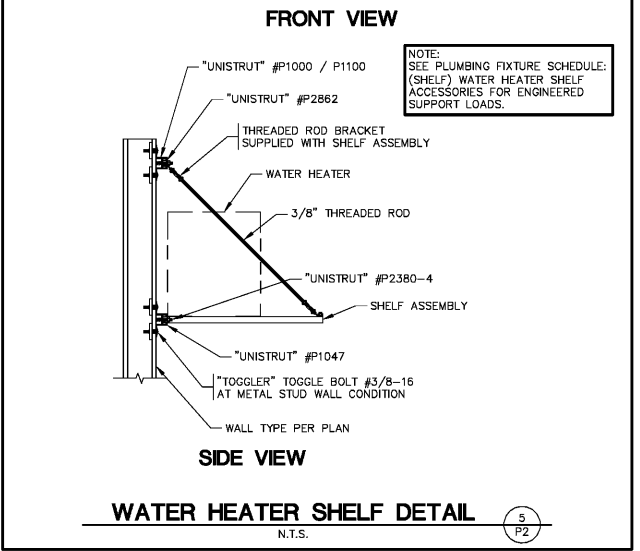
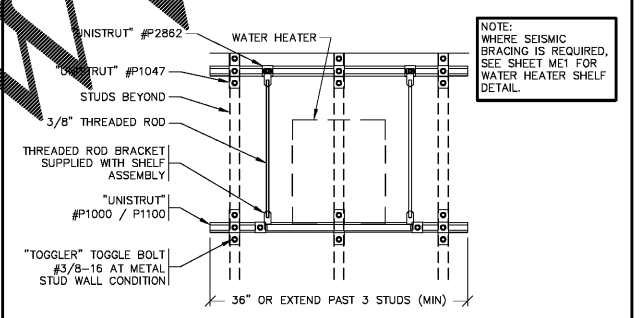
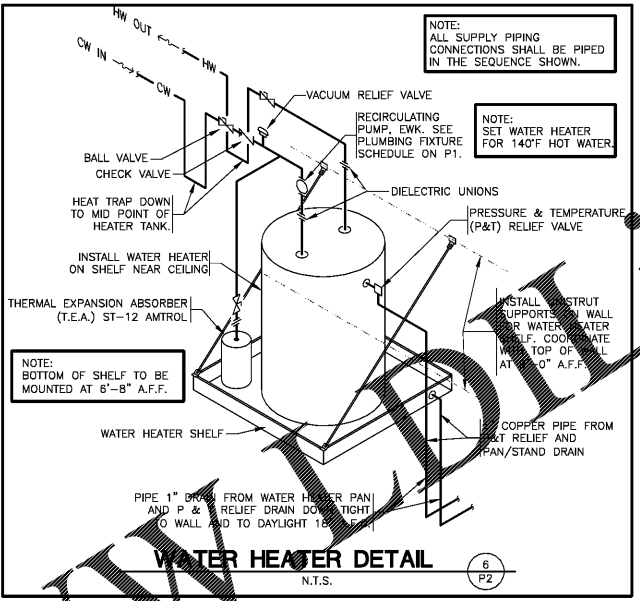
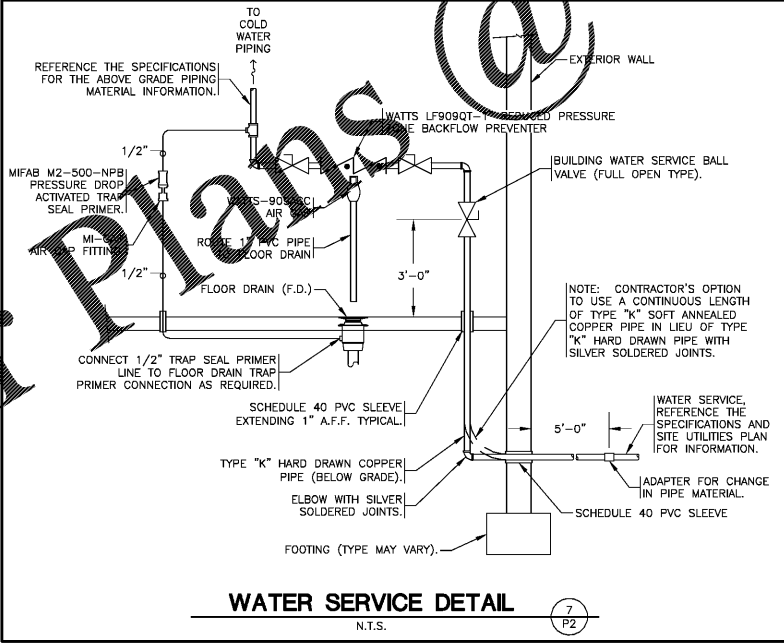
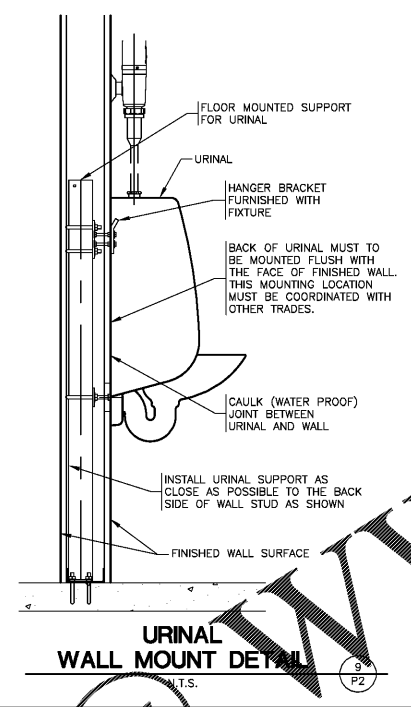
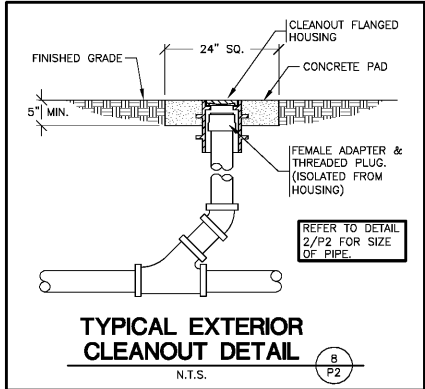
SHEET NUMBER

P2

DESIGNS, DRAWINGS AND SPECIFICATIONS ARE INSTRUMENTS OF SERVICE AND ARE THE PROPERTY OF THE DESIGN PROFESSIONAL. REPRODUCTION PROHIBITED WITHOUT THE EXPRESSED WRITTEN CONSENT OF THE DESIGN PROFESSIONAL. © COPYRIGHT 2019-2020

PLUMBING CALCULATIONS

FIXTURE	QUANTITY	TOTAL-SFU	TOTAL	TOTAL-HW	TOTAL	DFU	TOTAL
W.C. (TANK)	2	5	10	0	0	4	8
URN. (URINAL)	1	5	5	0	0	4	4
LAV. (LAVATORY)	2	2	4	1.5	3.00	2	4
M.B. (MOP BASIN)	1	3	3	1.5	1.50	2	2
H.D.F. (FOUNTAIN)	1	0.25	0.25	0	0	0.5	0.50
H.B. (HOSE BIBB)	2	3	6	0	0	0	0
TOTAL		28.25	TOTAL	4.50	TOTAL	18.50	
TOTAL CW GPM	20	AVERAGE DAILY FLOW = 125 gal/DAY					
COLD WATER SERVICE SIZE	1"						



Order Plans @