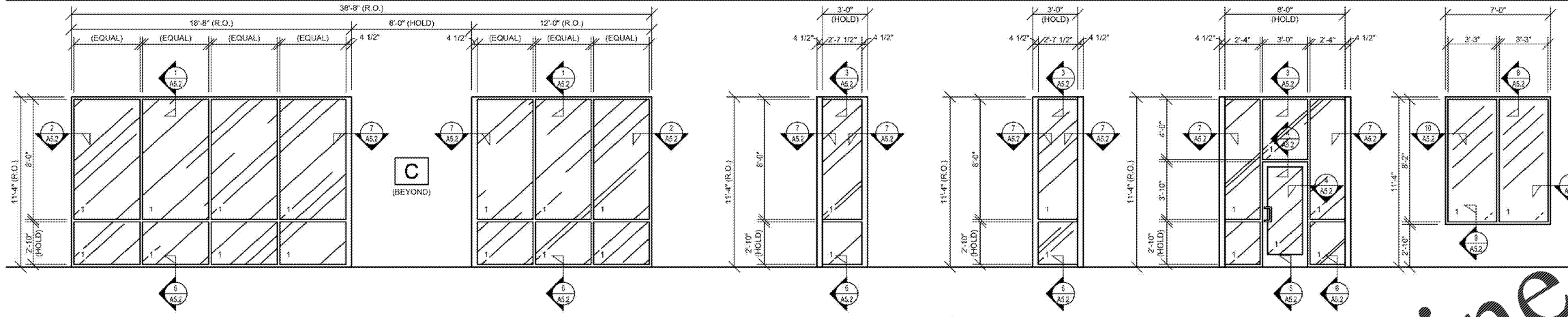


WINDOW TYPES



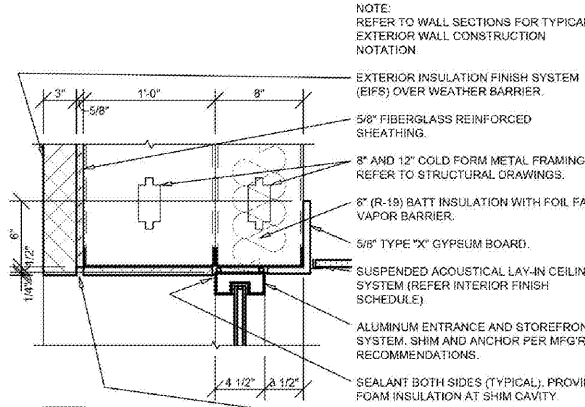
A ALUMINUM STOREFRONT FRAMING (2" X 4 1/2") SYSTEM, THERMALLY BROKEN, FIXED UNIT.

B1 ALUMINUM STOREFRONT FRAMING (2" X 4 1/2") SYSTEM, THERMALLY BROKEN, FIXED UNIT.

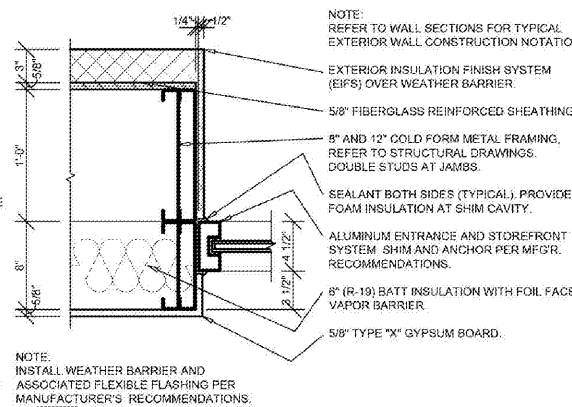
B2 ALUMINUM STOREFRONT FRAMING (2" X 4 1/2") SYSTEM, THERMALLY BROKEN, FIXED UNIT.

C ALUMINUM STOREFRONT FRAMING (2" X 4 1/2") SYSTEM, THERMALLY BROKEN, FIXED UNIT.

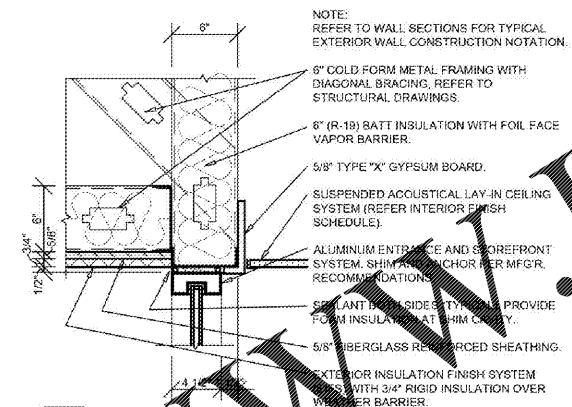
D ALUMINUM STOREFRONT FRAMING (2" X 4 1/2") SYSTEM, THERMALLY BROKEN, FIXED UNIT.



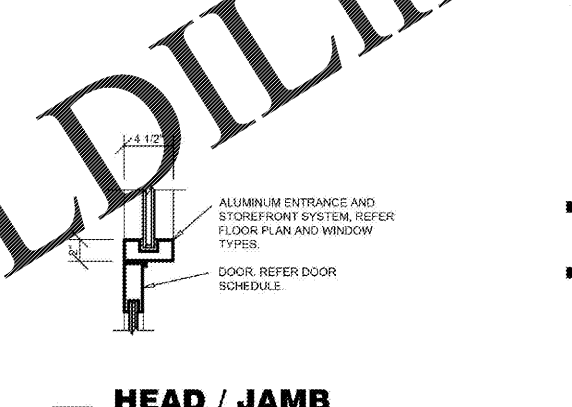
1 HEAD DETAIL
A5.2 SCALE: 1 1/2" = 1'-0"



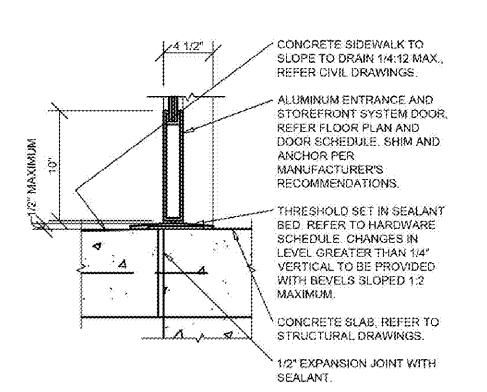
2 JAMB DETAIL
A5.2 SCALE: 1 1/2" = 1'-0"



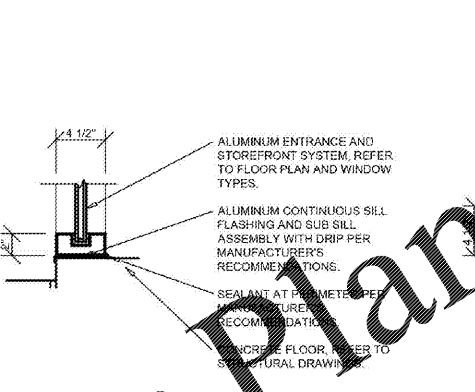
3 HEAD DETAIL
A5.2 SCALE: 1 1/2" = 1'-0"



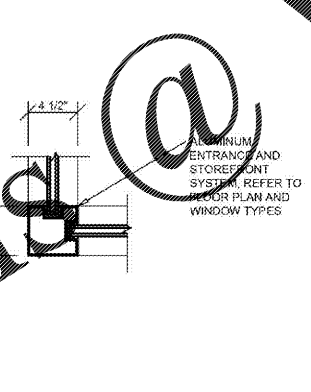
4 HEAD / JAMB DETAIL
A5.2 SCALE: 1 1/2" = 1'-0"



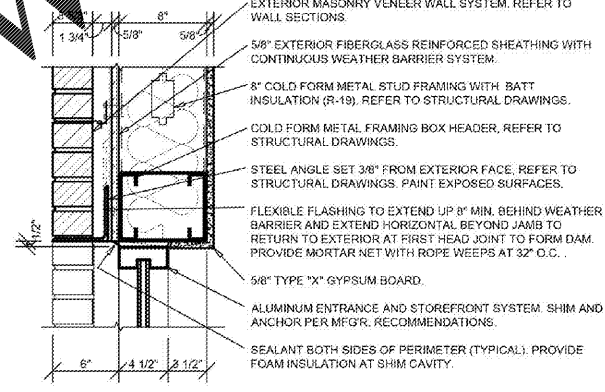
5 SILL DETAIL
A5.2 SCALE: 1 1/2" = 1'-0"



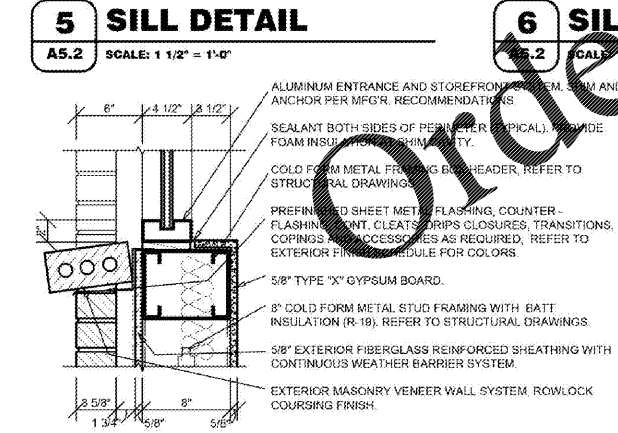
6 SILL DETAIL
A5.2 SCALE: 1 1/2" = 1'-0"



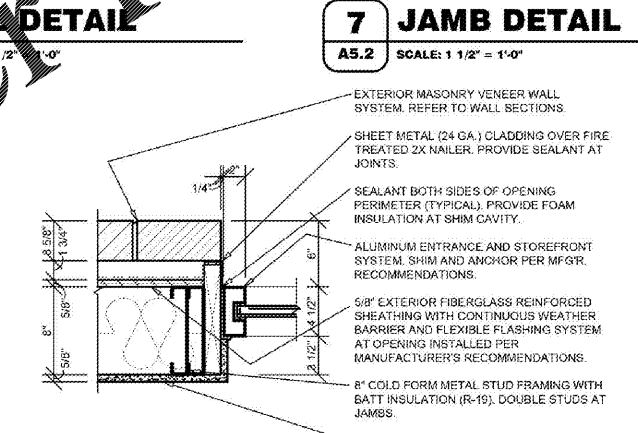
7 JAMB DETAIL
A5.2 SCALE: 1 1/2" = 1'-0"



8 HEAD DETAIL
A5.2 SCALE: 1 1/2" = 1'-0"



9 SILL DETAIL
A5.2 SCALE: 1 1/2" = 1'-0"



10 JAMB DETAIL
A5.2 SCALE: 1 1/2" = 1'-0"

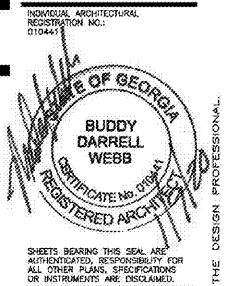
GENERAL NOTES

- (A) REFER TO PROJECT MANUAL FOR ADDITIONAL REQUIREMENTS.
- (B) REFER TO BUILDING CODE SUMMARY FOR PROJECT STRUCTURAL DESIGN CRITERIA. WINDOW FRAMING AND ANCHORING SYSTEMS SHALL BE DESIGNED BY MANUFACTURER TO CONFORM TO PERFORMANCE AND TESTING REQUIREMENTS SPECIFIED.
- (C) REFER TO FLOOR PLAN, ELEVATIONS, AND SECTIONS FOR ADDITIONAL REQUIREMENTS.
- (D) WINDOW TYPE ELEVATIONS SHOWN VIEWED FROM EXTERIOR SIDE.
- (E) REFER TO EXTERIOR FINISH SCHEDULES FOR ALUMINUM WINDOW FRAMING COLORS. PERIMETER SEALANT COLOR TO MATCH WINDOW FRAMING COLOR UNLESS OTHERWISE INDICATED.
- (F) ALL DIMENSIONS TO FACE UNLESS OTHERWISE INDICATED. PROVIDE VERIFICATION OF ROUGH OPENINGS PRIOR TO FABRICATION.
- (G) REFER TO PROJECT MANUAL AND HARDWARE SCHEDULES FOR ADDITIONAL REQUIREMENTS.
- (H) SECURITY SHUTTERS MAY BE REQUIRED. CONTACT PROJECT ADMINISTRATOR FOR VERIFICATION. (REFER TO SCOPE OF WORK SCHEDULE) PROVIDE ADDITIONAL SUPPORT FRAMING SYSTEM AS REQUIRED.
- (I) WHEN WIND SPEED IS EQUAL TO OR GREATER THAN 120 MPH, A STORM PANEL SYSTEM SHALL BE OWNER FURNISHED AND INSTALLED. CONTACT PROJECT ADMINISTRATOR TO VERIFY AND COORDINATE WITH SYSTEM PROVIDED BY OTHERS. (REFER TO SCOPE OF WORK SCHEDULE) PROVIDE ADDITIONAL SUPPORT FRAMING SYSTEM AS REQUIRED.
- (J) CONTRACTOR'S OPTION TO DIRECT ORDER AND PURCHASE WINDOW FRAMING SYSTEM AND GLAZING FROM THE FOLLOWING SUPPLIER (REFER TO SCOPE OF WORK SCHEDULE):

COULTER & COMPANY
13711 E. 86TH ST. N.
OWASSO, OK 74055
PHONE: (918) 272-4494
FAX: (918) 272-7908
EMAIL: car@coulterglass.com
CONTACT: Carl Yoman

GLAZING SCHEDULE

- 1 1" INSULATED SAFETY GLAZING (1/4" WITRO SOLARBAN 87 (2) SOLEXIA / 1/4" CLEAR INTERIOR PANE) SOLAR HEAT GAIN COEFFICIENT .25



Reilly Auto Parts
CORPORATE OFFICES
233 SOUTH PATTERSON
SPRINGFIELD, MISSOURI 65802
(417) 862-2674 TELEPHONE

PROJECT:
NEW O'REILLY AUTO PARTS STORE
6472 GA-42
REX, GEORGIA
WINDOW SCHEDULE

Buddy Webb, NCARB, AIA
Architect - Consultant
3057 EAST CAIRO
SPRINGFIELD, MISSOURI 65802
(417) 877-1386 TELEPHONE
(417) 877-8736 FAX

DESIGN BY:	CHECKED BY:
AS	LG
DATE:	01/08/20
REVISION:	
PROJECT NUMBER:	REX
SHEET NUMBER:	

A5.2

REPRODUCTION PROHIBITED WITHOUT THE EXPRESSED WRITTEN CONSENT OF THE DESIGN PROFESSIONAL. COPYRIGHT 2020 1 DESIGNS. DRAWINGS AND SPECIFICATIONS ARE INSTRUMENTS OF SERVICE AND ARE THE PROPERTY OF THE DESIGN PROFESSIONAL.