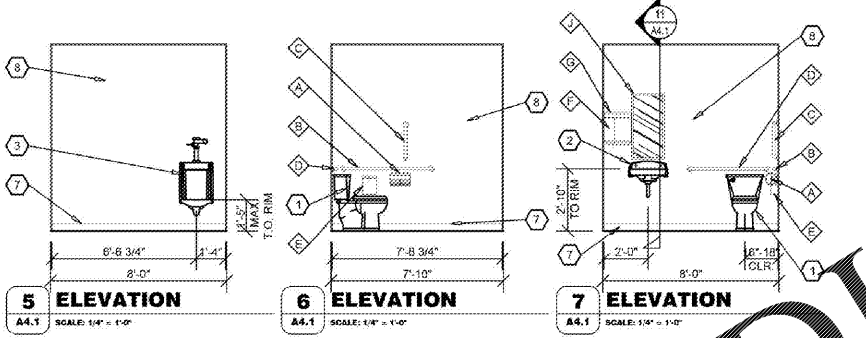
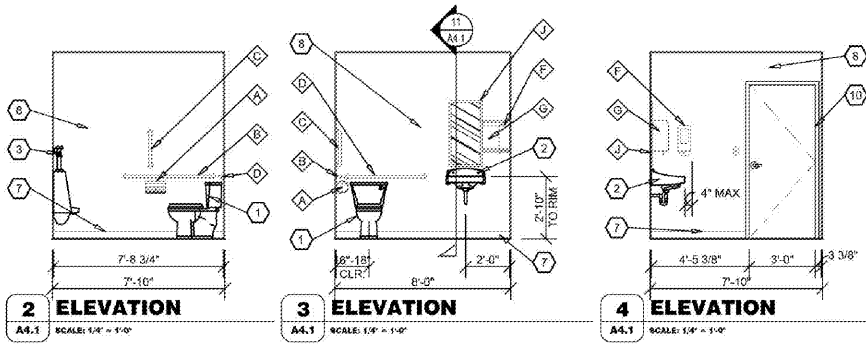


NOTE: REFER TO OVERALL FLOOR PLAN FOR RESTROOM ORIENTATION AND LAYOUT OF ADJACENT WALLS.



1A ENLARGED PLAN
A4.1 SCALE: 1/4" = 1'-0"

1B ENLARGED PLAN (ACCESSIBILITY CLEARANCE DIAGRAMS)
A4.1 SCALE: 1/4" = 1'-0"

2 ELEVATION
A4.1 SCALE: 1/4" = 1'-0"

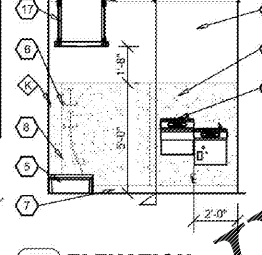
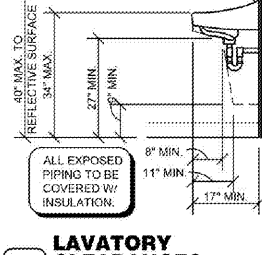
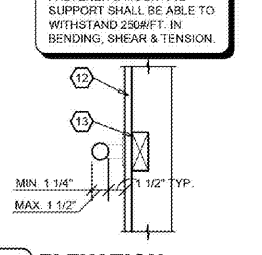
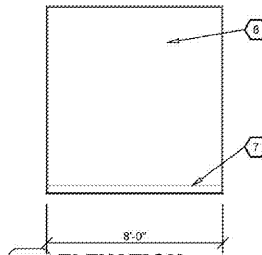
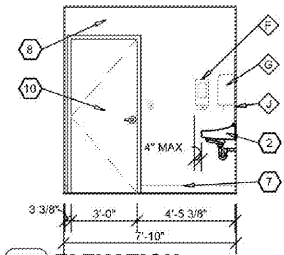
3 ELEVATION
A4.1 SCALE: 1/4" = 1'-0"

4 ELEVATION
A4.1 SCALE: 1/4" = 1'-0"

5 ELEVATION
A4.1 SCALE: 1/4" = 1'-0"

6 ELEVATION
A4.1 SCALE: 1/4" = 1'-0"

7 ELEVATION
A4.1 SCALE: 1/4" = 1'-0"



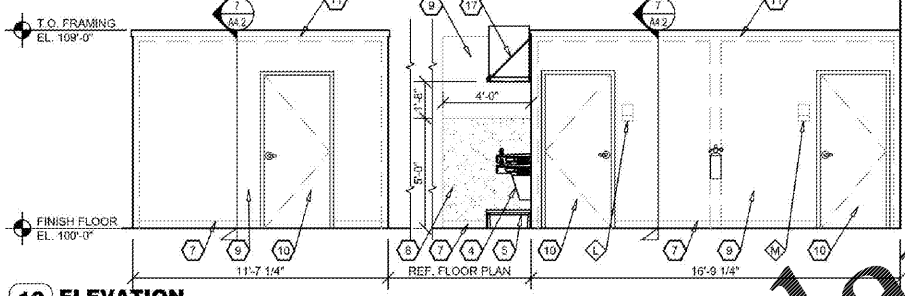
8 ELEVATION
A4.1 SCALE: 1/4" = 1'-0"

9 ELEVATION
A4.1 SCALE: 1/4" = 1'-0"

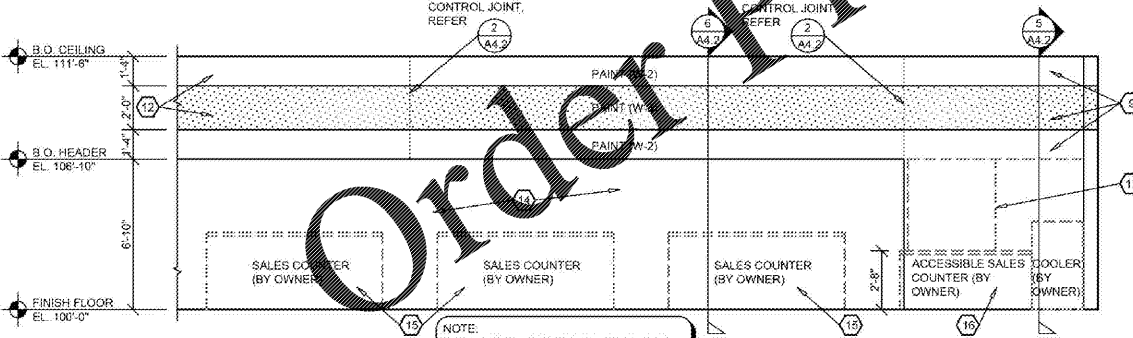
10 ELEVATION
A4.1 SCALE: 1/4" = 1'-0"

11 LAVATORY CLEARANCES
A4.1 SCALE: 1/2" = 1'-0"

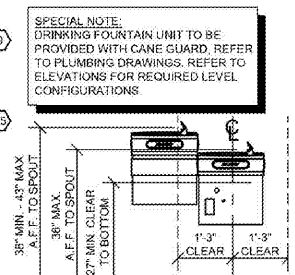
12 ELEVATION
A4.1 SCALE: 1/4" = 1'-0"



13 ELEVATION
A4.1 SCALE: 1/4" = 1'-0"



14 ELEVATION
A4.1 SCALE: 1/4" = 1'-0"



15 DRINKING FOUNTAIN CLEARANCES
A4.1 SCALE: 1/2" = 1'-0"

Order Plans @

www.LDOnline.com

GENERAL NOTES

- A REFER TO PROJECT MANUAL FOR ADDITIONAL REQUIREMENTS.
- B LAYOUT DIMENSIONS OF PLUMBING FIXTURES AND ACCESSORIES TO FACE OF GYPSUM BOARD OR CENTER LINE OF FIXTURE. LAYOUT DIMENSIONS OF WALLS AND CEILINGS TO ROUGH FACE OF FRAMING, MASONRY, OR CENTER LINE OF STRUCTURE. ALL GYPSUM BOARD 5/8" THICK UNLESS OTHERWISE INDICATED AND DIMENSIONS NOT SHOWN FOR CLARITY.
- C REFER TO PLUMBING DRAWINGS FOR FIXTURE TYPES AND ADDITIONAL REQUIREMENTS. PROVIDE ADDITIONAL COLD FORM METAL FRAMING OR FIRE TREATED BLOCKING AS REQUIRED FOR PROPER SUPPORT.
- D REFER TO INTERIOR FINISH SCHEDULES FOR MATERIAL FINISH TYPES AND LOCATIONS.
- E ALL EXPOSED PIPING BELOW SINKS TO BE COVERED WITH INSULATION.

KEY NOTES

- 1 WATER CLOSET ACCESSIBLE FIXTURE HEIGHT TO TOP OF SEAT TO BE 17" MINIMUM AND 19" MAXIMUM A.F.F. ACCESSIBLE TOILET FLUSH CONTROLS TO BE ON WIDE SIDE OF TOILET.
- 2 WALL MOUNTED JANITOR SINK.
- 3 WALL MOUNTED JANITOR SINK TO BE 15" MAXIMUM ABOVE FINISH FLOOR.
- 4 HIGH FLOW DRINKING FOUNTAIN. REFER TO DETAIL 10/A4.1.
- 5 FLOOR MOUNTED JANITOR SINK.

KEY NOTES

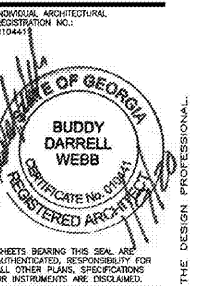
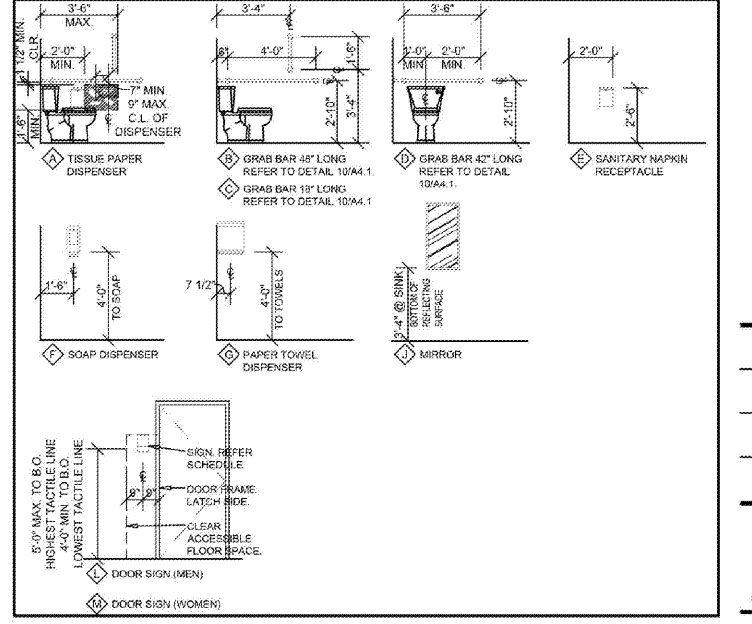
- 6 EYE WASH STATION. INSTALL WITH TOP AT 48" ABOVE FINISH FLOOR.
- 7 BASE. REFER TO FINISH SCHEDULE.
- 8 SANITARY WALL PANEL SYSTEM. REFER TO FINISH SCHEDULE. PROVIDE TRIM AND EDGE MOLDING AROUND PERIMETER. ATTACH TO SUBSTRATE AS REQUIRED.
- 9 PAINT. REFER TO FINISH SCHEDULE.
- 10 DOOR. REFER TO DOOR AND FINISH SCHEDULES.
- 11 WOOD TRIM, PAINT.
- 12 WALL CONSTRUCTION. REFER TO FLOOR PLAN FOR TYPES.
- 13 FIRE TREATED WOOD BLOCKING.
- 14 ALL OPENING TO BEYOND. REFER TO FLOOR PLAN.
- 15 FINISH FURNISHED AND INSTALLED FURNISHING, FLOORING, OR FIXTURE. FOR REFERENCE ONLY (N.I.C.).
- 16 OWNER FURNISHED AND INSTALLED ACCESSIBLE CUSTOMER SERVICE COUNTER TO COMPLY WITH ACCESSIBILITY REQUIREMENTS. FOR REFERENCE ONLY (N.I.C.).
- 17 WALL MOUNTED WATER HEATER AND SUPPORT PLATFORM. REFER TO PLUMBING DRAWINGS. PROVIDE FIRE TREATED BLOCKING OR ADDITIONAL COLD FORM FRAMING AS REQUIRED FOR INSTALLATION.

ACCESSORY SCHEDULE

MK	DESCRIPTION	MANUFACTURER	SERIES / MODEL	MOUNTING LOCATION	ACCESSORY NOTES
A	TISSUE PAPER DISPENSER	GEORGIA PACIFIC	56783A	REFER PLANS, ELEVATIONS, LEGEND	NOTE 2
B	GRAB BAR	BOBRICK	B6806 x 48"	REFER PLANS, ELEVATIONS, LEGEND	
C	GRAB BAR	BOBRICK	B6806 x 18"	REFER PLANS, ELEVATIONS, LEGEND	
D	GRAB BAR	BOBRICK	B6806 x 42"	REFER PLANS, ELEVATIONS, LEGEND	
E	SANITARY NAPKIN RECEPTACLE	BOBRICK	B-270	REFER PLANS, ELEVATIONS, LEGEND	WOMEN'S RESTROOM ONLY
F	SOAP DISPENSER	GOJO	PRO 2000	REFER PLANS, ELEVATIONS, LEGEND	NOTE 2
G	PAPER TOWEL DISPENSER	GEORGIA PACIFIC	59480A	REFER PLANS, ELEVATIONS, LEGEND	NOTE 2
H	(NOTE USED)				
I	MIRROR	BOBRICK	B-165-1838 18" W X 36" H	REFER PLANS, ELEVATIONS, LEGEND	
J	MOP HANGER	REFER TO PLUMBING DRAWINGS	REFER TO PLUMBING DRAWINGS	48" A.F.F. TO CENTER	
K	DOOR SIGN (MEN)	ROCKWOOD	8FM687	REFER PLANS, ELEVATIONS, LEGEND	NOTE 3
L	DOOR SIGN (WOMEN)	ROCKWOOD	8FM688	REFER PLANS, ELEVATIONS, LEGEND	NOTE 3

ACCESSORY GENERAL NOTES:
 1. CONTRACTOR TO PROVIDE FIRE TREATED WOOD BLOCKING FOR INSTALLATION OF TOILET ACCESSORIES, INCLUDING OWNER FURNISHED AND CONTRACTOR INSTALLED ACCESSORIES. COORDINATE REQUIREMENTS WITH OWNER.
 2. ACCESSORY OWNER FURNISHED AND CONTRACTOR INSTALLED. REFER TO SCOPE OF WORK SCHEDULE FOR ADDITIONAL REQUIREMENTS.
 3. TACTILE (BRAILLE GRADE 2 CONTRACTED) SIGN WITH PICTOGRAMS IN COMPLIANCE WITH ANSI A117.1 AND ADA STANDARDS. COLORS WHITE TEXT AND SYMBOLS ON BLUE (NO. 15090 IN FEDERAL STANDARD 595B) BACKGROUND.

ACCESSORY MOUNTING LEGEND



Reilly AUTO PARTS
 CORPORATE OFFICES
 233 SOUTH PATTERSON
 SPRINGFIELD, MISSOURI 65802
 (417) 862-2674 TELEPHONE

PROJECT:
NEW O'REILLY AUTO PARTS STORE
6472 GA-42
REX, GEORGIA
INTERIOR ELEVATIONS

Buddy Webb, NCARB, AIA
Architect - Consultant
 3057 EAST CAIRO
 SPRINGFIELD, MISSOURI 65802
 (417) 877-1395 TELEPHONE
 (417) 877-9736 FAX

DRAWN BY: AS
 CHECKED BY: LG
 DATE: 01/08/20
 REVISION:
 PROJECT NUMBER:
REX
 SHEET NUMBER:
A4.1