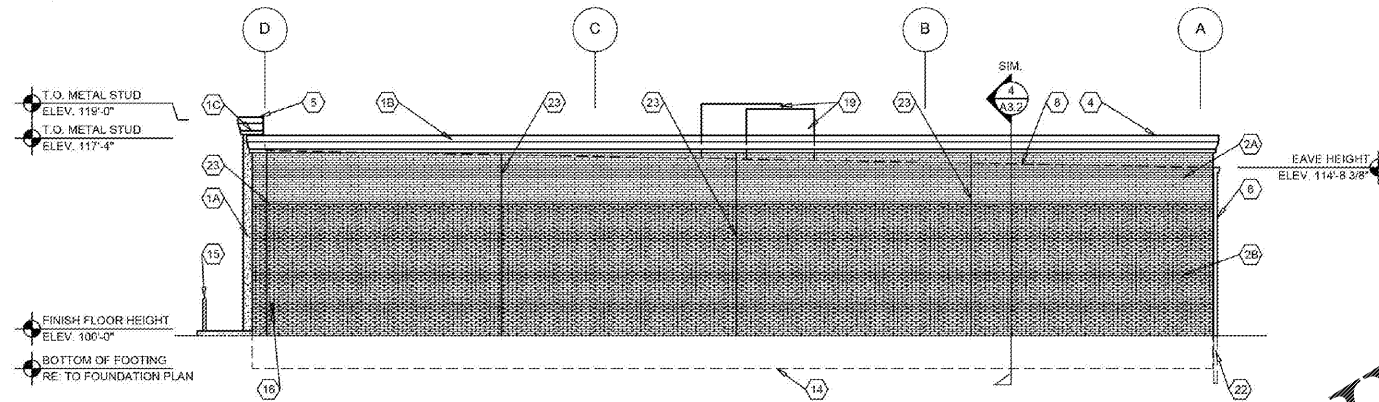


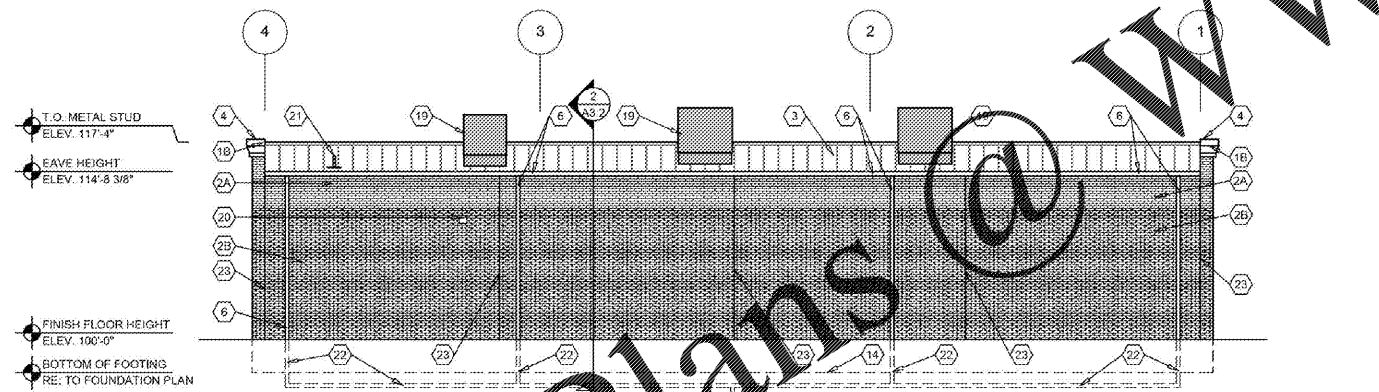
1 FRONT EXTERIOR ELEVATION

A2.1 SCALE: 1/8" = 1'-0"



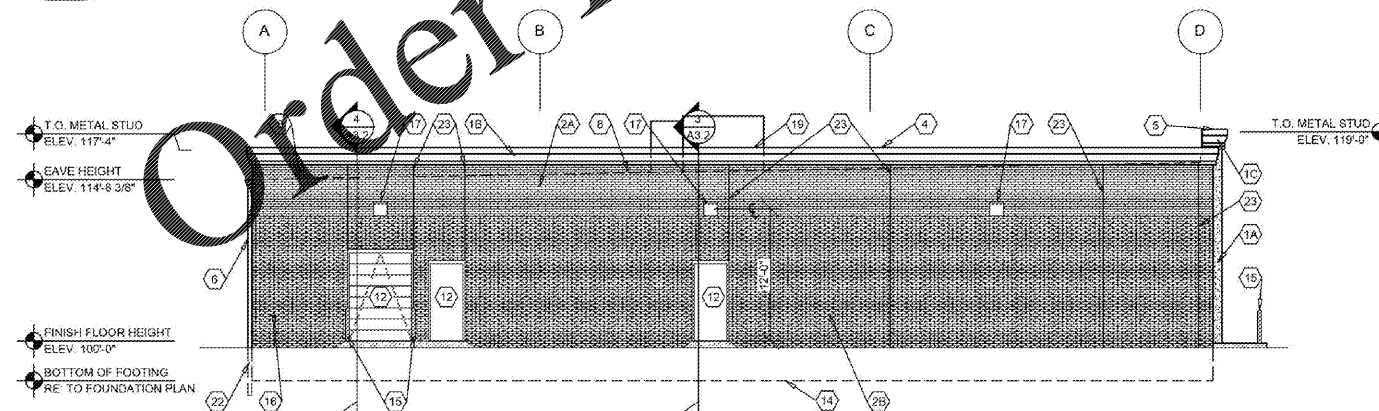
2 RIGHT EXTERIOR ELEVATION

A2.1 SCALE: 1/8" = 1'-0"



3 REAR EXTERIOR ELEVATION

A2.1 SCALE: 1/8" = 1'-0"



4 LEFT EXTERIOR ELEVATION

A2.1 SCALE: 1/8" = 1'-0"

EXTERIOR FINISH SCHEDULE

EXTERIOR INSULATION AND FINISH SYSTEM (EIFS)
KEY NOTE NO. 1A:
 MFG: DRYVIT SPECIFIED, EQUAL BY STO OR BASF (NO SUBSTITUTES)
 SERIES: OUTSULATION PLUS MD
 TEXTURE: SANDBLAST
 COLOR: DRYVIT "ORAP011030S" STRATOTONE HIGH PERFORMANCE
 COLOR STANDARD, SHERWIN WILLIAMS "POSITIVE RED" SW6871
 (SHER-CRYL) GLOSS

KEY NOTE NO. 1B:
 MFG: DRYVIT SPECIFIED, EQUAL BY STO OR BASF (NO SUBSTITUTES)
 SERIES: OUTSULATION PLUS MD
 TEXTURE: SANDBLAST
 COLOR: SHERWIN WILLIAMS "SOFTER TAN" SW6141

KEY NOTE NO. 1C:
 MFG: DRYVIT SPECIFIED, EQUAL BY STO OR BASF (NO SUBSTITUTES)
 SERIES: OUTSULATION PLUS MD
 TEXTURE: SANDBLAST
 COLOR: SHERWIN WILLIAMS "POSITIVE RED" SW6871

UNIT MASONRY
KEY NOTE NO. 2A:
 TYPE: CLAY MASONRY UNIT
 MFG: ACME BRICK
 SIZE: 2 1/4" X 3 5/8" X 7 5/8" (MODULAR)
 COURSING: RUNNING BOND
 COLOR: (FIELD COLOR) BLEND 30 DOVE GRAY VELOUR
 MORTAR COLOR: NATURAL GRAY

KEY NOTE NO. 2B:
 TYPE: CLAY MASONRY UNIT
 MFG: ACME BRICK
 SIZE: 2 1/4" X 3 5/8" X 7 5/8" (MODULAR)
 COURSING: RUNNING BOND
 COLOR: (FIELD COLOR) BLEND 600 OXFORD BROWN VELOUR
 MORTAR COLOR: NATURAL GRAY

KEY NOTE NO. 2C:
 TYPE: CLAY MASONRY UNIT
 MFG: ACME BRICK
 SIZE: 2 1/4" X 3 5/8" X 7 5/8" (MODULAR)
 COURSING: RUNNING BOND
 COLOR: (FIELD COLOR) BLEND 600 OXFORD BROWN VELOUR
 MORTAR COLOR: NATURAL GRAY

FLASHING AND SHEET METAL
KEY NOTE NO. 3:
 TYPE: STANDING SEAM ROOFING SYSTEM
 MFG: (REFER TO PRE-ENGINEERED METAL BUILDING SHOP DRAWINGS)
 COLOR: GALVALUME

KEY NOTE NO. 4:
 TYPE: CAP FLASHING AT MASONRY
 MFG: (REFER TO PRE-ENGINEERED METAL BUILDING SHOP DRAWINGS)
 FINISH: PREFINISHED, FIELD BREAK
 COLOR: EQUAL TO BUTLER BUILDING "COOL BIRCH WHITE"

KEY NOTE NO. 5:
 TYPE: CAP FLASHING AT EXTERIOR INSULATION FINISH SYSTEM (EIFS)
 MFG: (REFER TO PRE-ENGINEERED METAL BUILDING SHOP DRAWINGS)
 FINISH: FACTORY PRIMED AND FIELD PAINT
 COLOR: SHERWIN WILLIAMS "POSITIVE RED" SW6871 (SHER-CRYL) GLOSS
 WITH SHERWIN WILLIAMS THREE COMPONENT (B651105 / B65V105 / B65C105) CLEAR URETHANE

KEY NOTE NO. 6:
 TYPE: GUTTER AND DOWNSPOUTS
 MFG: (REFER TO PRE-ENGINEERED METAL BUILDING SHOP DRAWINGS)
 FINISH: PREFINISHED
 COLOR: EQUAL TO BUTLER BUILDING "COOL BIRCH WHITE"

DOORS AND WINDOWS
KEY NOTE NO. 12:
 TYPE: STEEL DOORS AND FRAMES (DOORS NO. 2 AND 7)
 MFG: (OWNER FURNISHED / CONTRACTOR INSTALLED)
 FINISH: FACTORY PRIMED AND FIELD PAINTED
 COLOR: SHERWIN WILLIAMS (MATCH ADJACENT MASONRY COLOR)
 (SEMI-GLOSS)

KEY NOTE NO. 12:
 TYPE: STEEL DOORS AND FRAMES (DOORS NO. 3)
 MFG: (REFER PROJECT MANUAL)
 FINISH: FACTORY PRIMED AND FIELD PAINTED
 COLOR: SHERWIN WILLIAMS (MATCH ADJACENT MASONRY COLOR)
 (SEMI-GLOSS)

KEY NOTE NO. 13:
 TYPE: (REFER TO WINDOW SCHEDULE)
 MFG: EFCO, KAWNEER, OR OLD CASTLE (VISTA WALL) (NO SUBSTITUTES)
 COLOR: EFCO "IVY", KAWNEER "DARK IVY", VISTA WALL "INTERSTATE GREEN"

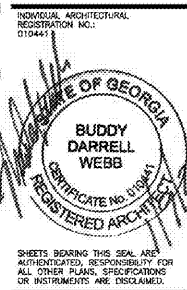
PAINTING
KEY NOTE NO. 15:
 TYPE: STEEL BOLLARDS (REFER TO CIVIL DRAWINGS)
 FINISH: FIELD PRIMED AND PAINTED
 COLOR: SHERWIN WILLIAMS "HUNT CLUB" SW6488 (SEMI-GLOSS)

GENERAL NOTES

- A REFER TO PROJECT MANUAL FOR ADDITIONAL REQUIREMENTS.
- B REFER TO CIVIL DRAWINGS FOR ADDITIONAL REQUIREMENTS.
- C REFER TO PLUMBING, MECHANICAL, AND ELECTRICAL DRAWINGS FOR SYSTEM TYPES AND ADDITIONAL REQUIREMENTS.
- D REFER TO EXTERIOR FINISH SCHEDULE FOR MATERIAL TYPES.
- E REFER TO PRE-ENGINEERED METAL BUILDING SHOP DRAWINGS FOR ADDITIONAL REQUIREMENTS.
- F REFER TO SCOPE OF WORK SCHEDULE FOR ADDITIONAL REQUIREMENTS.

KEY NOTES

- 1A EXTERIOR INSULATION AND FINISH SYSTEM (EIFS).
- 1B EXTERIOR INSULATION AND FINISH SYSTEM IN CUSTOM PROFILE (EIFS).
- 1C EXTERIOR INSULATION AND FINISH SYSTEM IN CUSTOM PROFILE (EIFS).
- 2A CLAY MASONRY UNIT EXTERIOR WALL CONSTRUCTION (ACCENT COLOR). REFER TO PLANS, SECTIONS, AND DETAILS FOR ADDITIONAL REQUIREMENTS.
- 2B CLAY MASONRY UNIT EXTERIOR WALL CONSTRUCTION (FIELD COLOR). REFER TO PLANS, SECTIONS, AND DETAILS FOR ADDITIONAL REQUIREMENTS.
- 2C PRE-ENGINEERED METAL BUILDING SHEET METAL ROOFING SYSTEM.
- 3 PRE-ENGINEERED METAL BUILDING SHEET METAL FLASHING (AT MASONRY).
- 4 PRE-ENGINEERED METAL BUILDING SHEET METAL FLASHING (AT EIFS PORTAL).
- 5 PRE-ENGINEERED METAL BUILDING SHEET METAL GUTTER AND DOWNSPOUT SYSTEM.
- 6 ROWLOCK CLAY MASONRY UNIT EXTERIOR WALL CONSTRUCTION (FIELD COLOR). REFER TO PLANS, SECTIONS, AND DETAILS FOR ADDITIONAL REQUIREMENTS.
- 7 LINE OF ROOF BEYOND WITH 1/4":12" SLOPE MINIMUM.
- 8 SURFACE MOUNTED SIGN OWNER FURNISHED AND INSTALLED. PROVIDE BACKING FOR MOUNTING AND ROUGH-IN ELECTRICAL. COORDINATE REQUIREMENTS WITH OWNER. REFER TO SHEET 602.1.
- 9 BUILDING ADDRESS NUMBERS IN 6" HIGH HELVETICA WHITE VINYL ADHERED TO EXTERIOR FACE OF GLAZING.
- 10 (NOT USED).
- 11 EXTERIOR DOOR AND FRAME SYSTEM. REFER TO FLOOR PLAN AND DOOR SCHEDULE FOR TYPES.
- 12 EXTERIOR WINDOW SYSTEM. REFER TO FLOOR PLAN AND WINDOW SCHEDULE FOR TYPES.
- 13 APPROXIMATE LINE OF FOUNDATION. REFER TO STRUCTURAL DRAWINGS.
- 14 STEEL BOLLARDS. REFER TO CIVIL AND STRUCTURAL DRAWINGS.
- 15 HOSE BIB. REFER TO PLUMBING DRAWINGS.
- 16 LIGHT FIXTURE. REFER TO ELECTRICAL DRAWINGS.
- 17 (NOT USED).
- 18 MECHANICAL ROOF TOP UNIT. REFER TO MECHANICAL DRAWINGS.
- 19 MECHANICAL WALL PENETRATIONS. REFER TO MECHANICAL DRAWINGS. PROVIDE FRAMING, FLASHING, AND SEALANT AS REQUIRED. INSTALL RESTROOM EXHAUST FANS 12" MINIMUM ABOVE INTERIOR CEILING FRAMING.
- 20 PLUMBING ROOF VENT. REFER TO PLUMBING DRAWINGS AND DETAIL 11/A4.2.
- 21 DOWNSPOUT COLLECTION SYSTEM. REFER TO DETAIL 6/A6.1 AND CIVIL DRAWINGS FOR CONTINUATION.
- 22 MASONRY CONTROL JOINT. PROVIDE SEALANT OVER 1/2" DIAMETER FOAM BACKER ROD. COLOR TO MATCH ADJACENT MASONRY.
- 23 RUSTICATION JOINT. REFER TO DETAIL 6/A3.2.



PROJECT:
NEW O'REILLY AUTO PARTS STORE
6472 GA-42
REX, GEORGIA
EXTERIOR ELEVATIONS

Buddy Webb, NCARB, AIA
Architect - Consultant
 3057 EAST CAIRO
 SPRINGFIELD, MISSOURI 65802
 (417) 877-1385 TELEPHONE
 (417) 877-8736 FAX

DRAWN BY:	CHECKED BY:
AS	LG
DATE:	
01/08/20	
REVISION:	
PROJECT NUMBER:	
REX	
SHEET NUMBER:	

A2.1

COPYRIGHT 2020 1 DESIGNS, DRAWINGS AND SPECIFICATIONS ARE INSTRUMENTS OF SERVICE AND ARE THE PROPERTY OF THE DESIGN PROFESSIONAL. REPRODUCTION PROHIBITED WITHOUT THE EXPRESSED WRITTEN CONSENT OF THE DESIGN PROFESSIONAL.