



SHEETS BEARING THIS SEAL ARE AUTHENTICATED. RESPONSIBILITY FOR ALL OTHER PLANS, SPECIFICATIONS OR INSTRUMENTS ARE DISCLAIMED.

O'Reilly AUTO PARTS
CORPORATE OFFICES
233 SOUTH PATTERSON
SPRINGFIELD, MISSOURI 65802
(417) 862-2674 TELEPHONE

PROJECT:
NEW O'REILLY AUTO PARTS STORE
6472 GA-42
REX, GEORGIA

FRAMING DETAILS

JS Smith Consulting Engineers
1801 W. 32nd St. Ste. 104
Jeffrey S. Smith P.E. (22498)
John A. Smith P.E. (22498)
1801 W. 32nd St. Ste. 104
Jeffrey S. Smith P.E. (22498)
John A. Smith P.E. (22498)
PHONE: 417-824-0444 FAX: 417-824-0450



DRAWN BY: BTJ CHECKED BY: JS

DATE: 1/8/20

REVISION:

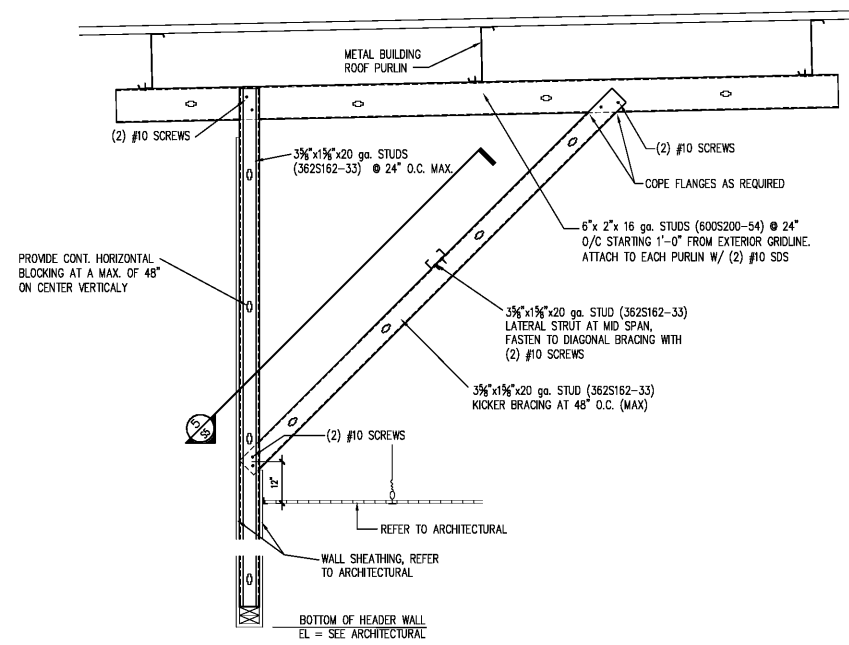
PROJECT NUMBER:

REX

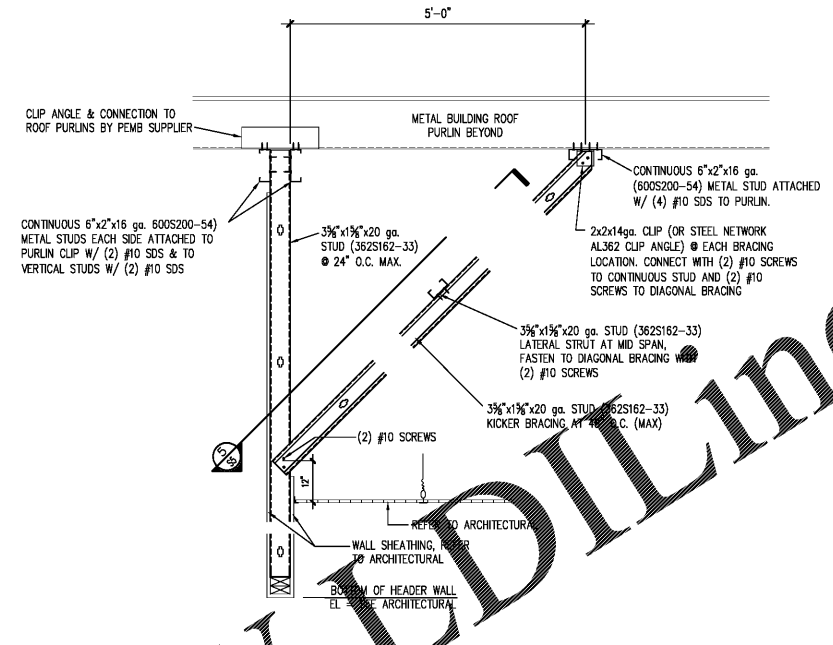
SHEET NUMBER

S5

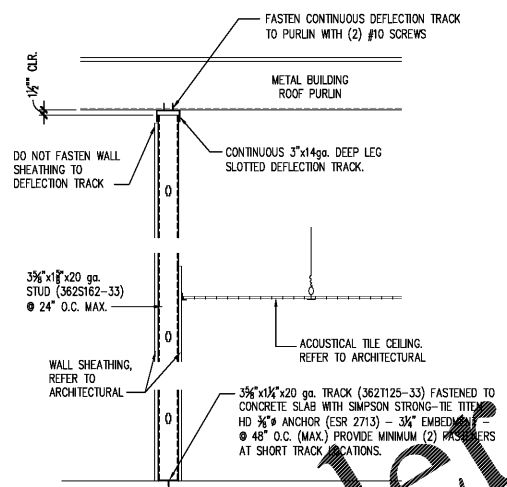
© COPYRIGHT 2020 - I. DESIGNS. DRAWINGS AND SPECIFICATIONS ARE INSTRUMENTS OF SERVICE AND ARE THE PROPERTY OF THE DESIGN PROFESSIONAL. REPRODUCTION PROHIBITED WITHOUT THE EXPRESSED WRITTEN CONSENT OF THE DESIGN PROFESSIONAL.



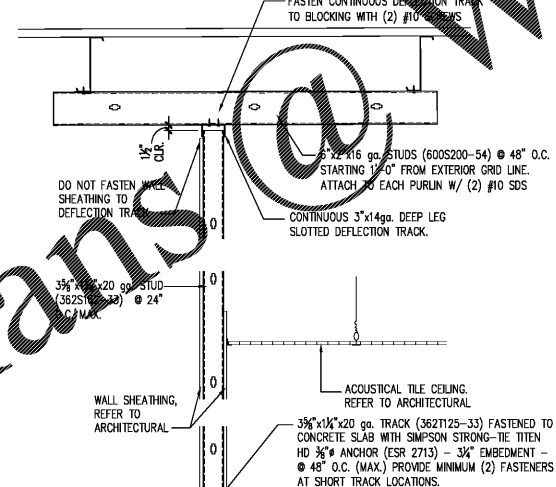
1 SECTION
S5 SCALE: 3/4" = 1'-0"



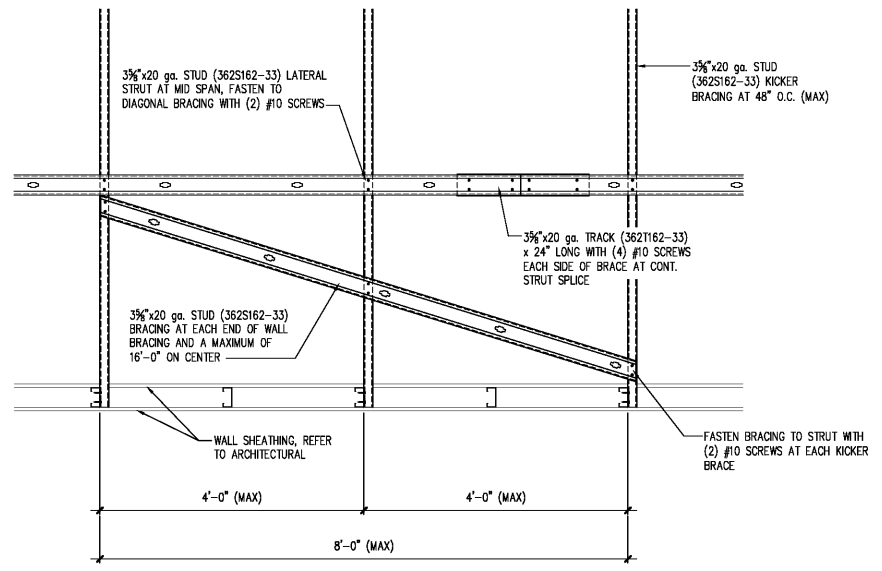
2 SECTION
S5 SCALE: 3/4" = 1'-0"



3 SECTION
S5 SCALE: 3/4" = 1'-0"



4 SECTION
S5 SCALE: 3/4" = 1'-0"



5 SECTION
S5 SCALE: 3/4" = 1'-0"

Order Plans @ www.ediline.com