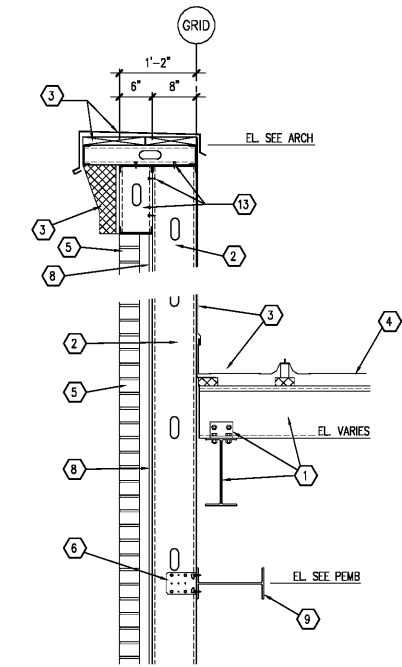
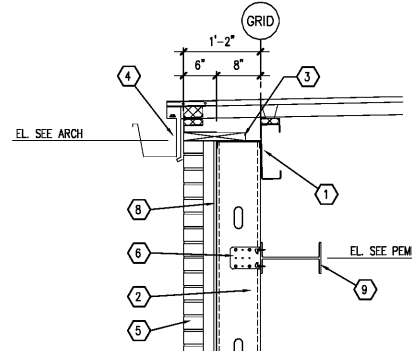


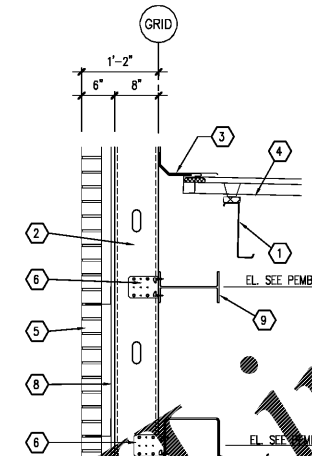
**ROOF KEY PLAN**  
SCALE: NONE



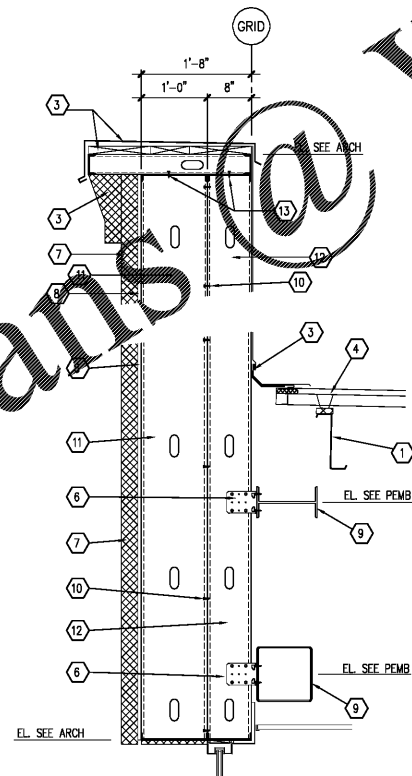
**1 SECTION**  
S4 SCALE: 3/4" = 1'-0"



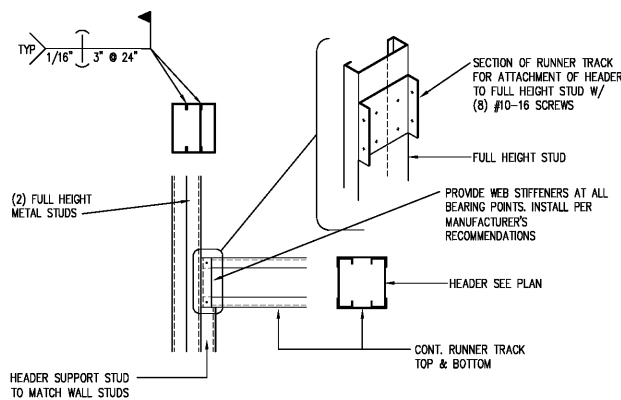
**2 SECTION**  
S4 SCALE: 3/4" = 1'-0"



**3 SECTION**  
S4 SCALE: 3/4" = 1'-0"



**4 SECTION**  
S4 SCALE: 3/4" = 1'-0"



**5 SECTION**  
S4 SCALE: NONE

**KEYNOTES**

- 1 PRE-ENGINEERED METAL BUILDING STRUCTURAL SYSTEM. SEE P.E.M.B. SHOP DRAWINGS FOR ALL MEMBERS AND CONNECTIONS
- 2 8"x18 ga. METAL STUDS (800S162-43) @ 24" O.C. SEE STRUCTURAL NOTES FOR BLOCKING/BRIDGING REQUIREMENTS AND ADDITIONAL INFORMATION.
- 3 REFER TO ARCHITECTURAL DRAWINGS FOR FLASHING, CORNICE AND PARAPET CAP.
- 4 PRE-ENGINEERED METAL BUILDING ROOFING SYSTEM. SEE P.E.M.B. SHOP DRAWINGS FOR ADDITIONAL INFORMATION.
- 5 MASONRY OR BRICK VENEER. SEE ARCHITECTURAL ELEVATIONS FOR ADDITIONAL INFORMATION.
- 6 16 ga SIMPSON FCB 43.5 CONNECTOR W/ (4) #12-14 SCREWS TO STUDS AND (2) #12-24 TO MIN. 3/16" THICK STEEL.
- 7 REFER TO ARCHITECTURAL FOR WALL FINISHES.
- 8 REFER TO ARCHITECTURAL DRAWINGS FOR EXTERIOR WALL SHEATHING. WALL SHEATHING SHALL BE ATTACHED TO EACH STUD AS PER SHEATHING MANUFACTURER'S REQUIREMENTS FOR WIND PRESSURE INDICATED ON SHEET S1. MINIMUM ATTACHMENT SPACING SHALL BE #8 CORROSION-RESISTANT (1" LONG) SCREWS @ 8" O.C. AT PERIMETER OF SHEETS AND AT 8" O.C. IN THE INTERIOR FIELD.
- 9 PRE-ENGINEERED METAL BUILDING W/ WALL BEAM. SEE P.E.M.B. SHOP DRAWINGS FOR LOCATIONS.
- 10 CONNECT STUDS TOGETHER WITH #12 SCREWS @ 24" O.C.
- 11 12"x16 ga. METAL STUDS (1200S162-54) @ 24" O.C.
- 12 8"x16 ga. METAL STUDS (800S162-54) @ 24" O.C. SEE STRUCTURAL NOTES FOR BLOCKING/BRIDGING REQUIREMENTS AND ADDITIONAL INFORMATION.
- 13 CORNICE/OUTLOOKER FRAMING PER ARCHITECTURAL. PROVIDE MIN (2) #10 SDS ATTACHMENT FOR EACH MEMBER.



SHEETS BEARING THIS SEAL ARE AUTHENTICATED. RESPONSIBILITY FOR ALL OTHER PLANS, SPECIFICATIONS OR INSTRUMENTS ARE DISCLAIMED.

**O'Reilly AUTO PARTS**  
CORPORATE OFFICES  
233 SOUTH PATTERSON  
SPRINGFIELD, MISSOURI 65802  
(417) 862-2674 TELEPHONE

**PROJECT:**  
NEW O'REILLY AUTO PARTS STORE  
6472 GA-42  
REX, GEORGIA  
**FRAMING DETAILS**

JS Smith Consulting Engineers  
1801 W. 32nd St., Suite 100, Springfield, MO 65802  
Jeffrey S. Smith P.E. (24)2898  
1801 W. 32nd St., Suite 100, Springfield, MO 65802  
PHONE: 417-824-0444 FAX: 417-824-6450



DRAWN BY: BTJ  
CHECKED BY: JS  
DATE: 1/8/20  
REVISION:

PROJECT NUMBER:  
**REX**  
SHEET NUMBER:

**S4**

Order Plans @ [www.LDOnline.com](http://www.LDOnline.com)

WWW.LDOnline.com

COPYRIGHT 2020 - DESIGNS, DRAWINGS AND SPECIFICATIONS ARE INSTRUMENTS OF SERVICE AND ARE THE PROPERTY OF THE DESIGN PROFESSIONAL. REPRODUCTION PROHIBITED WITHOUT THE EXPRESSED WRITTEN CONSENT OF THE DESIGN PROFESSIONAL.