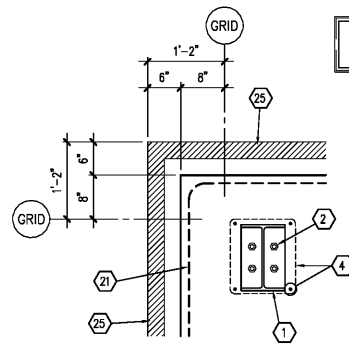


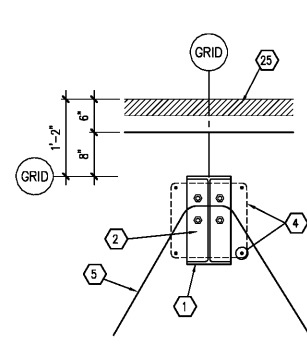
1 ANCHOR ASSEMBLY
S3.2 SCALE: NONE

NOTE: ANCHOR BOLT ASSEMBLY TO BE PLACED IN FORM PRIOR TO POURING CONCRETE. BOLT MATERIAL MAY BE F1554 GR. 36, OR CONTINUOUSLY THREADED A36 ROD. ALL ANCHOR BOLTS SHALL BE CLEAN AND FREE OF ALL OIL, GREASE, ICE, ETC.

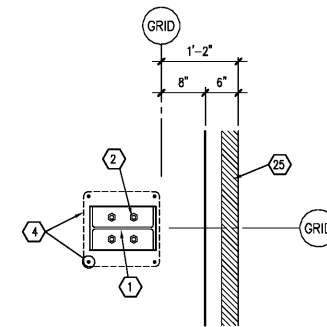


2 DETAIL
S3.2 SCALE: 3/4" = 1'-0"

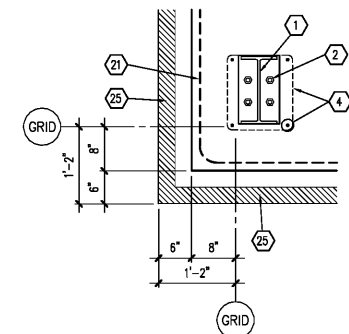
REFER TO PEMB DRAWINGS FOR COLUMN ORIENTATION AT CORNER LOCATIONS.



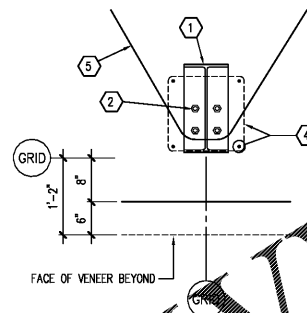
3 DETAIL
S3.2 SCALE: 3/4" = 1'-0"



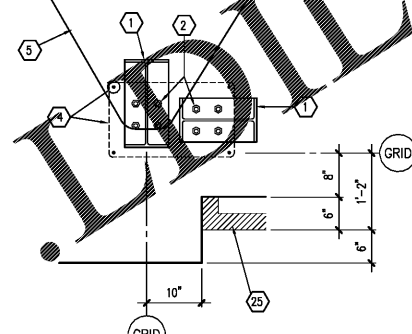
4 DETAIL
S3.2 SCALE: 3/4" = 1'-0"



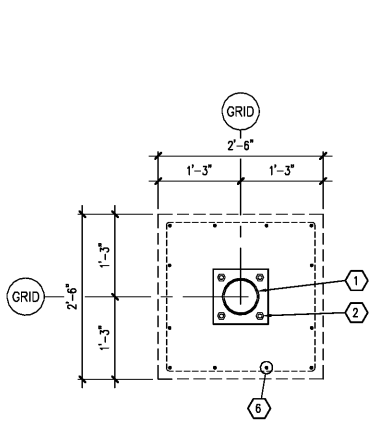
5 DETAIL
S3.2 SCALE: 3/4" = 1'-0"



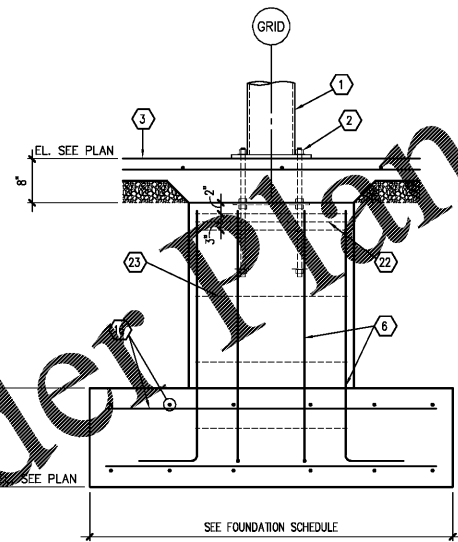
6 DETAIL
S3.2 SCALE: 3/4" = 1'-0"



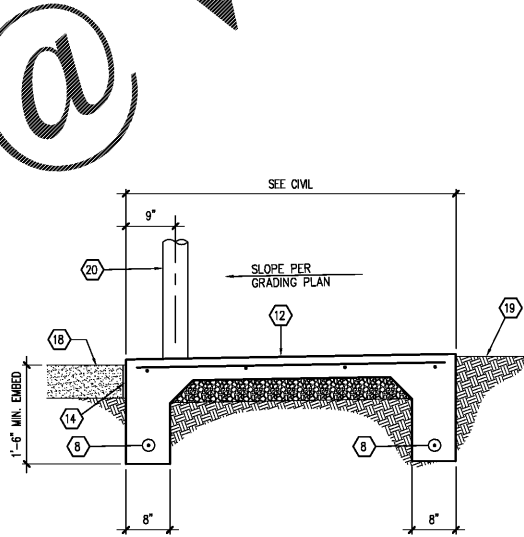
7 DETAIL
S3.2 SCALE: 3/4" = 1'-0"



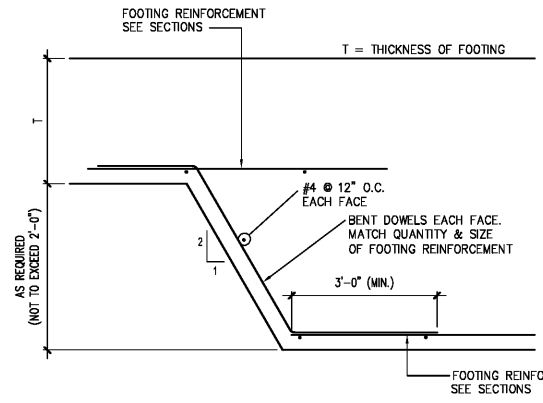
8 DETAIL
S3.2 SCALE: 3/4" = 1'-0"



9 SECTION
S3.2 SCALE: 3/4" = 1'-0"



10 SECTION
S3.2 SCALE: 3/4" = 1'-0"



11 TYPICAL STEPPED FOOTING
S3.2 SCALE: NONE (IF REQUIRED BY FIELD CONDITIONS)

KEYNOTES

- 1 PRE-ENGINEERED METAL BUILDING STRUCTURAL SYSTEM. SEE P.E.M.B. SHOP DRAWINGS FOR ADDITIONAL INFORMATION.
- 2 ANCHOR BOLTS. SEE FOUNDATION SCHEDULE AND PRE-ENGINEERED METAL BUILDING DRAWINGS FOR SIZE, QUANTITY AND PLAN LOCATION. SEE 1/S3.2 FOR TYPICAL SHOP FABRICATED ANCHOR ASSEMBLY.
- 3 INTERIOR CONCRETE SLAB SEE FOUNDATION PLAN.
- 4 SEE DETAIL 11/S3.1 FOR VERTICAL ANCHOR BOLT CONFINEMENT REINFORCEMENT
- 5 SLAB HAIRPIN - SEE DETAIL 8/S3.1
- 6 SEE FOUNDATION SCHEDULE FOR PILASTER REINFORCEMENT.
- 7 #3x5'-0" DOWEL @ 36" O.C. FIELD BEND AS SHOWN 24"
- 8 #4 CONTINUOUS
- 9 #3 DOWELS @ 48" O.C.
- 10 #3 STIRRUPS @ 48" O.C.
- 11 (3) #4's CONTINUOUS TOP & BOTTOM.
- 12 EXTERIOR CONCRETE SLAB OR SIDEWALK SEE FOUNDATION PLAN.
- 13 #4x1'-6" DOWELS @ 24" O.C. DRILL AND ADHERE INTO FOUNDATION WITH APPROPRIATE ADHESIVE SYSTEM. SEE SHEET S1 FOR ADHESIVE ANCHOR INSTALLATION
- 14 1/2" ISOLATION JOINT WITH ASPHALTIC FILLER & SEALANT
- 15 CONTINUOUS REINFORCEMENT TO RUN THROUGH COLUMN FOUNDATIONS. SEE SECTION 1/S3.1 FOR REINFORCEMENT INFORMATION.
- 16 COLUMN FOOTING REINFORCEMENT SEE FOUNDATION SCHEDULE.
- 17 CONTINUOUS FOOTING BEYOND
- 18 PAVING, SEE SITE DEVELOPMENT DRAWINGS FOR ADDITIONAL INFORMATION.
- 19 SEE GRADING PLAN FOR FINISHED GRADES.
- 20 STEEL BOLLARD SEE SITE PLAN.
- 21 #4x5'-0" DOWEL CENTERED IN SLAB 30"
- 22 (3) #3 TIES @ 12" O.C.
- 23 #3 TIES @ 12" O.C.
- 24 #8 METAL STUD SEE S4 FOR STUD GAUGE AND SPACING - PROVIDE 1/2" ANCHOR BOLTS @ 48" O.C. (7" EMBEDMENT & 2" HOOK).
- 25 MASONRY OR BRICK VENEER, SEE ARCHITECTURAL ELEVATIONS FOR ADDITIONAL INFORMATION.
- 26 REFER TO ARCHITECTURAL DRAWINGS FOR EXTERIOR WALL SHEATHING, FLASHING, AND GROUT SPACE BEHIND BRICK VENEER. FOR SHEATHING ATTACHMENT SEE SHEET S4.
- 27 4" (NDM) CMU STARTER BLOCK
- 28 ADDITIONAL METAL STUD SEE S4 FOR SIZE, STUD GAUGE, AND SPACING - PROVIDE 1/2" ANCHOR BOLTS @ 48" O.C. (7" EMBEDMENT & 2" HOOK).



SHEETS BEARING THIS SEAL ARE AUTHENTICATED. RESPONSIBILITY FOR ALL OTHER PLANS, SPECIFICATIONS OR INSTRUMENTS ARE DISCLAIMED.

O'Reilly AUTO PARTS
CORPORATE OFFICES
233 SOUTH PATTERSON
SPRINGFIELD, MISSOURI 65802
(417) 882-2674 TELEPHONE

PROJECT:
NEW O'REILLY AUTO PARTS STORE
6472 GA-42
REX, GEORGIA
FOUNDATION DETAILS

JS Smith Consulting Engineers
1801 W. 32nd St. Bldg 103 - 3rd Fl. - Jackson, Missouri 64804
PHONE: 417-624-0444 FAX: 417-624-6530



DRAWN BY: BTJ CHECKED BY: JS
DATE: 1/8/20
REVISION:

PROJECT NUMBER:
REX

SHEET NUMBER
S3.2

COPYRIGHT 2020 - DESIGNS, DRAWINGS AND SPECIFICATIONS ARE INSTRUMENTS OF SERVICE AND ARE THE PROPERTY OF THE DESIGN PROFESSIONAL. REPRODUCTION PROHIBITED WITHOUT THE EXPRESSED WRITTEN CONSENT OF THE DESIGN PROFESSIONAL.