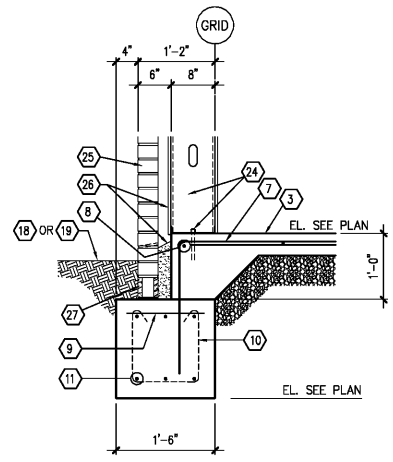
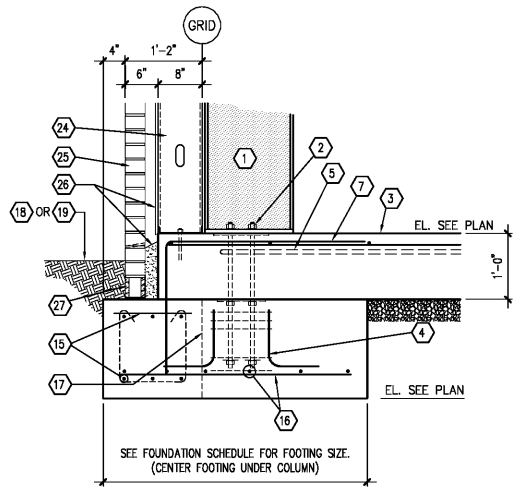


KEYNOTES

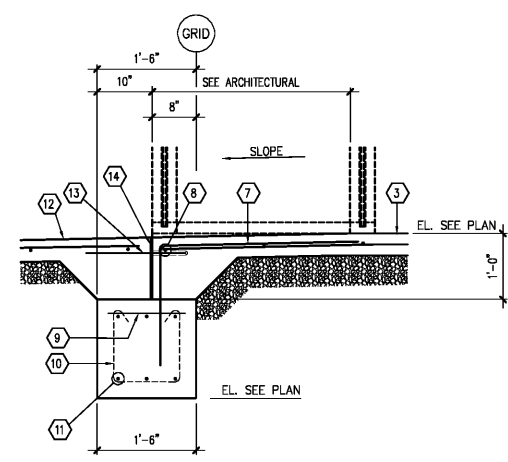
- 1 PRE-ENGINEERED METAL BUILDING STRUCTURAL SYSTEM. SEE P.E.M.B. SHOP DRAWINGS FOR ADDITIONAL INFORMATION.
- 2 ANCHOR BOLTS. SEE FOUNDATION SCHEDULE AND PRE-ENGINEERED METAL BUILDING DRAWINGS FOR SIZE, QUANTITY AND PLAN LOCATION. SEE 1/S3.2 FOR TYPICAL SHOP FABRICATED ANCHOR ASSEMBLY.
- 3 INTERIOR CONCRETE SLAB SEE FOUNDATION PLAN.
- 4 SEE DETAIL 11/S3.1 FOR VERTICAL ANCHOR BOLT CONFINEMENT REINFORCEMENT
- 5 SLAB HAIRPIN - SEE DETAIL 8/S3.1
- 6 SEE FOUNDATION SCHEDULE FOR PILASTER REINFORCEMENT.
- 7 #3x5'-0" DOWEL @ 36" O.C. FIELD BEND AS SHOWN 24"
- 8 #4 CONTINUOUS
- 9 #3 DOWELS @ 48" O.C.
- 10 #3 STIRRUPS @ 48" O.C.
- 11 (3) #4'S CONTINUOUS TOP & BOTTOM
- 12 EXTERIOR CONCRETE SLAB OR SIDE WALK SEE FOUNDATION PLAN.
- 13 #4x1'-6" DOWELS @ 24" DRILL AND ADHERE INTO FOUNDATION WITH APPROPRIATE ADHESIVE SYSTEM. SEE SHEET S1 FOR ADHESIVE ANCHOR INSTALLATION
- 14 1/2" ISOLATION JOINT WITH ASPHALTIC FILLER & SEALANT
- 15 CONTINUOUS FOOTING REINFORCEMENT TO RUN THROUGH COLUMN FOUNDATIONS. SEE SECTION 1/S3.1 FOR REINFORCEMENT INFORMATION.
- 16 COLUMN FIRING REINFORCEMENT SEE FOUNDATION SCHEDULE.
- 17 CONTINUOUS FOOTING BEYOND
- 18 PAVING, SEE SITE DEVELOPMENT DRAWINGS FOR ADDITIONAL INFORMATION.
- 19 SEE GRADING PLAN FOR FINISHED GRADES.
- 20 STEEL BOLLARD SEE SITE PLAN.
- 21 #4x5'-0" DOWEL CENTERED IN SLAB 30"
- 22 (3) #3 TIES @ 12" O.C.
- 23 #3 TIES @ 12" O.C.
- 24 8" METAL STUD SEE S4 FOR STUD GAUGE AND SPACING - PROVIDE 1/2" ANCHOR BOLTS @ 48" O.C. (7" EMBEDMENT & 2" HOOK).
- 25 MASONRY OR BRICK VENEER, SEE ARCHITECTURAL ELEVATIONS FOR ADDITIONAL INFORMATION.
- 26 REFER TO ARCHITECTURAL DRAWINGS FOR EXTERIOR WALL SHEATHING, FLASHING, AND GROUT SPACE BEHIND BRICK VENEER. FOR SHEATHING ATTACHMENT SEE SHEET S4.
- 27 4" (NOM) CMU STARTER BLOCK
- 28 ADDITIONAL METAL STUD SEE S4 FOR SIZE, STUD GAUGE, AND SPACING - PROVIDE 1/2" ANCHOR BOLTS @ 48" O.C. (7" EMBEDMENT & 2" HOOK).



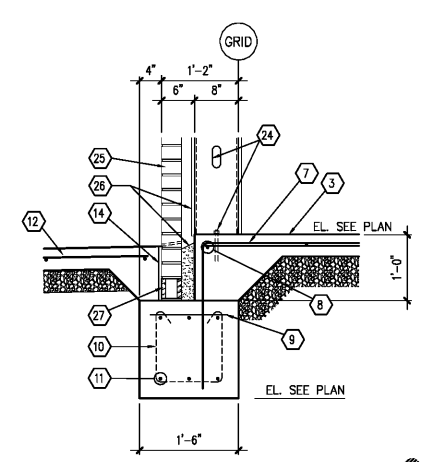
1 SECTION
S3.1 SCALE: 3/4" = 1'-0"



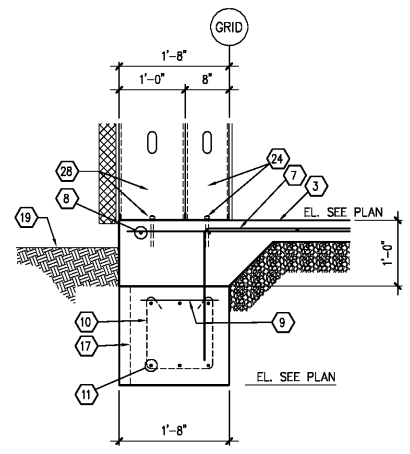
2 SECTION
S3.1 SCALE: 3/4" = 1'-0"



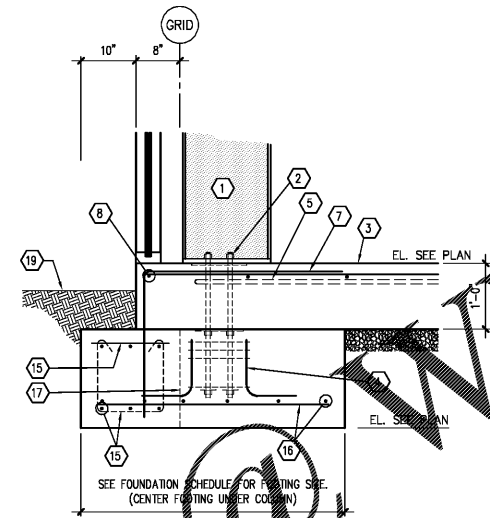
3 SECTION
S3.1 SCALE: 3/4" = 1'-0"



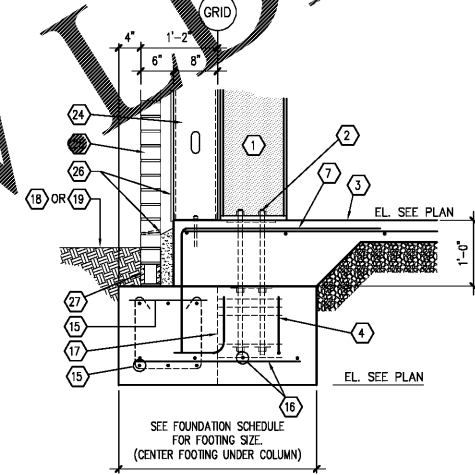
4 SECTION
S3.1 SCALE: 3/4" = 1'-0"



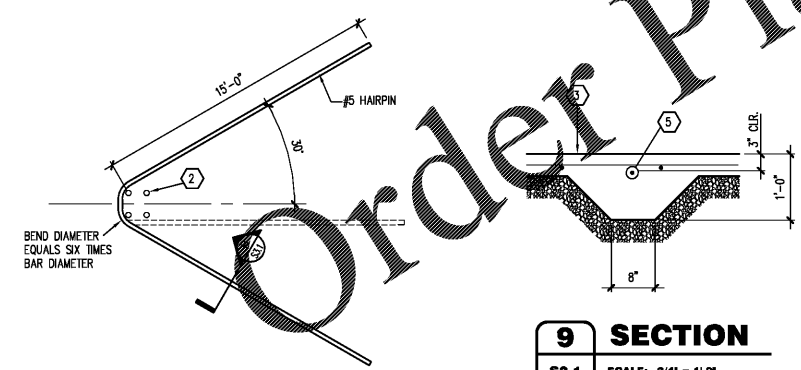
5 SECTION
S3.1 SCALE: 3/4" = 1'-0"



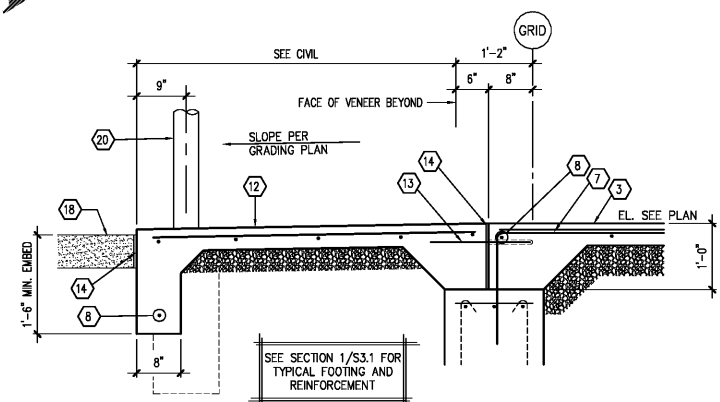
6 SECTION
S3.1 SCALE: 3/4" = 1'-0"



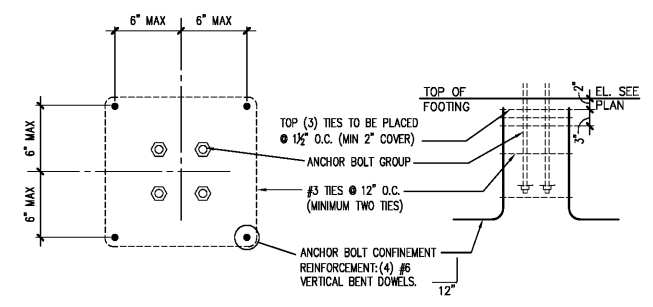
7 SECTION
S3.1 SCALE: 3/4" = 1'-0"



8 TYPICAL HAIRPIN DETAIL
S3.1 SCALE: NONE



10 SECTION
S3.1 SCALE: 3/4" = 1'-0"



11 SECTION
S3.1 SCALE: VARIES



SHEETS BEARING THIS SEAL ARE AUTHENTICATED. RESPONSIBILITY FOR ALL OTHER PLANS, SPECIFICATIONS OR INSTRUMENTS ARE DISCLAIMED.

O'Reilly AUTO PARTS
CORPORATE OFFICES
233 SOUTH PATTERSON
SPRINGFIELD, MISSOURI 65802
(417) 862-2674 TELEPHONE

PROJECT:
NEW O'REILLY AUTO PARTS STORE
6472 GA-42
REX, GEORGIA
FOUNDATION DETAILS

JS Smith Consulting Engineers
Jeffrey S. Smith, P.E.
1801 W. 37th St. Spring Hill, Missouri 64084
PHONE: 417-824-0444 FAX: 417-824-6530



DRAWN BY: BTJ CHECKED BY: JS
DATE: 1/8/20
REVISION:
PROJECT NUMBER: REX
SHEET NUMBER:

S3.1

COPYRIGHT 2020 - DESIGNS, DRAWINGS AND SPECIFICATIONS ARE INSTRUMENTS OF SERVICE AND ARE THE PROPERTY OF THE DESIGN PROFESSIONAL. REPRODUCTION PROHIBITED WITHOUT THE EXPRESSED WRITTEN CONSENT OF THE DESIGN PROFESSIONAL.