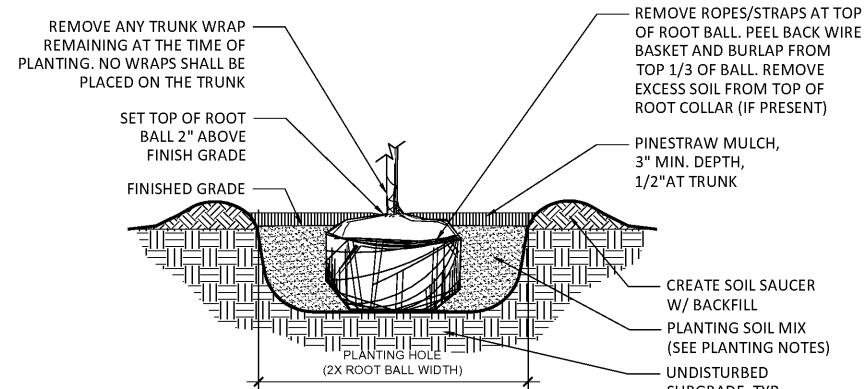
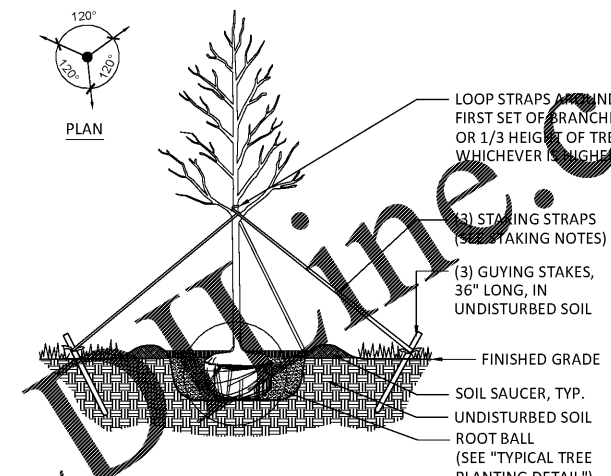


1 TREE PROTECTION FENCE DETAIL  
N.T.S.

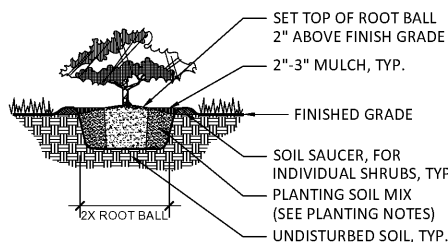


2 TYPICAL TREE PLANTING DETAIL  
N.T.S.

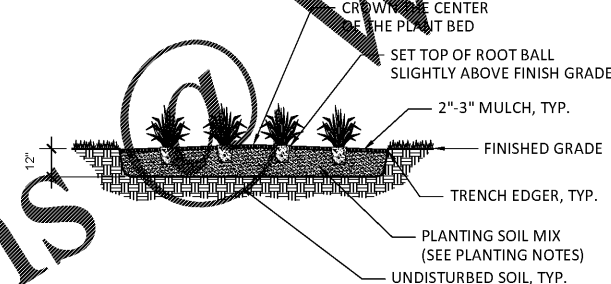


3 DECIDUOUS TREE STAKING DETAIL  
N.T.S.

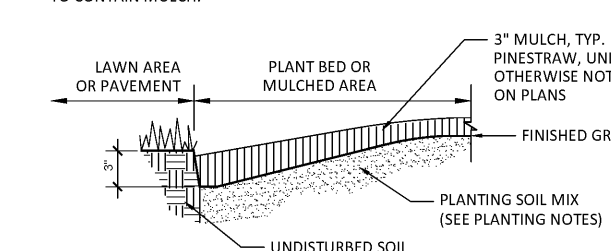
NOTE: WHEN SHRUBS ARE PLANTED IN GROUPS, ENTIRE BED SHALL BE EXCAVATED TO 12" DEPTH AND BACKFILLED WITH PLANTING SOIL MIX



NOTE: REFER TO PLANT SCHEDULE AND/OR LANDSCAPE PLAN FOR PLANT SPACING.



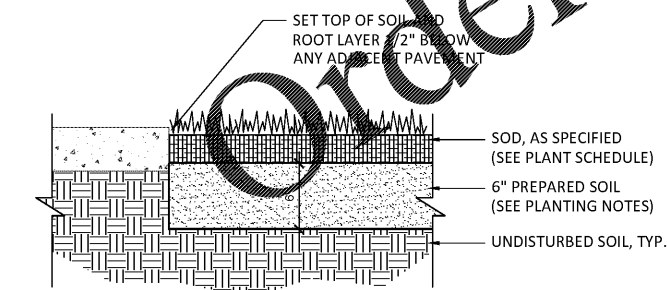
NOTE: USE TRENCH EDGER AT ALL EDGES OF BEDLINES TO CONTAIN MULCH.



4 SHRUB PLANTING DETAIL  
N.T.S.

5 GROUNDCOVER PLANTING DETAIL  
N.T.S.

6 TRENCH EDGER DETAIL  
N.T.S.



7 SOD DETAIL  
N.T.S.

MASS ENGINEERING AND CONSULTANTS, LLC.  
3438 ACWORTH DUE WEST RD., SUITE 505  
ACWORTH, GEORGIA 30101  
PHONE: 404.850.7780  
WWW.MASS-ENG.COM  
Copyright © 2019

MASS ENGINEERING AND CONSULTANTS, LLC

REVISIONS	
DATE	DESCRIPTION

TREE PLAN DETAILS  
PROJECT NUMBER: 19-0103  
DATE: OCTOBER 24, 2019



12/17/2019

RELEASED FOR CONSTRUCTION

L-03