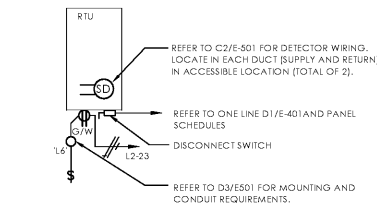


NOTES:
1. REFER TO DETAIL C3/E-501 AND C2/E-501 FOR WIRING.

D3 RTU Service Light Mounting Detail
SCALE: N.T.S.

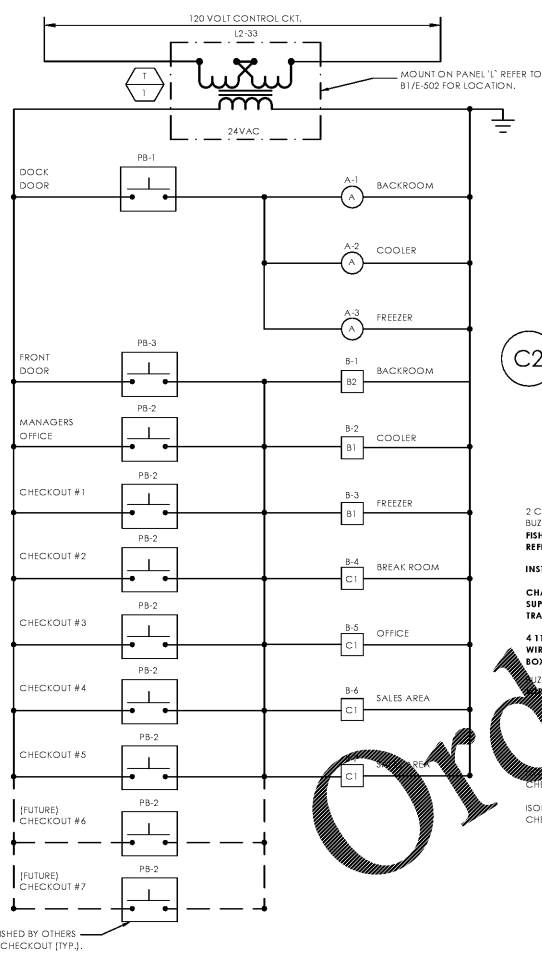


NOTES:
1. COORDINATE LOCATION OF DISCONNECT WITH MECHANICAL CONTRACTOR. ROUTE CONDUIT THRU ROOF. SEAL ROOF PENETRATION WATER TIGHT USING METHOD APPROVED BY ROOFING MANUFACTURER. DO NOT PENETRATE DRAIN PAN WITH CONDUITS.
2. REFER TO SHEET E-201 FOR LOCATION.

C3 RTU-1 & RTU-2 Detail
SCALE: N.T.S.

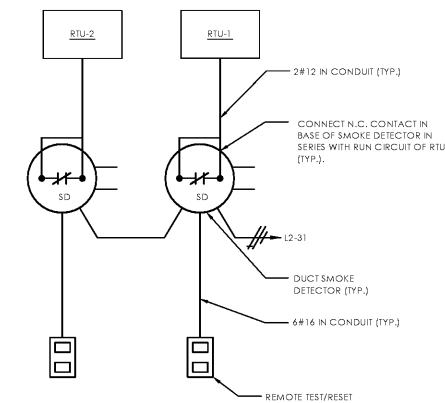
LIGHTING PLAN KEYNOTES:

- (L1) ROUTE CONDUIT FROM PANEL 'L1' TO EXTERIOR BUILDING SITE LIGHTING AND SIGN POWER BELOW SLAB. MINIMUM 1 1/2" CONDUIT SHALL BE USED AND CONDUIT SHALL HAVE PROPER LISTINGS FOR LOCATION ACCORDING TO ALL LOCAL CODES AND CURRENT EDITION OF N.E.C. REFER TO KEYNOTES L2 AND L3.
- (L2) MINIMUM 1-1/2" SCHEDULE 40 PVC CONDUIT. INSTALL MINIMUM OF 24" BELOW GRADE TO MONUMENT/PYLON SIGN. REFER TO DETAIL FOR CONDUIT TERMINATION AT SIGN. FIELD VERIFY ENTRANCE LOCATION INTO BUILDING TO KEEP RUN AS SHORT AS POSSIBLE.
- (L3) MINIMUM 1-1/2" SCHEDULE 40 PVC CONDUIT. INSTALL MINIMUM OF 24" BELOW GRADE TO NEW PARKING LOT LUMINARIES. REFER TO SITE ELECTRICAL PLAN FOR LOCATION. FIELD VERIFY ENTRANCE LOCATION INTO BUILDING TO KEEP RUN AS SHORT AS POSSIBLE.
- (L4) VERIFY LOCATION OF CONNECTION TO DOOR LIGHTS WITH REFRIGERATION CONTRACTOR.
- (L5) VERIFY LOCATION OF JUNCTION BOX WITH REFRIGERATION CONTRACTOR. CONDUIT AND WIRING CONNECTIONS AND INSTALLATION OF LUMINARIES INSIDE COOLER AND FREEZER BY REFRIGERATION CONTRACTOR. REFER TO KEYNOTE L6
- (L6) FIXTURES SHOWN IN WALK-IN COOLER AND FREEZER SHALL BE FURNISHED BY ELECTRICAL CONTRACTOR AND TURNED OVER TO REFRIGERATION CONTRACTOR FOR INSTALLATION. OCCUPANCY SENSORS FURNISHED AND INSTALLED BY REFRIGERATION CONTRACTOR.
- (L7) REFER TO INSTALLATION AND WIRING GUIDE PROVIDED BY NORDEON LIGHTING FOR SALES AREA TRUNKING. EACH TRUNK FOR THE MAIN STORE AISLES IS SERVED BY THREE (3) CIRCUITS ORIGINATING FROM THE SAME BRANCH CIRCUIT.
-CONTROL CIRCUIT #1 IS FROM "STOCKING" CONTACTORS OPERATING FIXTURES THAT HAVE LETTER DESIGNATION 'a'
-CONTROL CIRCUIT #2 IS FROM "SALES" CONTACTORS OPERATING FIXTURES THAT HAVE LETTER DESIGNATION 'b'
-CIRCUIT #3 IS UN-SWITCHED AND REFERENCE VOLTAGE FOR EMERGENCY FIXTURES AND CONNECTED SUCH THAT IN THE EVENT OF A LOSS OF NORMAL POWER THE EMERGENCY FIXTURE ILLUMINATES. NIGHT LIGHTING FIXTURES (NLT) FACTORY WIRED FOR 24/7 ILLUMINATION.
- (L8) INSTALL LUMINARIES, CONDUIT AND WIRING TO CLEAR OVERHEAD DOOR IN THE OPEN POSITION.
- (L9) RECEPTACLE FOR DOCK LIGHT SHALL BE SWITCHED WITH BACKROOM LIGHTS. PROVIDE WOOD BLOCKING BETWEEN STUDS TO SECURELY MOUNT FIXTURE.
- (L10) EXTEND CIRCUIT TO EXHAUST FAN EF-1. REFER TO E-301 FOR CONTINUATION.
- (L11) CPC SYSTEM REFER TO DETAIL D1/E-102 FOR LIGHTING CONTROL DIAGRAM.
- (L12) PROVIDE EXTERIOR EMERGENCY FIXTURE NEAR DOOR FOR EXIT DISCHARGE LIGHTING. REFER TO ARCHITECTURAL ELEVATIONS FOR LOCATIONS.
- (L13) PROVIDE DUPLEX RECEPTACLES FOR LED BACKLIT GRAPHIC FRAMES. COORDINATE RECEPTACLE LOCATIONS WITH SIGN VENDOR, G.C. AND ALDI REP. PRIOR TO ROUGH-IN. RECEPTACLES SHALL BE CONNECTED TO CIRCUITS AS INDICATED. REFER TO LIGHTING CONTROL DIAGRAM D1/E-102.
- (L14) INSTALL 2' LOW-PROFILE LINEAR COVE FIXTURES FACING UP TO LIGHT BACK WALL GRAPHICS ON TOP OF MDU. SECURE FIXTURES TO GC INSTALLED LIGHT GAUGE HAT CHANNEL WITH FURNISHED MOUNTING CLIPS. REFER TO ARCHITECTURAL SECTION DRAWINGS FOR FIXTURE PLACEMENT. VERIFY QUANTITY OF FIXTURES REQUIRED FOR CONTINUOUS ROW WALL TO WALL.
- (L15) PROVIDE CONNECTION OF PRE-FABRICATED HANGING LIGHTED SIGNS TO SALES FLOOR LIGHTING BRANCH CIRCUIT AS INDICATED. COORDINATE LOCATION OF JUNCTION BOX WITH SIGN INSTALLER PRIOR TO ROUGH-IN.
- (L16) PROVIDE RECEPTACLES AS NOTED FOR GONDOLA ACCENT LIGHTING. REFER TO ARCHITECTURAL INTERIOR ELEVATIONS FOR RECEPTACLE LOCATIONS AND COORDINATE WITH G.C. PRIOR TO ROUGH-IN. REFER TO LIGHTING CONTROL DIAGRAM D1/E-102.
- (L17) MOUNT PRODUCE LIGHTING ASSEMBLY AT 12'-0" A.F.F. TO BUILDING STRUCTURE PER MANUFACTURER'S INSTRUCTIONS USING SAMMYS SCREW AND AIRCRAFT CABLE SUPPORT KIT PROVIDED WITH FIXTURES. LIGHTING ASSEMBLY SHALL BE MOUNTED TO AVOID ALL OBSTRUCTIONS. REFER TO REFLECTED CEILING PLAN FOR LOCATIONS.
- (L18) FLUSH MOUNT CREE MODEL #CL-IG-2T EMERGENCY LIGHTING INVERTER IN VESTIBULE CEILING AND CABLE SUPPORT FROM STRUCTURE ABOVE. PROVIDE SWITCHED AND UN-SWITCHED FEED TO INVERTER AND CONNECT OUTPUT TO CANOPY FIXTURES INDICATED FOR EMERGENCY EGRESS ILLUMINATION.
- (L19) INSTALL JUNCTION BOXES AND BRANCH CIRCUIT FOR MESSAGE TOWER LIGHTING. VERIFY LOCATIONS AND REQUIREMENTS WITH GENERAL CONTRACTOR AND SIGN INSTALLER PRIOR TO ROUGH-IN. REFER TO LIGHTING CONTROL DIAGRAM D1/E-102.
- (L20) WALL MOUNT UP-LIGHTING FIXTURES PER MANUFACTURER'S INSTALLATION GUIDE. VERIFY LOCATION AND REQUIREMENTS WITH GENERAL CONTRACTOR AND ARCHITECTURAL SECTION DRAWINGS. JUNCTION BOXES AND BRANCH CIRCUIT SHALL BE CONCEALED IN WALL PRIOR TO DRYWALL INSTALLATION. REFER TO LIGHTING CONTROL DIAGRAM D1/E-102.
- (L21) LOCATE POWER POLE AND CECREW FOR GONDOLA LIGHTING. REFER TO DETAIL D3/E-502 FOR INSTALLATION REQUIREMENTS. CIRCUIT WITH SPOT MERCHANDISER LIGHTING CIRCUIT #1-30.



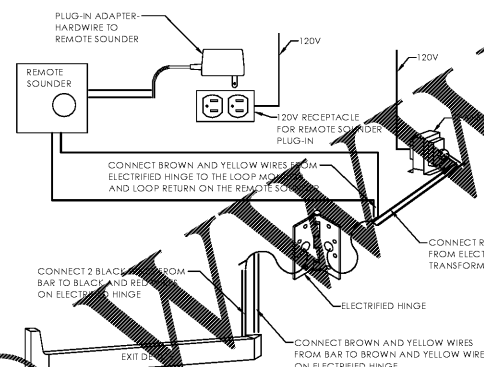
NOTES:
1. ALL LOW VOLTAGE CONDUCTORS SHALL BE MINIMUM 18 GAUGE AND U.L. RATED FOR USE IN AIR HANDLING PLenums. WIRING SHALL BE IN CONDUIT WHERE EXPOSED IN BACK ROOM AND SALES AREA.

D1 Bell and Buzzer Wiring Diagram
SCALE: N.T.S.

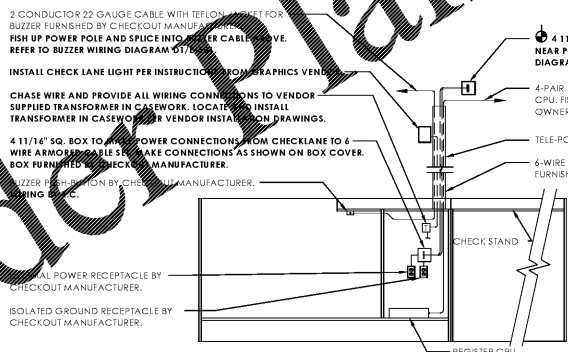


NOTES:
1. REFER TO DETAIL C3/E-501 FOR LOCATION OF SMOKE DETECTORS.
2. REFER TO DETAIL B1/E-502 FOR LOCATION OF REMOTE TEST STATIONS.
3. SMOKE DETECTORS FURNISHED AND INSTALLED BY M.C. ALL WIRING BY E.C..

C2 Duct Smoke Detector Wiring Detail
SCALE:

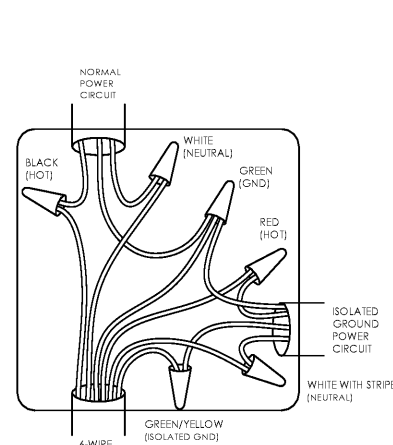


B2 Exit Device/Remote Sounder Detail
SCALE:



NOTES:
1. BOLD PRINT TEXT IN DETAIL INDICATES WORK BY THE ELECTRICAL CONTRACTOR. LIGHT PRINT TEXT IN DETAIL INDICATES WORK BY OTHERS.
2. ALL CONDUITS TO CHECKOUTS SHALL BE RUN AS HIGH AS POSSIBLE. COMBINE POWER CIRCUITS IN COMMON CONDUIT. PROVIDE DEDICATED 2" CONDUIT AND 8"X4" JUNCTION BOX ABOVE ALL CHECKOUTS FOR LOW VOLTAGE WIRING. COORDINATE FINAL CONDUIT ROUTING AND CONCEALMENT WITH ALDI REP FOR APPROVAL PRIOR TO ROUGH-IN.

C1 Checkout Wiring Detail
SCALE: N.T.S.

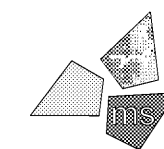


B1 Checkout Wiring Diagram
SCALE: N.T.S.

Issued:	Date:
A Client Review Set	05/07/19
B Permit Set	06/12/19
C Client Review Set	02/07/20
D Bid Set	02/10/20
Revisions:	Date:

DO NOT SCALE PLANS

Copying, Printing, Software and other processes required to produce these prints can stretch or shrink the actual paper or layout. Therefore, scaling of this drawing may be inaccurate. Contact m's consultants with any need for additional dimensions or clarifications.



m's consultants, inc.
engineers, architects, planners
5444 Wade Park Blvd.
Suite 160
Raleigh, NC 27607-4299
phone 919.772.5565
fax 919.779.2308

DRAWN BY: MEM
REVIEWED BY: KFF

Seal

PROFESSIONAL OF RECORD:
JASON E. CHRISTOFF No. 039391
EXP. DATE: 12/31/2020



ALDI Inc. Store #: 154
Cornelius, NC
20101 West Catawba Avenue
Cornelius, NC 28031
Mecklenburg County
Project Name & Location:

Electrical Details Drawing Name:	
Prototype Rls. 12/10/18	Project No. 40452-07
Type: LHSD-V8ER	
	E-501
Scale: As Noted	Drawing No.