

PLOTTED: 2/10/2020 11:06 AM

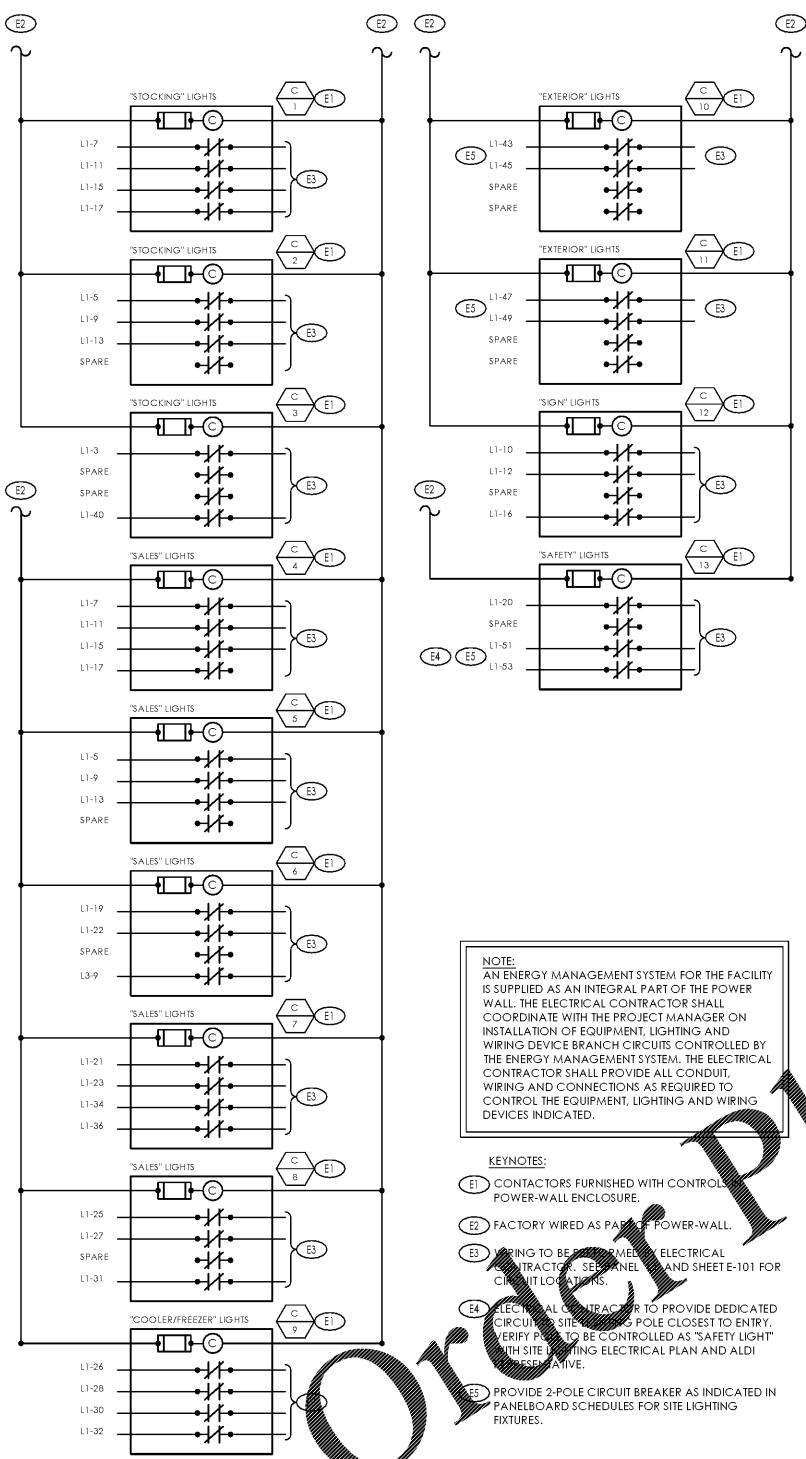
# LIGHTING LUMINAIRE SCHEDULE

<b>MOUNTING (MTG) KEY:</b> RE - RECESSED SP - SUSPENDED CL - CEILING SURFACE WL - WALL UC - UNDERCABINET CV - COVE PL - POLE O - OTHER (SEE REMARKS)  <b>DOOR KEY:</b> FA - FLAT ALUMINUM FS - FLAT STEEL RA - REGRESSED ALUMINUM RS - REGRESSED STEEL	<b>LAMP TYPE KEY:</b> FL - FLUORESCENT CF - COMPACT FLUORESCENT IN - INCANDESCENT LED - LIGHT EMITTING DIODE HS - HIGH PRESSURE SODIUM MH - METAL HALIDE MV - MERCURY VAPOR LV - LOW VOLTAGE O - OTHER (SEE REMARKS)  <b>BALLAST (BSL) KEY:</b> EA - ELECTRONIC BA - EMERGENCY BATTERY OD - OUTDOOR RATED BALLAST EN - ENERGY SAVING	<b>LENS/GLOVE (L/L) KEY:</b> A - 1/2" ACRYLIC B - BLACK MILIGROOVE C - CLEAR ALZAK D - PARABOLIC E - ... F - FRESNEL G - TEMPERED GLASS H - WALL WASHER K - KSH12, 1/2" ACRYLIC K19 - KSH19, 1/2" ACRYLIC L - LOW IRIDESCENT SPECULAR ALUMINUM M - ... N - NONE O - OTHER (SEE REMARKS)
--------------------------------------------------------------------------------------------------------------------------------------------------------------------------------------------------------------------------------------------------------------------------------------------------	-----------------------------------------------------------------------------------------------------------------------------------------------------------------------------------------------------------------------------------------------------------------------------------------------------------------------------------------------------------------------------------	-----------------------------------------------------------------------------------------------------------------------------------------------------------------------------------------------------------------------------------------------------------------------------------------------------------------------------------

**NOTES:**

- CATALOG NUMBERS SHALL NOT BE CONSIDERED COMPLETE AND MATERIAL SHALL NOT BE ORDERED BY MANUFACTURER AND CATALOG NUMBER ONLY. FIRST READ THE COMPLETE DESCRIPTION, NOTES, AND REMARKS AND THE SPECIFICATIONS IN COORDINATION WITH CATALOG NUMBER TO DETERMINE THE EXACT MATERIAL AND ACCESSORIES TO BE ORDERED.
- ALL LAMPS FOR THIS PROJECT SHALL BE FURNISHED BY MANUFACTURER WITH FIXTURES AND INSTALLED BY THE ELECTRICAL CONTRACTOR UNLESS OTHERWISE NOTED.
- FOR NATIONAL ACCOUNTS PRICING CONTACT MIKE KRENER @ CREE LIGHTING MIKE.KRENER@CREE.COM. PHONE: 262-504-5037
- NORDEON LIGHTING SYSTEM SHALL BE OWNER FURNISHED AND CONTRACTOR INSTALLED. CONTRACTOR SHALL HAVE 5 DAYS FROM DATE OF DELIVERY ACCEPTANCE TO VERIFY SHIPMENT FOR ANY DAMAGES, CORRECT QUANTITY OF FIXTURES, AND PLACE CLAIM. AFTER 5 DAYS CONTRACTOR SHALL BE RESPONSIBLE FOR ANY DAMAGES AND ADDITIONAL FIXTURES REQUIRED TO ACHIEVE LAYOUT SHOWN.
- FOR NATIONAL ACCOUNTS PRICING CONTACT LINDSEY WHISLER @ FACILITY SOLUTIONS GROUP CCC1@FSG.COM. PHONE: 214-351-6266
- LUMINAIRES ARE TYPICAL FOR ALDI STORES. FIXTURES SHOWN LIGHT LINE WEIGHT NOT USED ON THIS PROJECT. REFER TO LIGHTING PLAN FOR QUANTITIES OF LUMINAIRES USED. FIXTURES SHALL BE ORDERED BY MODEL NUMBER AND MANUFACTURER NOT BY ID NUMBER. VERIFY SITE LIGHTING FIXTURE TYPES AND LOCATIONS WITH FINAL SITE PLANS.
- FIXTURE AND POLE SPECIFICATION SHALL BE VERIFIED WITH FINAL SITE PLANS AND ENGINEER FOR LOCAL REQUIREMENTS. ALDI REPRESENTATIVE SHALL APPROVE POLE HEIGHTS.

FXT. NO.	DESCRIPTION	FXT. SIZE	MTG.	LAMPS		VOLTS/ BLS TYPE	L/L	MANUFACTURER	REMARKS
				TYPE	QUANTITY & SIZE				
L1	8 SURFACE STRIP LIGHT	2.5'W. x 8'L.	O	LED	88W, 8000L, 35K	120	O	CREE: LS8-80L-35K-10V LS9003-LS9001	SALES FLOOR & BACKROOM. REFER TO STRIP FIXTURE MOUNTING NOTES. REFER TO NOTE #3
L1E	8 SURFACE STRIP LIGHT W/ EMERGENCY BACKUP MINIMUM OF 90 MIN OPERATION	2.5'W. x 8'L.	O	LED	88W, 8000L, 35K	120	O	CREE: LS8-80L-35K-10V-EB14 LS9003-LS9001	FACILITY INSTALLED 1400 LUMEN EMERGENCY POWER PACK. VERIFY (EM) FIXTURE PLACEMENT WITH DRAWING E-101 PRIOR TO INSTALLATION. REFER TO NOTE #3
L2	4 SURFACE STRIP LIGHT	2.5'W. x 4'L.	O	LED	44W, 4000L, 35K	120	O	CREE: LS4-40L-35K-10V	SAME MOUNTING AS TYPE 1) REFER TO NOTE #3
L2E	4 SURFACE STRIP LIGHT W/ EMERGENCY BACKUP MINIMUM OF 90 MIN OPERATION	2.5'W. x 4'L.	O	LED	44W, 4000L, 35K	120	O	CREE: LS4-40L-35K-10V-EB14	FACILITY INSTALLED 1400 LUMEN EMERGENCY POWER PACK. VERIFY (EM) FIXTURE PLACEMENT WITH DRAWING E-101 PRIOR TO INSTALLATION. REFER TO NOTE #3
L3	DO NOT USE								
L4	TROFFER	2'-0" x 4'-0"	RE	LED	44W, 4000L, 35K	120	O	CREE: ZR24-40L-35K-10V	REFER TO NOTE #3
L4E	TROFFER W/ EMERGENCY BACKUP MINIMUM OF 90 MIN OPERATION	2'-0" x 4'-0"	RE	LED	44W, 4000L, 35K	120	O	CREE: ZR24-40L-35K-10V-EB14	FACILITY INSTALLED 1400 LUMEN EMERGENCY POWER PACK. VERIFY (EM) FIXTURE PLACEMENT WITH DRAWING E-101 PRIOR TO INSTALLATION. REFER TO NOTE #3
L5	DO NOT USE								
L6	VAPOR TIGHT FIXTURE	6" NOM.	O	LED	9.5W, 800L, 27K	120	O	CREE: EAMT4A101G/A19-80W-27K	ENCLOSED AND GASKETED. GLASS GLOBE. METAL GUARD. WALL MOUNTED. REFER TO NOTE #3
L7	DOCK LIGHT			WL	23W, 2650L, 40K	120	O	CREE: E-WTD022A-1740T-42	CONDUIT TO REACH. CONDUIT TO INTERFERE WITH. REFER TO NOTE #3
L8	DO NOT USE								
L9	DO NOT USE								
L10	WET LOCATION LINEAR	51.8" L, 6.8" W, 4.3" H	O	LED	43W, 6100L, 35K	120	O	CREE: CL2034LEDD-SAT-CLR-38	INSTALL FIXTURES OVER TO REFRIGERATION UNITS. CONTRACTOR FOR INSTALLATION IN WET COOLER/FREEZER AREAS. REFER TO NOTE #3
L11	2' LOW-PROFILE LINEAR COVE LUMINAIRE	24.3" L, 1.13" W, 1.0" H	O	LED	15.5W, 1000L, 35K	120	O	CREE: CL2034LEDD-SAT-CLR-38	MOUNT FIXTURES ABOVE MULTIDECK UNITS ON GC. INSTALLED HAT CHANNELS W/ FIXTURE FINISHED MOUNTING CLIPS. PROVIDE ONE CL-1332BW POWER FEED SWITCH BOX AND INSTALL IN CENTER OF CONTINUOUS ROW. LIGHTING ROW LENGTH FROM SWITCH BOX NOT TO EXCEED 36'-0". REFER TO NOTE #3
L12	DO NOT USE								
L13	DO NOT USE								
B4	LINEAR STRIP LIGHT 3.7' BATTING HIGH OUTPUT	2.5'W, 44.25'L		LED	54W, 6000L, 35K	120	O	NORDEON: BL4-3500K-UNV-DA20-O-3.7-BL-DIM	MOUNTS INTO WIRE TRUNK. REFER TO WIRE TRUNK MOUNTING NOTES. REFER TO NOTE #4
B6	LINEAR STRIP LIGHT 5.5' BATTING HIGH OUTPUT	2.5'W, 66.4'L		LED	72W, 9000L, 35K	120	O	NORDEON: BL6-3500K-UNV-DA20-O-5.5-BL-DIM	SAME MOUNTING AS B4. REFER TO NOTE #4
B6E	LINEAR STRIP LIGHT 5.5' BATTING HIGH OUTPUT W/ EMERGENCY BACKUP MINIMUM OF 90 MIN OPERATION	2.5'W, 66.4'L		LED	72W, 9000L, 35K	120	O	NORDEON: BL6P-3500K-UNV-DA20-O-5.5-BL-DIM	SAME MOUNTING AS B4. FACTORY INSTALLED 500 LUMEN EMERGENCY POWER PACK. VERIFY (EM) FIXTURE PLACEMENT WITH DRAWING E-101 PRIOR TO INSTALLATION. REFER TO NOTE #4
B8	LINEAR STRIP LIGHT 7.4' BATTING HIGH OUTPUT	2.5'W, 84.4'L		LED	95W, 12000L, 35K	120	O	NORDEON: BL12-3500K-UNV-DA20-O-7.4-BL-DIM	SAME MOUNTING AS B4. REFER TO NOTE #4
B8E	LINEAR STRIP LIGHT 7.4' BATTING HIGH OUTPUT W/ EMERGENCY BACKUP MINIMUM OF 90 MIN OPERATION	2.5'W, 84.4'L		LED	95W, 12000L, 35K	120	O	NORDEON: BL12P-3500K-UNV-DA20-O-7.4-BL-DIM	SAME MOUNTING AS B4. FACTORY INSTALLED 500 LUMEN EMERGENCY POWER PACK. VERIFY (EM) FIXTURE PLACEMENT WITH DRAWING E-101 PRIOR TO INSTALLATION. REFER TO NOTE #4
D4	LINEAR STRIP LIGHT 3.7' DIFFUSED HIGH OUTPUT	2.5'W, 44.25'L		LED	54W, 6000L, 35K	120	O	NORDEON: BL4-3500K-UNV-DIF2-3.7-BL-DIM	SAME MOUNTING AS B4. REFER TO NOTE #4
D6	LINEAR STRIP LIGHT 5.5' DIFFUSED HIGH OUTPUT	2.5'W, 66.4'L		LED	72W, 9000L, 35K	120	O	NORDEON: BL6-3500K-UNV-DIF2-5.5-BL-DIM	SAME MOUNTING AS B4. REFER TO NOTE #4
D6L	LINEAR STRIP LIGHT 5.5' DIFFUSED HIGH OUTPUT	2.5'W, 66.4'L		LED	54W, 6000L, 35K	120	O	NORDEON: BL6-3500K-UNV-DIF2-5.5-BL-DIM	SAME MOUNTING AS B4. REFER TO NOTE #4
D4LE	LINEAR STRIP LIGHT 3.7' DIFFUSED HIGH OUTPUT	2.5'W, 44.25'L		LED	54W, 6000L, 35K	120	O	NORDEON: BL6-3500K-UNV-DIF2-5.5-BL-DIM	SAME MOUNTING AS B4. FACTORY INSTALLED 500 LUMEN EMERGENCY POWER PACK. VERIFY (EM) FIXTURE PLACEMENT WITH DRAWING E-101 PRIOR TO INSTALLATION. REFER TO NOTE #4
D8	LINEAR STRIP LIGHT 7.4' DIFFUSED HIGH OUTPUT	2.5'W, 84.4'L		LED	95W, 12000L, 35K	120	O	NORDEON: BL12-3500K-UNV-DIF2-7.4-BL-DIM	SAME MOUNTING AS B4. REFER TO NOTE #4
D8E	LINEAR STRIP LIGHT 7.4' DIFFUSED HIGH OUTPUT W/ EMERGENCY BACKUP MINIMUM OF 90 MIN OPERATION	2.5'W, 84.4'L		LED	95W, 12000L, 35K	120	O	NORDEON: BL12P-3500K-UNV-DIF2-7.4-BL-DIM	SAME MOUNTING AS B4. FACTORY INSTALLED 500 LUMEN EMERGENCY POWER PACK. VERIFY (EM) FIXTURE PLACEMENT WITH DRAWING E-101 PRIOR TO INSTALLATION. REFER TO NOTE #4
W4	LINEAR STRIP LIGHT 3.7' WALLWASH	2.5'W, 44.25'L		LED	34W, 4000L, 35K	120	O	NORDEON: BL4-3500K-UNV-WW-3.7-BL-DIM	SAME MOUNTING AS B4. REFER TO NOTE #4
W6X	LINEAR STRIP LIGHT 5.5' WALLWASH	2.5'W, 66.4'L		LED	54W, 6000L, 35K	120	O	NORDEON: BL6-3500K-UNV-WW-5.5-BL-DIM	SAME MOUNTING AS B4. REFER TO NOTE #4
W6	LINEAR STRIP LIGHT 5.5' WALLWASH HIGH OUTPUT	2.5'W, 66.4'L		LED	72W, 9000L, 35K	120	O	NORDEON: BLP-3500K-UNV-WW-5.5-BL-DIM	SAME MOUNTING AS B4. REFER TO NOTE #4
W8	LINEAR STRIP LIGHT 7.4' WALLWASH	2.5'W, 84.4'L		LED	72W, 9000L, 35K	120	O	NORDEON: BLP-3500K-UNV-WW-7.4-BL-DIM	SAME MOUNTING AS B4. REFER TO NOTE #4
S1	1.10' SINGLE SPOT MODULE	2.5'W, 22'L		LED	28W, 3000L, 35K	120	O	NORDEON: SK-E-1-28W-935-WB-BL-DIM	SAME MOUNTING AS B4. REFER TO NOTE #4
S1D	1.10' SINGLE SPOT MODULE W/ DIFFUSER	2.5'W, 22'L		LED	28W, 3000L, 35K	120	O	NORDEON: SK-E-1-28W-935-WB-BL-D-DIM	SAME MOUNTING AS B4. REFER TO NOTE #4
S2	1.10' DOUBLE SPOT MODULE	2.5'W, 22'L		LED	45W, 2X 3000L, 35K	120	O	NORDEON: SK-E-2-45W-935-WB-BL-DIM	SAME MOUNTING AS B4. REFER TO NOTE #4
S2D	1.10' DOUBLE SPOT MODULE W/ DIFFUSER	2.5'W, 22'L		LED	45W, 2X 3000L, 35K	120	O	NORDEON: SK-E-2-45W-935-WB-BL-D-DIM	SAME MOUNTING AS B4. REFER TO NOTE #4



**NOTE:**  
AN ENERGY MANAGEMENT SYSTEM FOR THE FACILITY IS SUPPLIED AS AN INTEGRAL PART OF THE POWER WALL. THE ELECTRICAL CONTRACTOR SHALL COORDINATE WITH THE PROJECT MANAGER ON INSTALLATION OF EQUIPMENT, LIGHTING AND WIRING DEVICE BRANCH CIRCUITS CONTROLLED BY THE ENERGY MANAGEMENT SYSTEM. THE ELECTRICAL CONTRACTOR SHALL PROVIDE ALL CONDUIT, WIRING AND CONNECTIONS AS REQUIRED TO CONTROL THE EQUIPMENT, LIGHTING AND WIRING DEVICES INDICATED.

- KEYNOTES:**
- E1 CONTACTORS FURNISHED WITH CONTROL POWER-WALL ENCLOSURE.
  - E2 FACTORY WIRED AS PANEL CONTROL POWER-WALL.
  - E3 WIRING TO BE PROVIDED BY ELECTRICAL CONTRACTOR. SEE PANEL AND SHEET E-101 FOR CIRCUIT LOCATIONS.
  - E4 ELECTRICAL CONTRACTOR TO PROVIDE DEDICATED CIRCUIT TO SITE LIGHTING POLE CLOSEST TO ENTRY. VERIFY POLE TO BE CONTROLLED AS "SAFETY LIGHT" WITH SITE LIGHTING ELECTRICAL PLAN AND ALDI REPRESENTATIVE.
  - E5 PROVIDE 2-POLE CIRCUIT BREAKER AS INDICATED IN PANELBOARD SCHEDULES FOR SITE LIGHTING FIXTURES.

D1 Lighting Control Diagram

Issued: \_\_\_\_\_ Date: \_\_\_\_\_

A	Client Review Set	05/07/19
B	Permit Set	06/12/19
C	Client Review Set	02/07/20
D	Bid Set	02/10/20

Revisions: \_\_\_\_\_ Date: \_\_\_\_\_


**DO NOT SCALE PLANS**  
Copying, Printing, Software and other processes required to produce these prints can stretch or shrink the actual paper or layout. Therefore, scaling of this drawing may be inaccurate. Contact our consultants with any need for additional dimensions or clarifications.

**ms consultants, inc.**  
engineers, architects, planners  
5444 Wade Park Blvd.  
Suite 160  
Raleigh, NC 27607-4299  
phone 919.772.5565  
fax 919.779.2308

DRAWN BY: MEM

REVIEWED BY: KFF

Seal

PROFESSIONAL OF RECORD:  
JASON E. CHRISTOFF No. 039391  
EXP. DATE: 12/31/2020

**ALDI Inc.**  
1985 Old Union Church Road  
Salisbury, NC 28146  
(704) 442-0023  
(704) 642-0078 fax

ALDI Inc. Store #: 154  
Cornelius, NC  
20101 West Catawba Avenue  
Cornelius, NC 28031  
Mecklenburg County  
Project Name & Location:

Schedules & Diagrams Drawing Name:	Prototype Rls. 12/10/18	Project No. 40452-07
Type: LHS-D-V8ER		
Scale: As Noted		Drawing No. E-102