

PLOTTED: 2/10/2020 9:39 AM

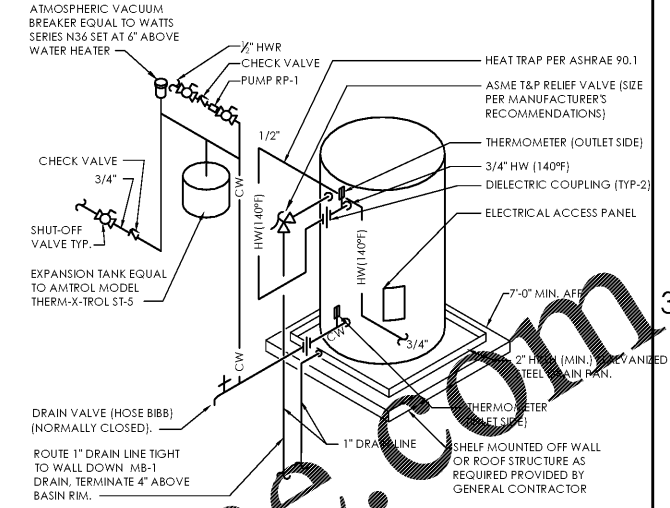
Order Plans @

WWW.LDLINE.COM

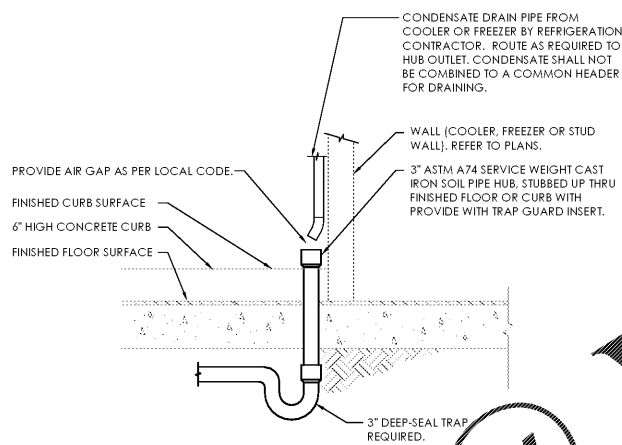
**Unit Heater Gas Piping Detail**  
SCALE: NONE



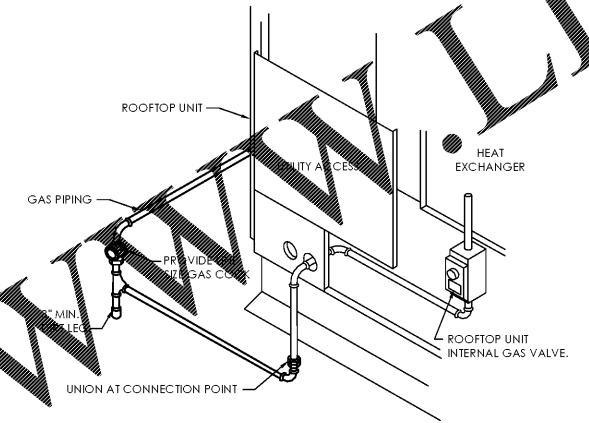
**Water Heater Piping Diagram**  
SCALE: N.T.S.



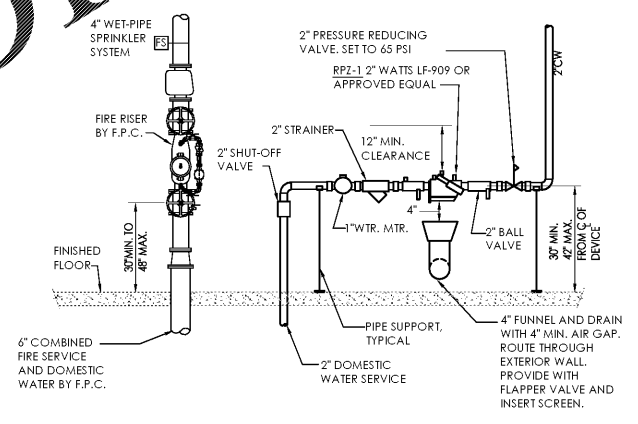
**Back Room Condensate Drain Connection Detail**  
SCALE: NONE



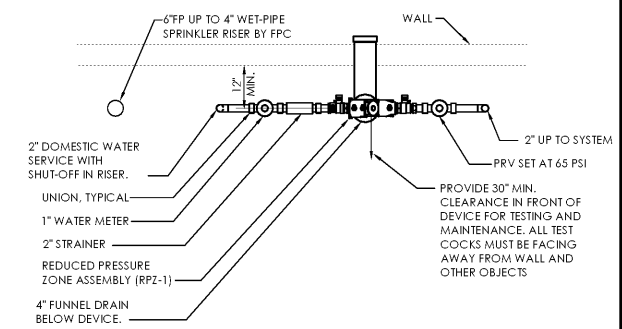
**Rooftop Unit Gas Piping Detail**  
SCALE: NONE



**Elevation View**



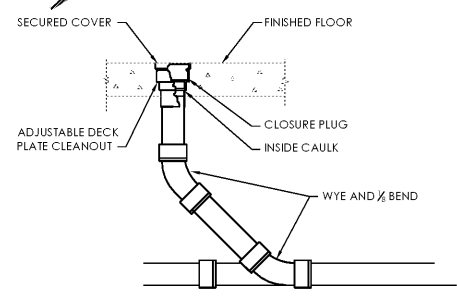
**Plan View**



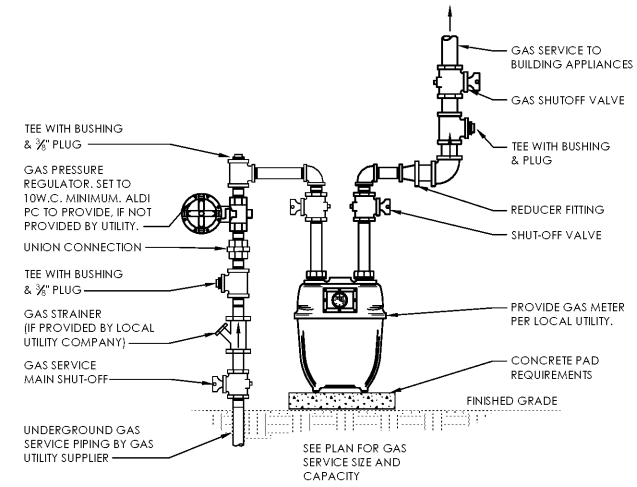
**Detail Notes**

- RPZ SHALL BE ADEQUATELY SUPPORTED TO PREVENT LATERAL MOVEMENT. PIPE HANGERS, BRACES, SADDLES, PIERS, ECT., SHOULD BE USED TO SUPPORT THE RPZ AND SHOULD BE PLACED IN A MANNER THAT WILL NOT OBSTRUCT THE FUNCTION OF, OR INTERFERE WITH ACCESS TO THE RPZ.
- LOCATION OF RPZ SHALL BE HEATED AND WELL LIGHTED.
- PROVIDE THE FOLLOWING CLEARANCES AROUND THE BACKFLOW PREVENTION DEVICE:  
12" MIN. ABOVE DEVICE.  
30" MIN. IN FRONT OF DEVICE.  
12" MIN. BEHIND DEVICE.

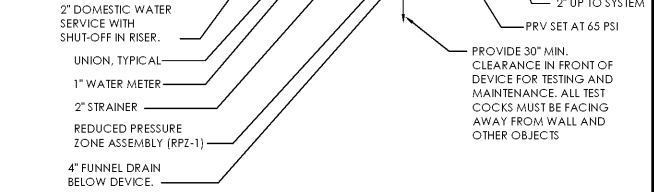
**Deck Plate Cleanout Detail**  
SCALE: NONE



**Gas Service Detail**  
SCALE: N.T.S.

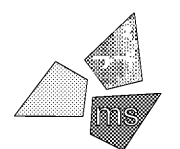


**Water Service Detail**  
SCALE: N.T.S.



Issued:	Date:
A Client Review Set	05/07/19
B Permit Set	06/12/19
C Client Review Set	02/07/20
D Bid Set	02/10/20
Revisions:	Date:

**DO NOT SCALE PLANS**  
Copying, Printing, Software and other processes required to produce these prints can stretch or shrink the actual paper or layout. Therefore, scaling of this drawing may be inaccurate. Contact me consultants with any need for additional dimensions or clarifications.



**ms consultants, inc.**  
engineers, architects, planners  
5444 Wade Park Blvd.  
Suite 160  
Raleigh, NC 27607-4299  
phone 919.772.5565  
fax 919.779.2308

DRAWN BY:	MEM
REVIEWED BY:	KFF

Seal

PROFESSIONAL OF RECORD:  
JASON E. CHRISTOFF No. 039391  
EXP. DATE: 12/31/2020



**ALDI Inc.** Store #: 154  
Cornelius, NC  
20101 West Catawba Avenue  
Cornelius, NC 28031  
Mecklenburg County  
Project Name & Location:

<b>Plumbing Details</b>	
Drawing Name:	
Prototype Rls. 12/10/18	Project No. 40452-07
Type: LHSD-V8ER	
	P-401
Scale: As Noted	Drawing No.

D

C

B

A