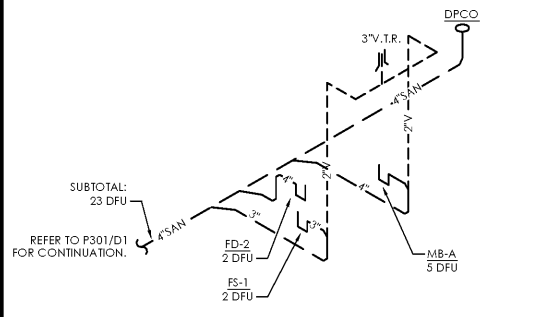
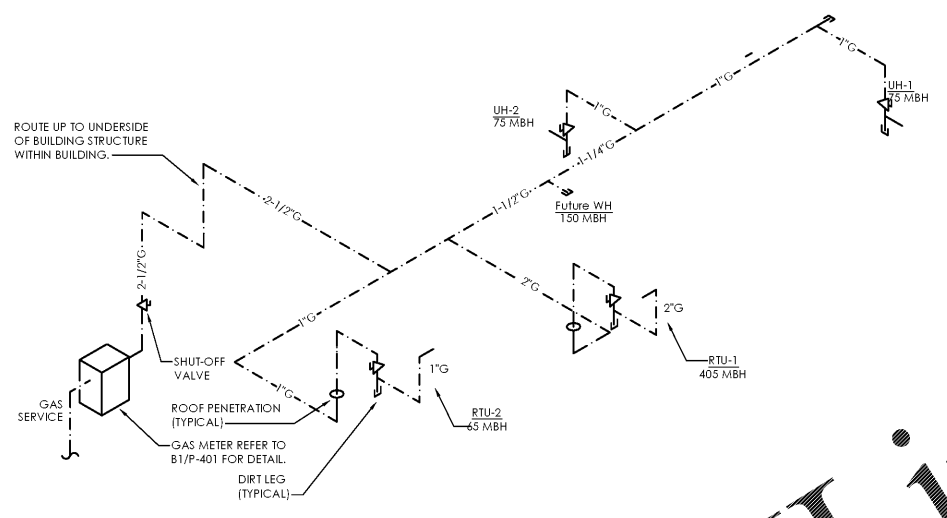


PLOTTED: 2/10/2020 9:39 AM



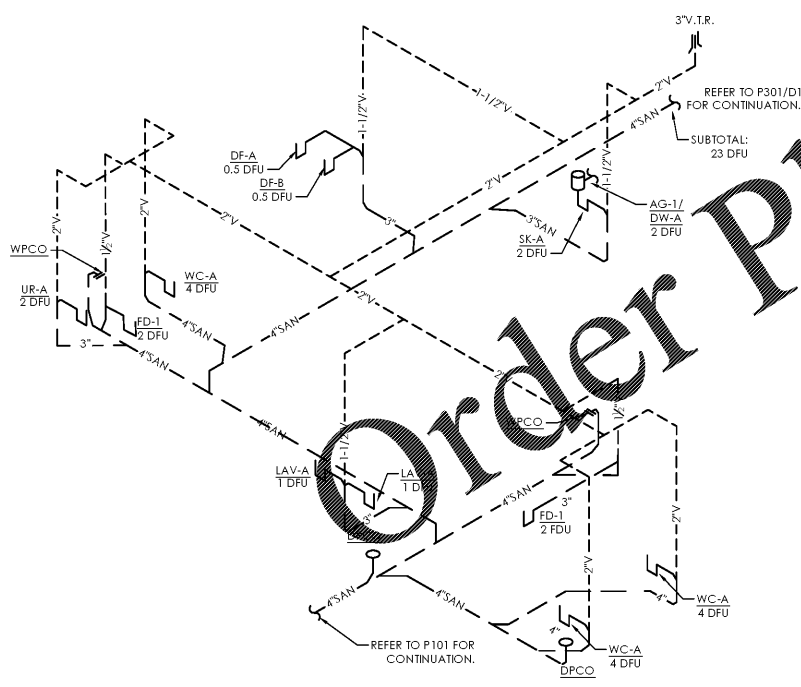
D2 Sanitary Isometric Diagram (Back Room)
NO SCALE



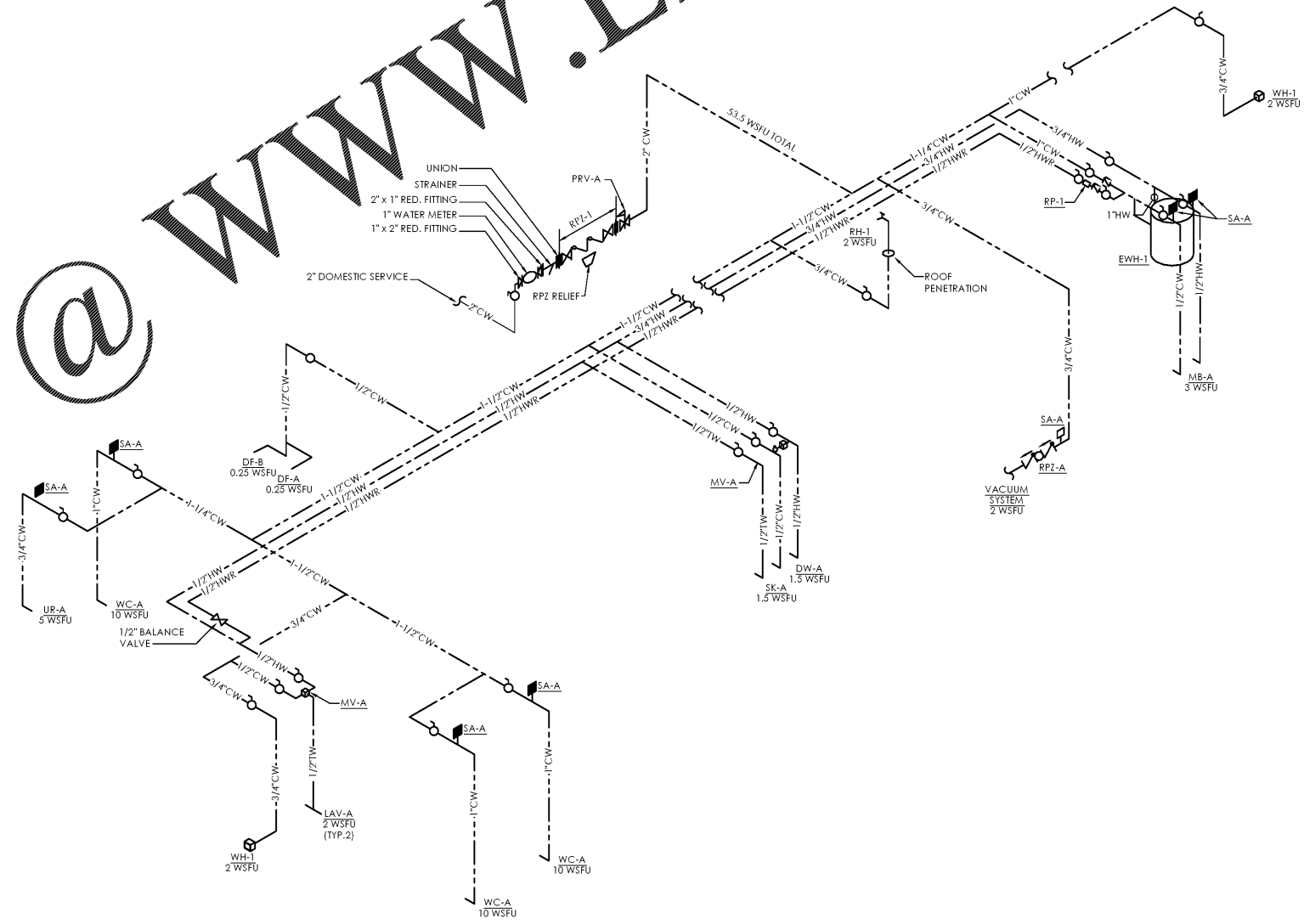
B2 Gas Isometric Diagram
NO SCALE

GAS PIPE SIZING CALCULATIONS			
REFERENCE TABLE	2018 NCFGC		
INLET PRESSURE	LESS THAN 2 PSI		
PRESSURE DROP	0.5 IN. W.C.		
SPEC. GRAVITY	0.60		
LONGEST RUN	-250'		
TOTAL LOAD	770		
EQUIPMENT	TAG	AD (MBH)	PIPE SIZE
ROOFTOP UNIT	RU-1	105	2"
ROOFTOP UNIT	RU-2	75	1"
UNIT HEATER	UH-1	75	1"
UNIT HEATER	UH-2	75	1"
FUTURE UNIT HEATER	UH-3	150	1-1/4"
FUTURE UNIT HEATER	UH-4	770	2-1/2"

NOTE: SIZING BASED ON LONGEST LENGTH METHOD. LONGEST LENGTH IS TO UH-1 AT 250 FEET. SIZING BASED OFF OF USING 2015 IFGC TABLE 402.4(2) USING LENGTH OF 250 FEET.



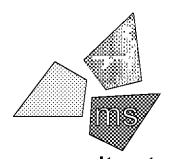
D1 Sanitary Isometric Diagram (Office Area)
NO SCALE



B1 Domestic Water Isometric Diagram
NO SCALE

Issued:	Date:
A Client Review Set	05/07/19
B Permit Set	06/12/19
C Client Review Set	02/07/20
D Bid Set	02/10/20
Revisions:	Date:

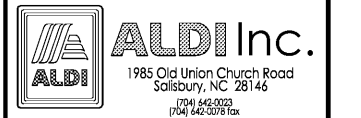
DO NOT SCALE PLANS
Copying, Printing, Software and other processes required to produce these prints can stretch or shrink the actual paper or layout. Therefore, scaling of this drawing may be inaccurate. Contact your consultants with any need for additional dimensions or clarifications.



ms consultants, inc.
engineers, architects, planners
5444 Wade Park Blvd.
Suite 160
Raleigh, NC 27607-4299
phone 919.772.5565
fax 919.779.2308

DRAWN BY: MEM
REVIEWED BY: KFF

Seal
PROFESSIONAL OF RECORD:
JASON E. CHRISTOFF No. 039391
EXP. DATE: 12/31/2020



ALDI Inc. Store #: 154
Cornelius, NC
20101 West Catawba Avenue
Cornelius, NC 28031
Mecklenburg County
Project Name & Location:

Isometric Diagrams Drawing Name:	Project No. 40452-07
Prototype Rls. 12/10/18	
Type: LHS-D-V8ER	
	P-301
Scale: As Noted	Drawing No.