

DOOR NO.	DOOR				FRAME				HDW. GROUP	DETAIL			REMARK	DOOR NO.	ROOM NAME		
	WIDTH	HEIGHT	THICK.	ELEV.	MAT.	FIN.	FIRE LABEL	ELEV.		MAT.	FIN.	FIRE LABEL				HEAD	JAMB
101A	+/- 16'-0" V.I.F.	8'-2"	--	DD	ALUM.	--	--	ALUM.	--	--	100	--	--	B1/A501	101A	VESTIBULE	
101B	+/- 8'-2" V.I.F.	8'-2"	--	EE	ALUM.	--	--	ALUM.	--	--	100	--	--	B1/A501 SIM	101B	VESTIBULE	
101C	+/- 8'-2" V.I.F.	8'-2"	--	EE	ALUM.	--	--	ALUM.	--	--	100	--	--	B1/A501 SIM	101C	VESTIBULE	
102A	7'-0"	8'-0"	1 1/2"	CC	POLY	--	--	D	H.M.	1	--	SEE REMARK	6/A601	7/A601	A2/A513	102A	SALES
102B	4'-0"	7'-0"	1 3/4"	BB	H.M.	1/2	--	C	H.M.	1/2	--	500	1/A601	2/A601	3/A601	102B	STORAGE
103	3'-0"	7'-0"	1 3/4"	AA	H.M.	1	--	A	H.M.	1	--	200	4/A601	5/A601	--	103	WOMENS
104	3'-0"	7'-0"	1 3/4"	AA	H.M.	1/2	--	B	H.M.	1/2	--	500	1/A601	2/A601	3/A601	104	HALL
105	3'-0"	7'-0"	1 3/4"	AA	H.M.	1	--	A	H.M.	1	--	200	4/A601	5/A601	--	105	MENS
106	3'-0"	7'-0"	1 3/4"	AA	H.M.	1	--	A	H.M.	1	--	401	4/A601	5/A601	--	106	BREAK ROOM
107	3'-0"	7'-0"	1 3/4"	AA	H.M.	1	--	A	H.M.	1	--	400	4/A601	5/A601	--	107	OFFICE
109A	3'-0"	7'-0"	1 3/4"	AA	H.M.	1/2	--	B	H.M.	1/2	--	600	1/A601	2/A601	3/A601	109A	BACK ROOM
109B	8'-2"	8'-1"	--	FF	STL.	3/2	--	--	--	3/2	--	SEE REMARK	8/A601	9/A601	10/A601	109B	BACK ROOM
110	4'-0"	7'-0"	1 3/4"	AA	H.M.	1/2	--	E	H.M.	1	--	700	4/A601	5/A601	--	110	STORAGE

NOTE: ALL HOLLOW METAL DOORS, FRAMES AND HARDWARE ARE OWNER FURNISHED / CONTRACTOR INSTALLED. (PAINTING IS BY CONTRACTOR.)

LEGEND	
H.M.	HOLLOW METAL
ALUM.	ANODIZED ALUMINUM
POLY	POLYETHYLENE

NOTE: SEE SHEET A-603 FOR FINISH SCHEDULES. SEE SHEETS A212-A215 & E201 FOR POWER REQUIREMENTS & COMPONENT LOCATIONS AT DOORS 102B, 104 & 109A.

DOOR HARDWARE				
DOOR HARDWARE SET NO. 100				
DOOR NO. 101A, 101B, 101C; PROVIDED BY OWNER.				

DOOR HARDWARE SET NO. 200				
DOOR NO. 103, 105; MENS & WOMENS; EACH TO HAVE THE FOLLOWING:				
No.	Item	Description	Manufacturer	Finish
3	HINGES	FBB179-NRP	STANLEY HARDWARE (STH)	626
1	PULL	158	ROCKWOOD	626
1	PUSH PLATE	70RCE	ROCKWOOD	626
1	CLOSER	8501-BF-AL	NORTON DOOR (NDC)	AL
1	WALL STOP	402-1/2	IVES (IVS)	AL
1	12" H. PROTECTIVE PLATE	8400	IVES (IVS)	630

DOOR HARDWARE SET NO. 400				
DOOR NO. 107; OFFICE TO HAVE THE FOLLOWING:				
No.	Item	Description	Manufacturer	Finish
3	HINGES	FBB179-NRP	STANLEY HARDWARE (STH)	626
1	STOREROOM LOCK	L9453BDC 06A	SCHLAGE (SCH)	626
1	CLOSER	8501-BF-AL	NORTON DOOR (NDC)	AL
1	WALL STOP	402-1/2	IVES (IVS)	AL
1	DOOR VIEWER	698	IVES (IVS)	AL
1	42" H. PROTECTIVE PLATE	8400	IVES (IVS)	630

DOOR HARDWARE SET NO. 401				
DOOR NO. 106; BREAK ROOM TO HAVE THE FOLLOWING:				
No.	Item	Description	Manufacturer	Finish
3	HINGES	FBB179-NRP	STANLEY HARDWARE (STH)	626
1	PRIVACY LOCK	SCHLAGE L9455P 06A X L283-722 X 2 EMERGENCY KEYS	SCHLAGE (SCH)	626
1	CLOSER	8501-BF-AL	NORTON DOOR (NDC)	AL
1	WALL STOP	402-1/2	IVES (IVS)	AL
1	DOOR VIEWER	698	IVES (IVS)	AL
1	42" H. PROTECTIVE PLATE	8400	IVES (IVS)	630

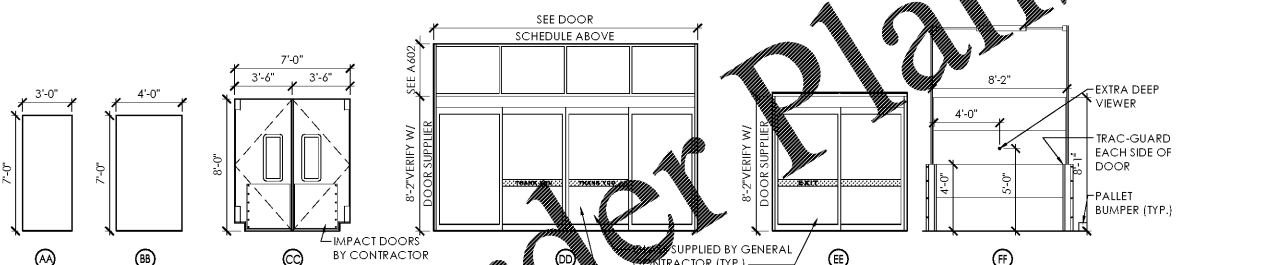
NOTE: ALL HARDWARE SHALL COMPLY WITH THE REQUIREMENTS OF NIBC 1109.12 AND ANS A17.1, SEC. 509 AND 504.

KEYNOTES - FINISHES (SEE A-603 COLOR/MATERIAL SCHEDULE)			
1	PT-3 / CL-5	SEMIGLOSS - INTERIOR SIDE	
2	PT-19 / CL-5	SEMIGLOSS - EXTERIOR SIDE	
3	PREFINISHED	WHITE - INTERIOR SIDE	

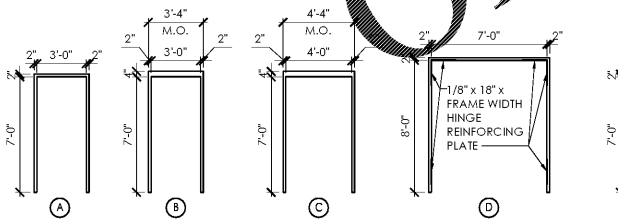
DOOR HARDWARE (CONT.)				
DOOR HARDWARE SET NO. 500				
DOOR NO. 102B, 104; EGRESS TO HAVE THE FOLLOWING:				
No.	Item	Description	Manufacturer	Finish
2	HINGES	FBB191(32D)-NRP	STANLEY HARDWARE (STH)	630
1	HINGE	EW8H-626	DETEX	626
1	THRESHOLD	896N	NATIONAL GUARD (NGP)	AL
1	EXIT/PANIC	V40XEALDXIC7X K3X(36"or48") - INCLUDES TRANSFORMER PP-S152-3	DETEX	628
1	REMOTE SOUNDER	CS-2940S	DETEX	GREY
1	CLOSER	8501-BF-AL	NORTON DOOR (NDC)	AL
1	DRIP STRIP	1.6A	NATIONAL GUARD (NGP)	CLEAR ANOD AL
1	STICK-ON GASKET	5060B	NATIONAL GUARD (NGP)	-
1	DOOR SWEEP	9605A	NATIONAL GUARD (NGP)	CLEAR ANOD AL

DOOR HARDWARE SET NO. 600				
DOOR NO. 109A; BACKROOM EGRESS TO HAVE THE FOLLOWING:				
No.	Item	Description	Manufacturer	Finish
2	HINGES	FBB191(32D)-NRP	STANLEY HARDWARE (STH)	630
1	HINGE	EW8H-626	DETEX	626
1	THRESHOLD	896N	NATIONAL GUARD (NGP)	AL
1	EXIT/PANIC	V4009D2W428X(R) HRO(L)H(V)EAX LDXIC7XIC7XK3X (36"or48") - INCLUDES TRANSFORMER PP-S152-3	DETEX	628
1	REMOTE SOUNDER	CS-2940S	DETEX	GREY
1	CLOSER W/ HOLD OPEN	1601H	NORTON DOOR (NDC)	AL
1	DRIP STRIP	1.6A	NATIONAL GUARD (NGP)	CLEAR ANOD AL
1	STICK-ON GASKET	5060B	NATIONAL GUARD (NGP)	-
1	DOOR SWEEP	9605A	NATIONAL GUARD (NGP)	CLEAR ANOD AL
1	DOOR VIEWER	698	IVES (IVS)	AL

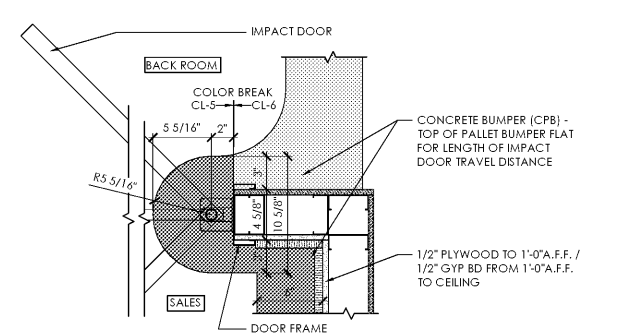
DOOR HARDWARE SET NO. 700				
DOOR NO. 110; STORAGE TO HAVE THE FOLLOWING:				
No.	Item	Description	Manufacturer	Finish
3	HINGES	FBB179-NRP	STANLEY HARDWARE (STH)	626
1	STOREROOM LOCK	L9453BDC 06A	SCHLAGE (SCH)	626
1	CLOSER	8501-BF-AL	NORTON DOOR (NDC)	AL
1	WALL STOP	402-1/2	IVES (IVS)	AL
1	42" H. PROTECTIVE PLATE	8400	IVES (IVS)	630



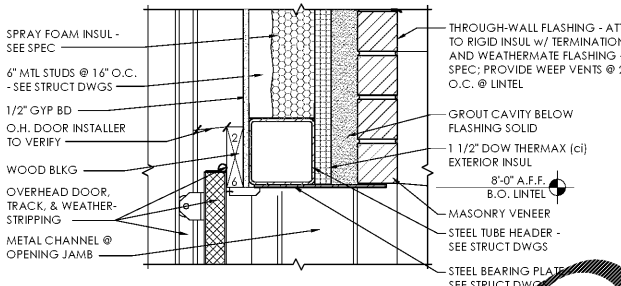
12 Door Elevations SCALE: 3/16" = 1'-0"



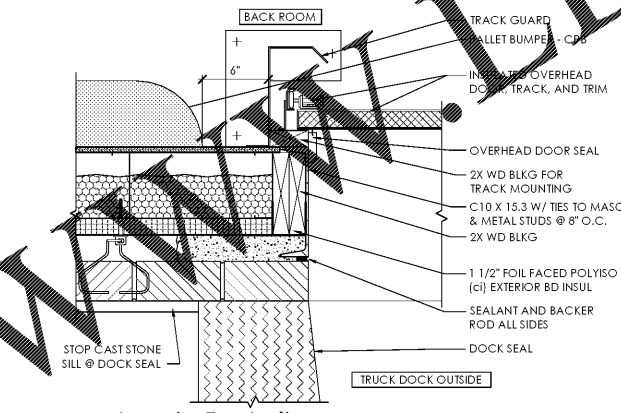
13 Frame Elevations SCALE: 3/16" = 1'-0"



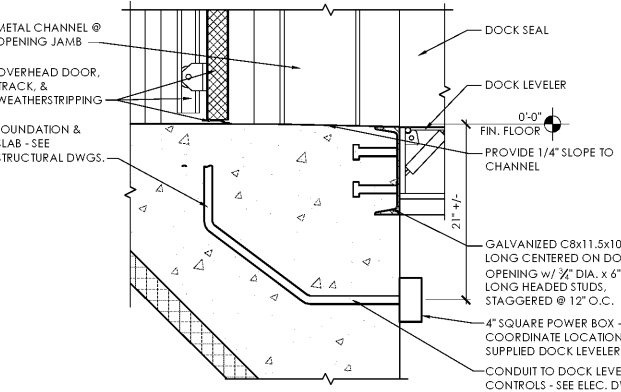
7 Jamb Detail SCALE: 1 1/2" = 1'-0"



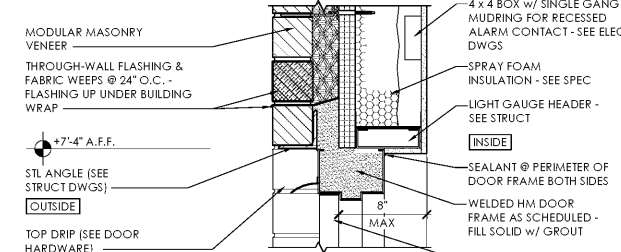
8 Head Detail SCALE: 1 1/2" = 1'-0"



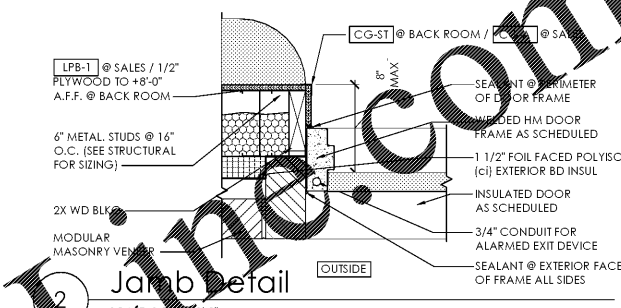
9 Jamb Detail SCALE: 1 1/2" = 1'-0"



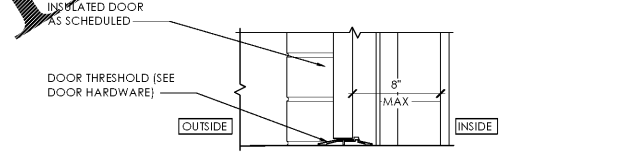
10 Sill Detail SCALE: 1 1/2" = 1'-0"



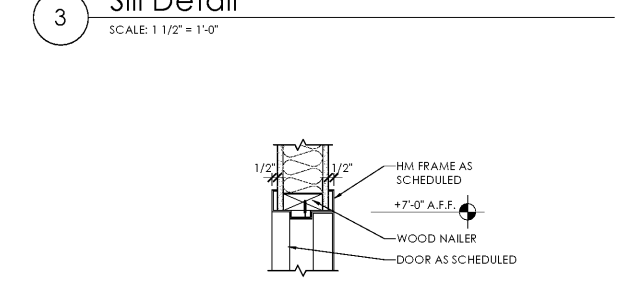
1 Head Detail SCALE: 1 1/2" = 1'-0"



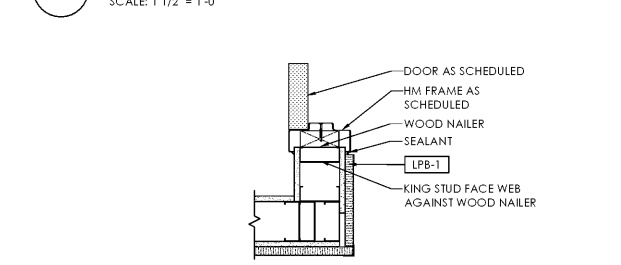
2 Jamb Detail SCALE: 1 1/2" = 1'-0"



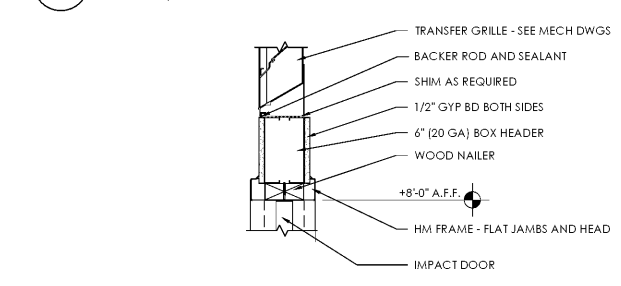
3 Sill Detail SCALE: 1 1/2" = 1'-0"



4 Head Detail SCALE: 1 1/2" = 1'-0"



5 Jamb Detail SCALE: 1 1/2" = 1'-0"



6 Head Detail SCALE: 1 1/2" = 1'-0"

Issued:	Date:
A Client Review Set	05/07/19
B Permit Set	06/12/19
C Client Review Set	02/07/20
D Bid Set	02/10/20

DO NOT SCALE PLANS
Copying, Printing, Software and other processes required to produce these prints can stretch or shrink the actual paper or layout. Therefore, scaling of this drawing may be inaccurate. Contact us consultants with any need for additional dimensions or clarifications.

ms consultants, inc.
engineers, architects, planners
5444 Wade Park Blvd.
Suite 160
Raleigh, NC 27607-4299
phone 919.772.5565
fax 919.779.2308

DRAWN BY: KKL
REVIEWED BY: NAL

Seal
PROFESSIONAL OF RECORD:
CHARLES M. BUSCH No. 14751
EXP. DATE: 06/30/2020

ALDI Inc.
1985 Old Union Church Road
Salisbury, NC 28146
(704) 642-0993
(704) 642-0078 fax

ALDI Inc. Store #: 154
Cornelius, NC
20101 West Catawba Avenue
Cornelius, NC 28031
Mecklenburg County
Project Name & Location:

Door Schedules & Details Drawing Name:	
Prototype Rls. 12/10/18	Project No. 40452-07
Type: LHSD-V8ER	
Scale: As Noted	Drawing No. A-601