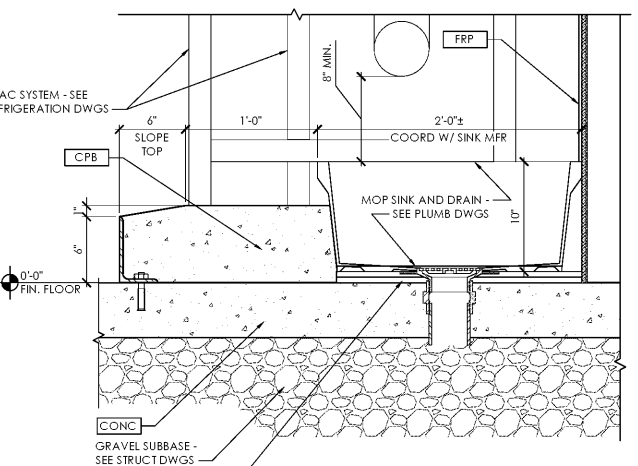
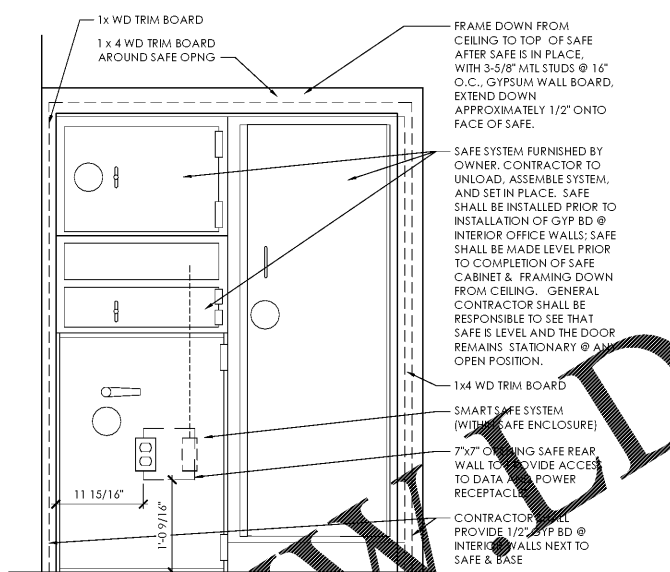


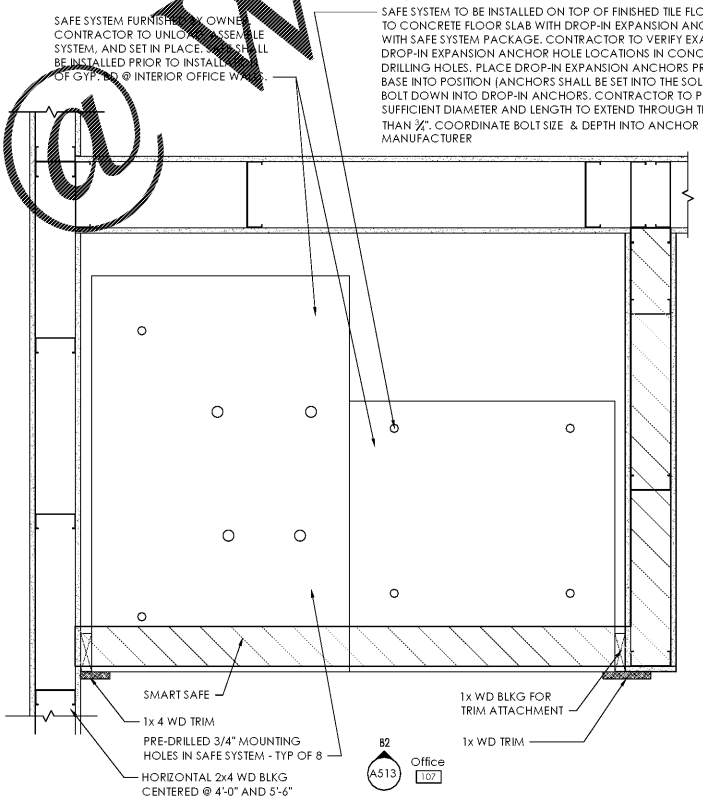
Interior Plan Detail - EVAC System
SCALE: 3/4" = 1'-0"



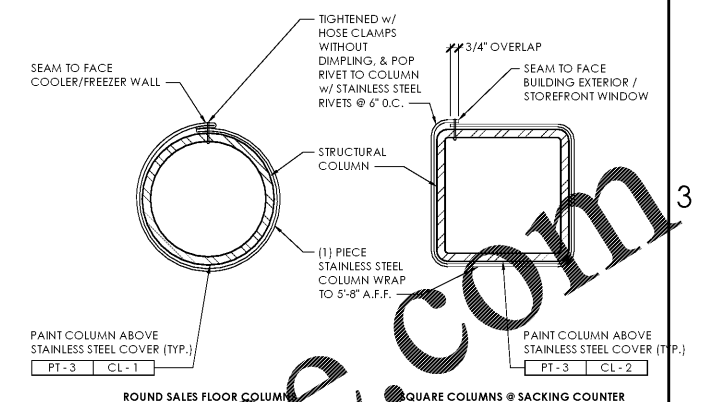
Interior Section Detail - EVAC Floor Sink (Side)
SCALE: 1 1/2" = 1'-0"



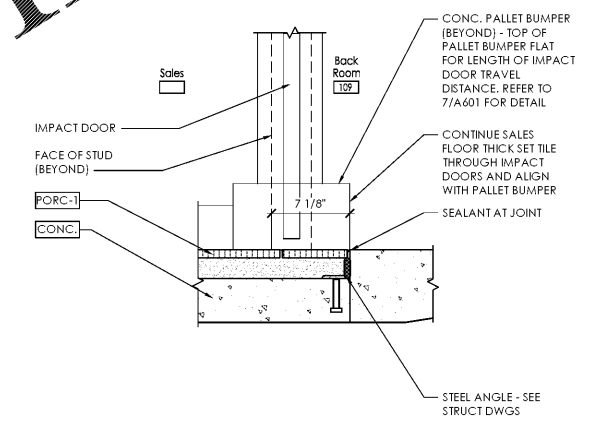
Interior Elevation Detail - Office Safe
SCALE: 1/2" = 1'-0"



Interior Plan Detail - Office Safe
SCALE: 1 1/2" = 1'-0"



Interior Plan Detail - Sales Area Column Wrap
SCALE: 1/2" = 1'-0"

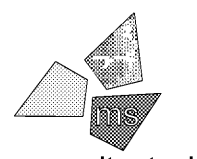


Interior Section Detail - Slab at Impact Door
SCALE: 1 1/2" = 1'-0"

Order Plans

Issued:	Date:
A Client Review Set	05/07/19
B Permit Set	06/12/19
C Client Review Set	02/07/20
D Bid Set	02/10/20
Revisions:	Date:

DO NOT SCALE PLANS
Copying, Printing, Software and other processes required to produce these prints can stretch or shrink the actual paper or layout. Therefore, scaling of this drawing may be inaccurate. Contact me consultants with any need for additional dimensions or clarifications.



ms consultants, inc.
engineers, architects, planners
5444 Wade Park Blvd.
Suite 160
Raleigh, NC 27607-4299
phone 919.772.5565
fax 919.779.2308

DRAWN BY:	KKL
REVIEWED BY:	NAL

Seal
PROFESSIONAL OF RECORD:
CHARLES M. BUSCH No. 14751
EXP. DATE: 06/30/2020



ALDI Inc. Store #: 154
Cornelius, NC
20101 West Catawba Avenue
Cornelius, NC 28031
Mecklenburg County
Project Name & Location:

Interior Details	
Drawing Name:	
Prototype Rls. 12/10/18	Project No. 40452-07
Type: LHSD-V8ER	

Scale: As Noted Drawing No. A-513