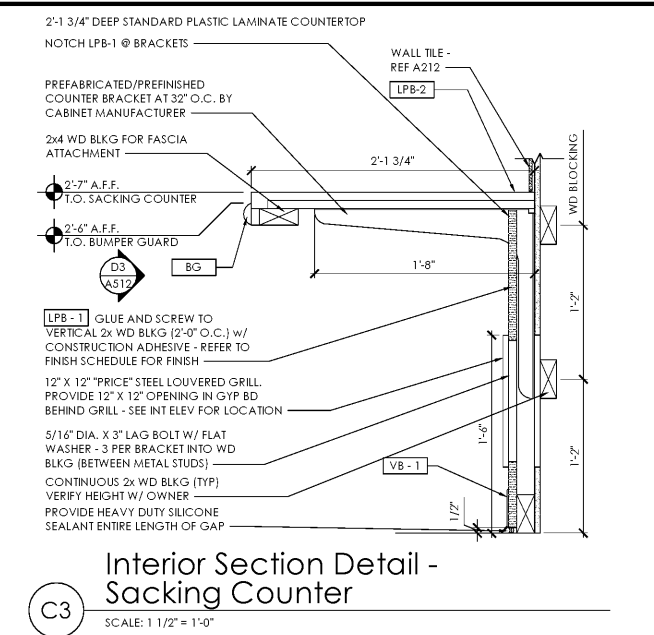
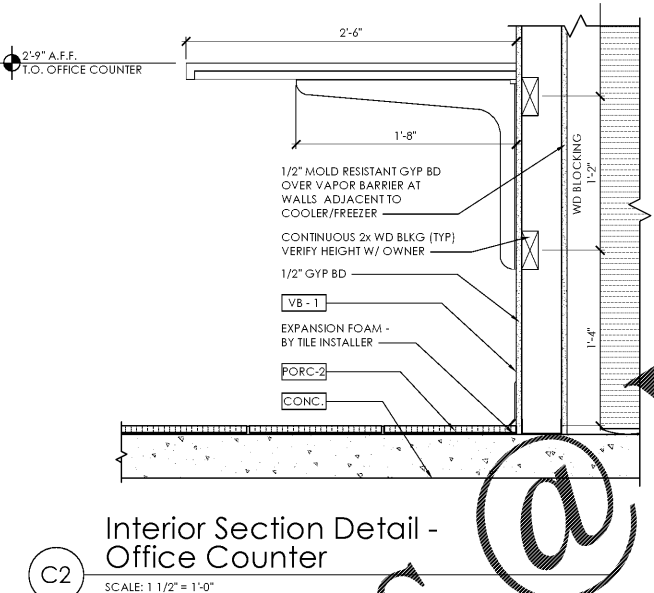


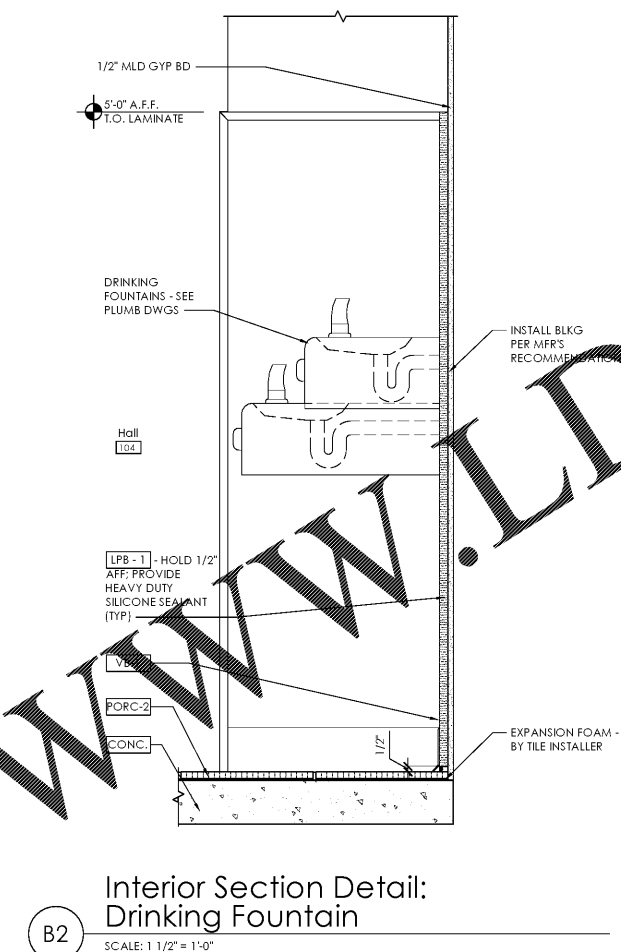
D3 Interior Elevation Detail: Sacking Counter
SCALE: 1 1/2" = 1'-0"



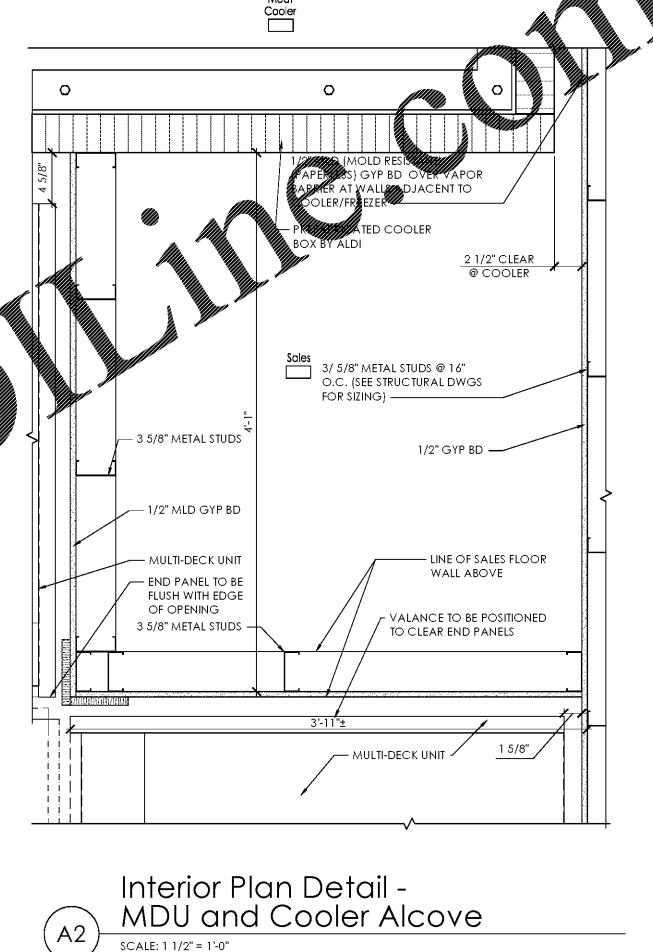
C3 Interior Section Detail - Sacking Counter
SCALE: 1 1/2" = 1'-0"



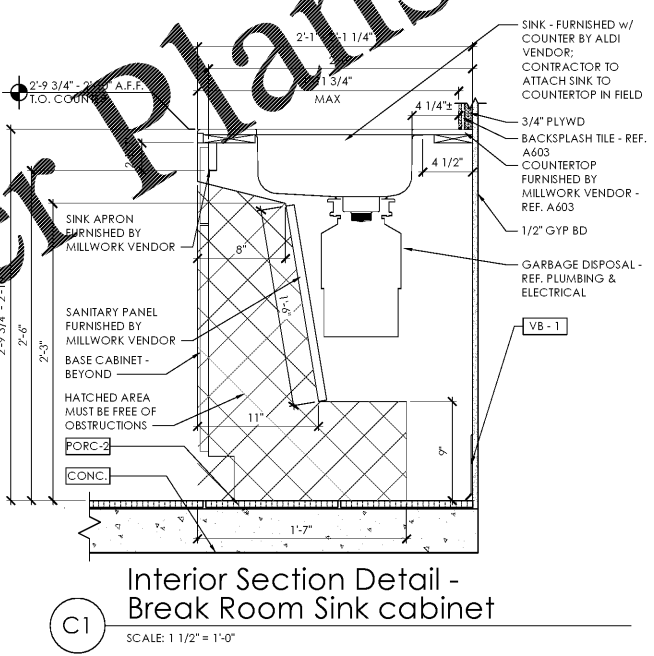
C2 Interior Section Detail - Office Counter
SCALE: 1 1/2" = 1'-0"



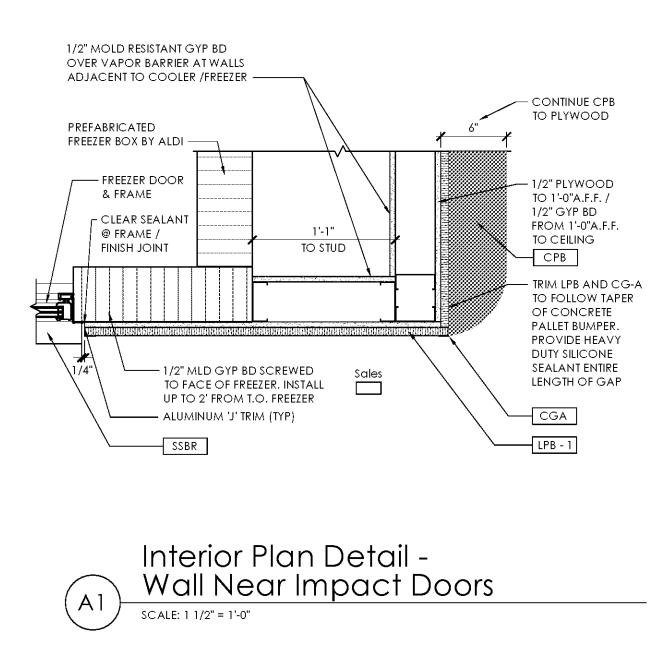
B2 Interior Section Detail: Drinking Fountain
SCALE: 1 1/2" = 1'-0"



A2 Interior Plan Detail - MDU and Cooler Alcove
SCALE: 1 1/2" = 1'-0"



C1 Interior Section Detail - Break Room Sink cabinet
SCALE: 1 1/2" = 1'-0"



A1 Interior Plan Detail - Wall Near Impact Doors
SCALE: 1 1/2" = 1'-0"

Issued:	Date:
A Client Review Set	05/07/19
B Permit Set	06/12/19
C Client Review Set	02/07/20
D Bid Set	02/10/20
Revisions:	Date:

DO NOT SCALE PLANS
Copying, Printing, Software and other processes required to produce these prints can stretch or shrink the actual paper or layout. Therefore, scaling of this drawing may be inaccurate. Contact the consultants with any need for additional dimensions or clarifications.

ms consultants, inc.
engineers, architects, planners
5444 Wade Park Blvd.
Suite 160
Raleigh, NC 27607-4299
phone 919.772.5565
fax 919.779.2308

DRAWN BY:	KKL
REVIEWED BY:	NAL

Seal

PROFESSIONAL OF RECORD:
CHARLES M. BUSCH No. 14751
EXP. DATE: 06/30/2020

ALDI Inc.
1985 Old Union Church Road
Salisbury, NC 28146
(704) 642-2022
(704) 642-0278 fax

ALDI Inc. Store #: 154
Cornelius, NC
20101 West Catawba Avenue
Cornelius, NC 28031
Mecklenburg County
Project Name & Location:

Interior Details	
Drawing Name:	
Prototype Rls. 12/10/18	Project No. 40452-07
Type: LHSD-V8ER	
	A-512
Scale: As Noted	Drawing No.

Order Plans @

WWW.LDILine.com