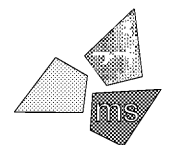


Issued:	Date:
A Client Review Set	05/07/19
B Permit Set	06/12/19
C Client Review Set	02/07/20
D Bid Set	02/10/20
Revisions:	Date:

DO NOT SCALE PLANS

Copying, Printing, Software and other processes required to produce these prints can stretch or shrink the actual paper or layout. Therefore, scaling of this drawing may be inaccurate. Contact the consultants with any need for additional dimensions or clarifications.



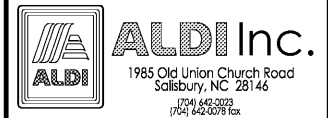
**ms consultants, inc.**  
 engineers, architects, planners  
 5444 Wade Park Blvd.  
 Suite 160  
 Raleigh, NC 27607-4299  
 phone 919.772.5565  
 fax 919.779.2308

DRAWN BY: KKL

REVIEWED BY: NAL

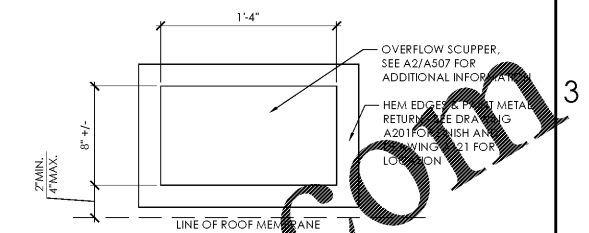
Seal

PROFESSIONAL OF RECORD:  
 CHARLES M. BUSCH No. 14751  
 EXP. DATE: 06/30/2020

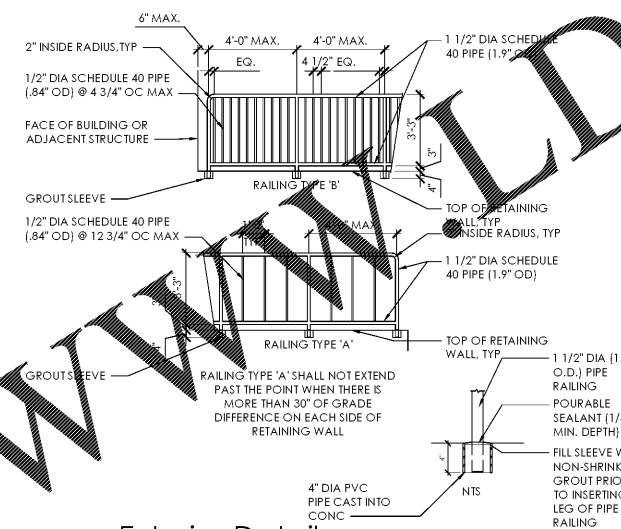


**ALDI Inc.** Store #: 154  
 Cornelius, NC  
 20101 West Catawba Avenue  
 Cornelius, NC 28031  
 Mecklenburg County  
 Project Name & Location:

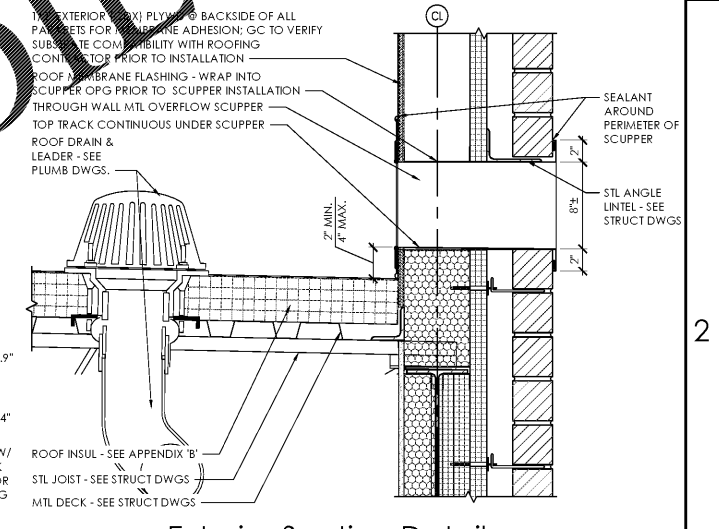
Exterior Details Drawing Name:	Project No.
Prototype Rls. 12/10/18	40452-07
Type: LHSD-V8ER	A-507
Scale: As Noted	Drawing No.



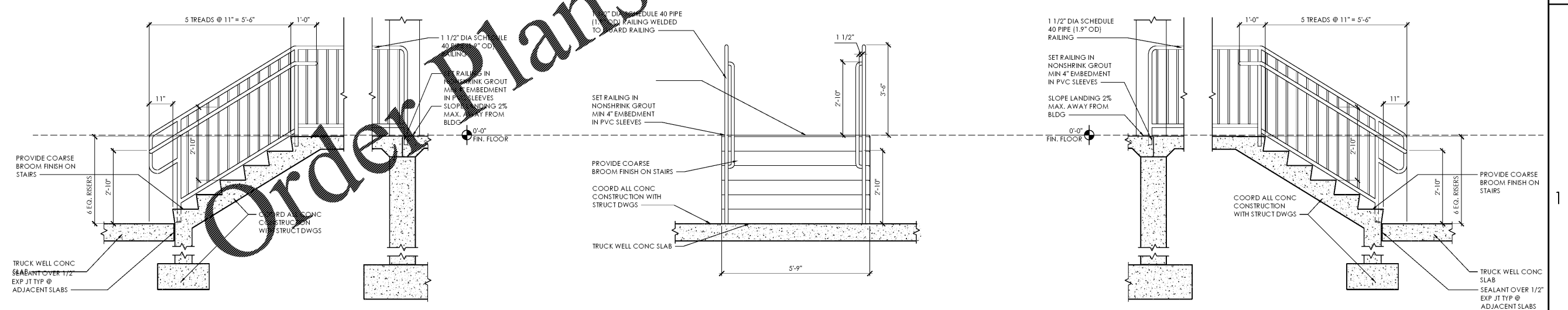
**Exterior Detail Roof Scupper**  
 SCALE: 1 1/2" = 1'-0"



**Exterior Detail - Railing Types**  
 SCALE: 1/4" = 1'-0"



**Exterior Section Detail - Parapet at Scupper**  
 SCALE: 1 1/2" = 1'-0"



**Exterior Section Detail - Loading Dock Stairs**  
 SCALE: 1/2" = 1'-0"

PLOTTED: 2/10/2020 9:33 AM