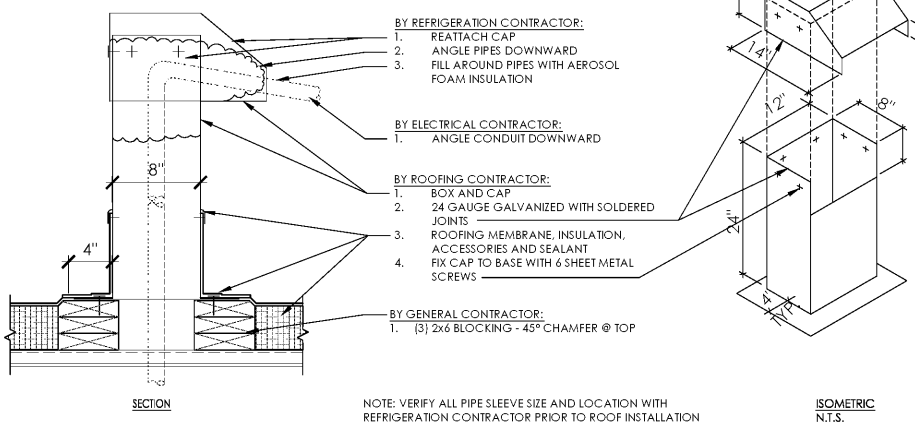
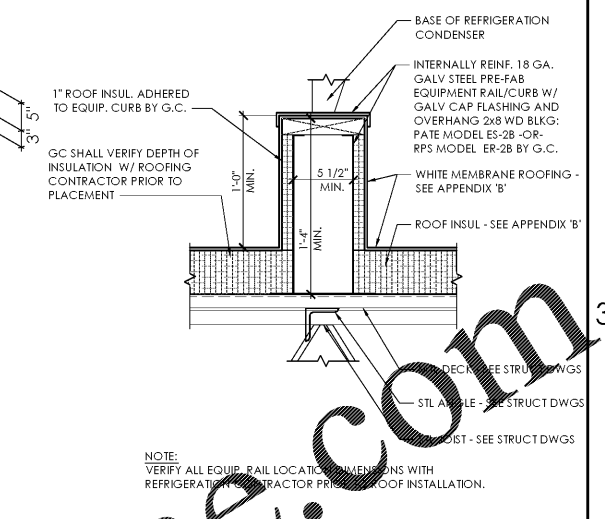


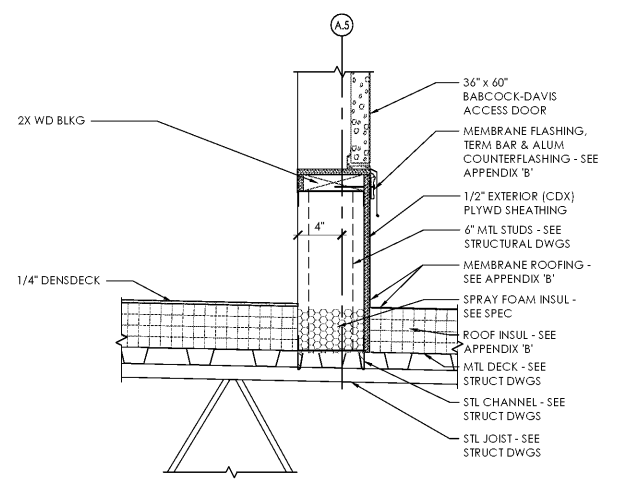
**Exterior Section Detail - Roof Hatch**  
 C3 SCALE: 1 1/2" = 1'-0"



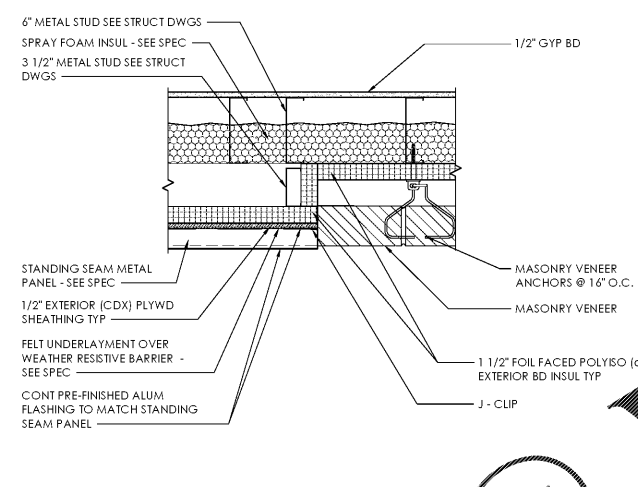
**Exterior Section Detail - Multiple Pipe Boot Curb**  
 B3 SCALE: 1 1/2" = 1'-0"



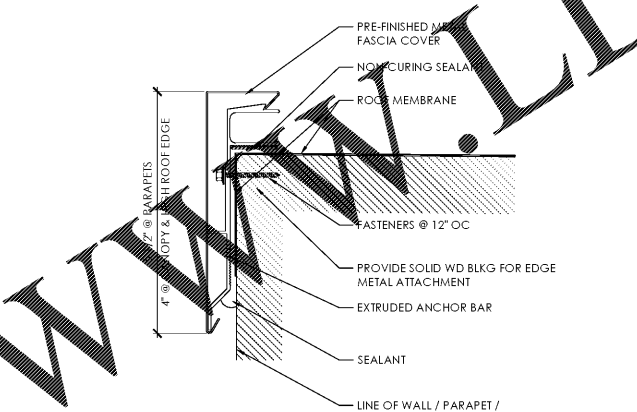
**Exterior Section Detail - Equipment Rail**  
 A3 SCALE: 1'-0"



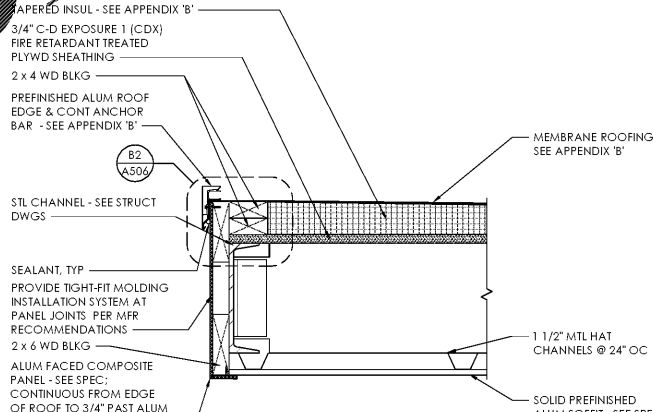
**Exterior Section Detail - Door Sill at Roof Enclosure**  
 D2 SCALE: 1 1/2" = 1'-0"



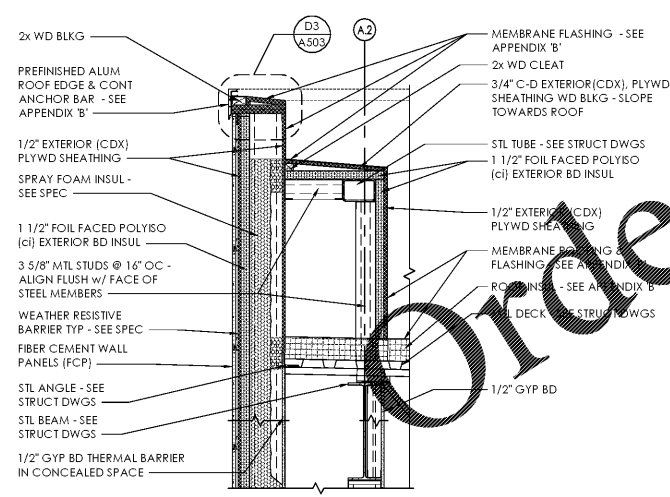
**Exterior Plan Detail - Brick at Metal Panel**  
 C2 SCALE: 1 1/2" = 1'-0"



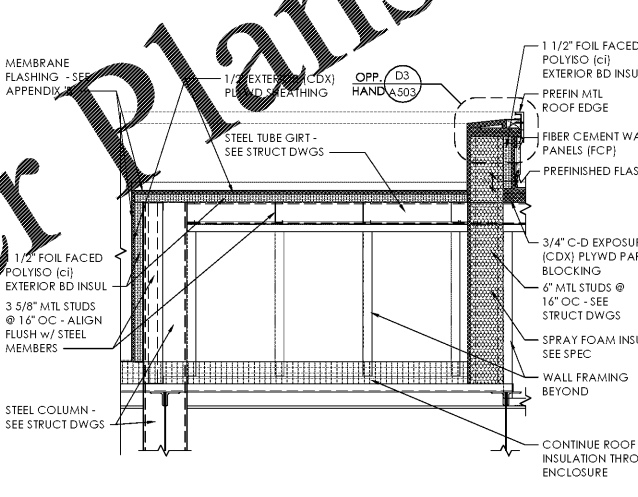
**Exterior Section Detail - Flashing at Canopy**  
 B2 SCALE: 6" = 1'-0"



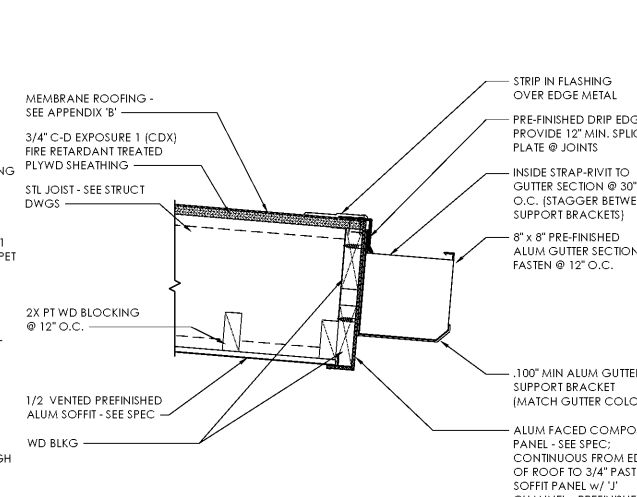
**Exterior Section Detail - Canopy Roof Edge**  
 A2 SCALE: 1 1/2" = 1'-0"



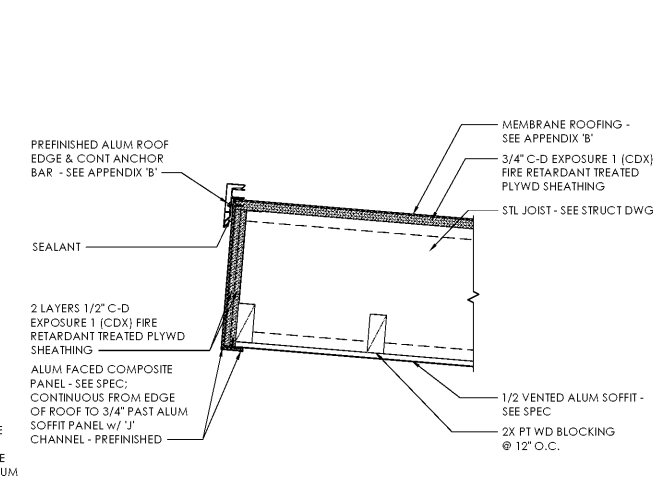
**Exterior Section Detail - Steel Enclosure at Roof**  
 D1 SCALE: 1 1/2" = 1'-0"



**Exterior Section Detail - Steel Enclosure at Roof**  
 C1 SCALE: 1 1/2" = 1'-0"



**Exterior Section Detail - High Roof Edge at Gutter**  
 B1 SCALE: 1 1/2" = 1'-0"



**Exterior Section Detail - High Roof Edge**  
 A1 SCALE: 1 1/2" = 1'-0"

Issued:	Date:
A Client Review Set	05/07/19
B Permit Set	06/12/19
C Client Review Set	02/07/20
D Bid Set	02/10/20
Revisions:	Date:

**DO NOT SCALE PLANS**  
 Copying, Printing, Software and other processes required to produce these prints can stretch or shrink the actual paper or layout. Therefore, scaling of this drawing may be inaccurate. Contact us for any need for additional dimensions or clarifications.

**ms consultants, inc.**  
 engineers, architects, planners  
 5444 Wade Park Blvd.  
 Suite 160  
 Raleigh, NC 27607-4299  
 phone 919.772.5565  
 fax 919.779.2308

DRAWN BY:	KKL
REVIEWED BY:	NAL

Seal  
 PROFESSIONAL OF RECORD:  
 CHARLES M. BUSCH No. 14751  
 EXP. DATE: 06/30/2020

**ALDI Inc.**  
 1985 Old Union Church Road  
 Salisbury, NC 28146  
 (704) 642-0000  
 (704) 642-0078 fax

**ALDI Inc. Store #: 154**  
**Cornelius, NC**  
 20101 West Catawba Avenue  
 Cornelius, NC 28031  
 Mecklenburg County  
 Project Name & Location:

<b>Exterior Details</b>	
Drawing Name:	
Prototype Rls. 12/10/18	Project No. 40452-07
Type: LHSD-V8ER	
	A-506
Scale: As Noted	Drawing No.

Order plans @

WWW.LDILLINE.COM