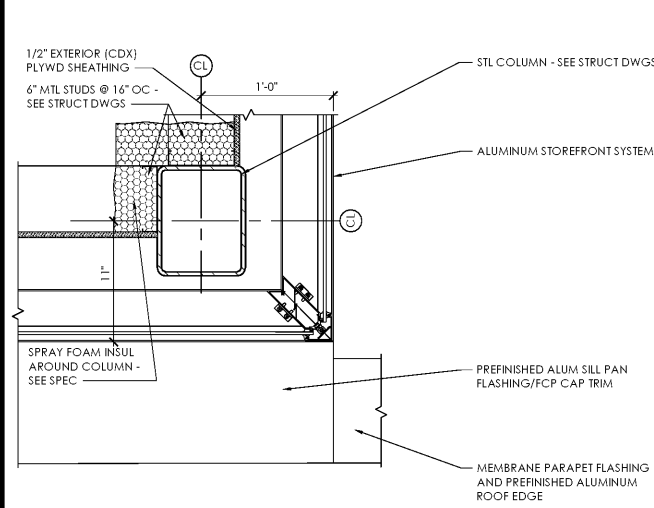
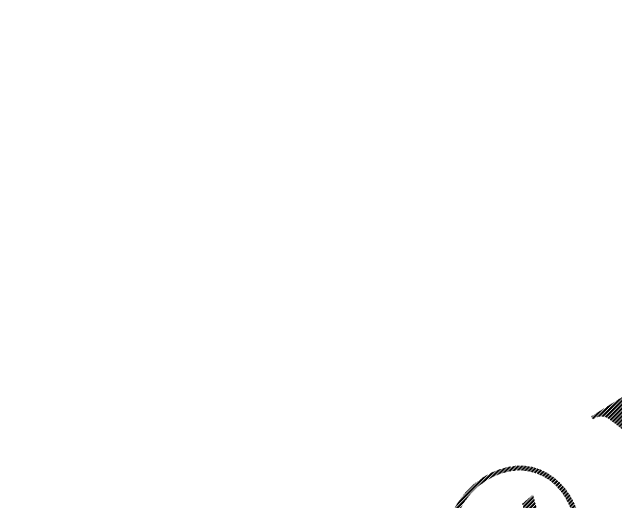


**D3** Exterior Plan Detail - Vertical Message Tower Above Roof  
SCALE: 1 1/2" = 1'-0"

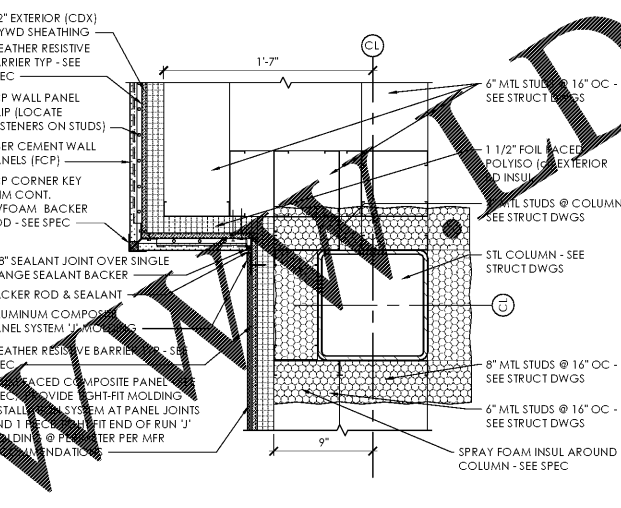
**C3** Exterior Plan Detail - Vertical Message Tower Above Roof  
SCALE: 1 1/2" = 1'-0"



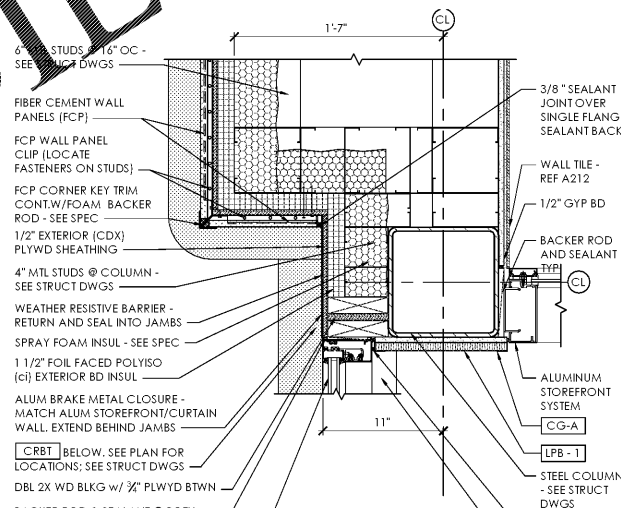
**D2** Exterior Plan Detail - Storefront at Outside Corner  
SCALE: 1 1/2" = 1'-0"



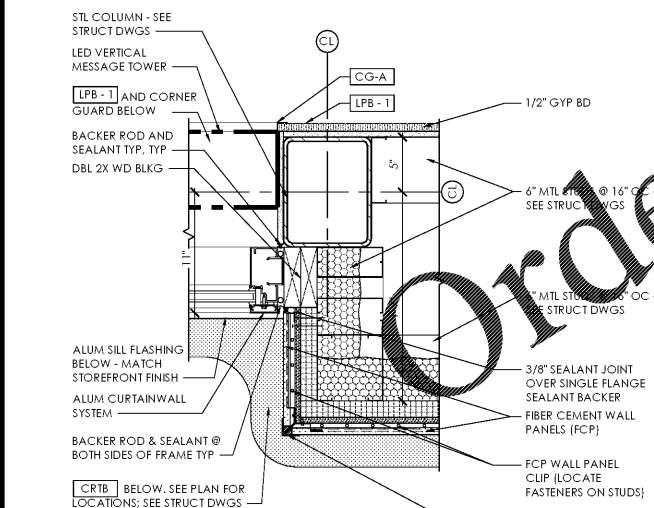
**C1** Exterior Plan Detail - Vertical Message Tower  
SCALE: 1 1/2" = 1'-0"



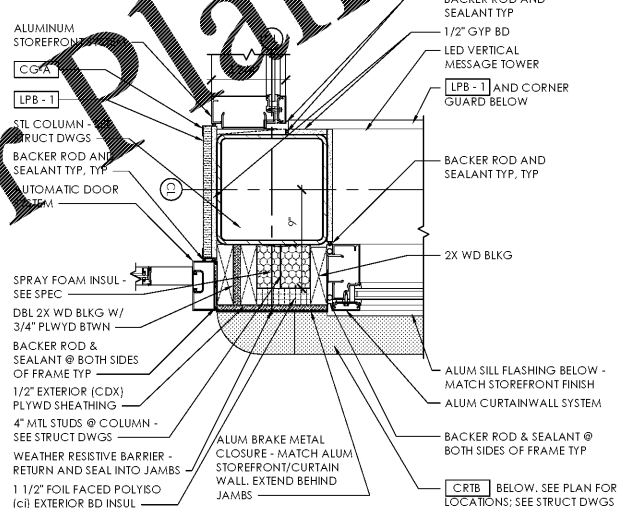
**B2** Exterior Plan Detail - Alum Comp Panel / FCP Transition  
SCALE: 1 1/2" = 1'-0"



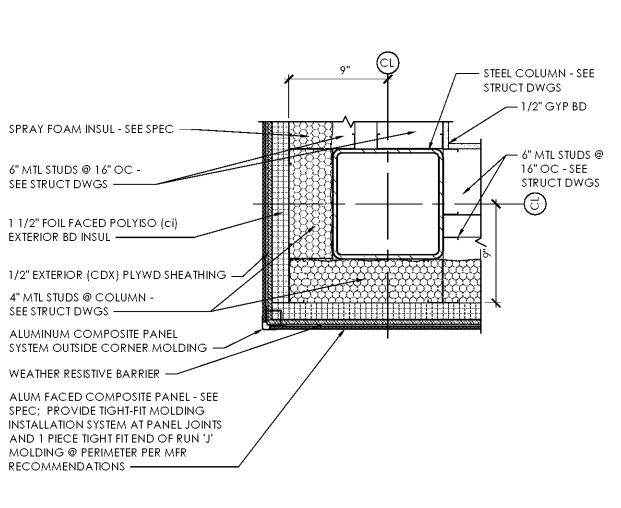
**A3** Exterior Detail - Parapet Vent  
SCALE: N.T.S.



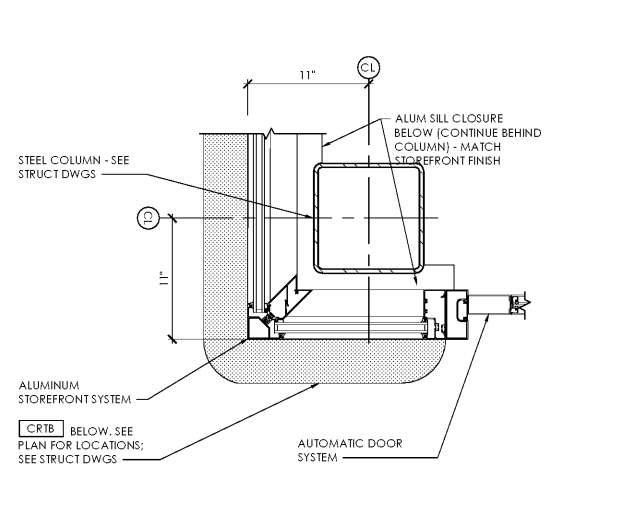
**D1** Exterior Plan Detail - Vertical Message Tower  
SCALE: 1 1/2" = 1'-0"



**C1** Exterior Plan Detail - Vertical Message Tower  
SCALE: 1 1/2" = 1'-0"



**B1** Exterior Plan Detail - Outside Corner at Alum Comp Panel  
SCALE: 1 1/2" = 1'-0"



**A1** Exterior Plan Detail - Storefront Corner at Vestibule  
SCALE: 1 1/2" = 1'-0"

NOTE 1: PROVIDE A 14 X 10-INCH OPENING IN PARAPET WALL \* HEIGHT FROM TOP OF PARAPET DEPENDENT ON WALL ASSEMBLY.  
NOTE 2: INSTALL FULLY ADHERED WALL FLASHING.  
NOTE 3: CUT THE PARAPET WALL FLASHING THAT COVERS THE PRECUT OPENING AND FOLD MATERIAL TO THE INSIDE OF THE OPENING AND HOLD INSIDE ONLY.  
NOTE 4: INSTALL THE WALL VENT OVER OPENINGS AND FASTEN THE METAL FLANGES WITH THE PRE-PUNCHED HOLES. MINIMUM OF TWO PER SIDE.  
NOTE 5: WELD THE 6-INCH SKIRT COMPLETELY ON ALL EDGES TO PARAPET WALL FLASHING.

Issued:	Date:
A Client Review Set	05/07/19
B Permit Set	06/12/19
C Client Review Set	02/07/20
D Bid Set	02/10/20
Revisions:	Date:

**DO NOT SCALE PLANS**  
Copying, Printing, Software and other processes required to produce these prints can stretch or shrink the actual paper or layout. Therefore, scaling of this drawing may be inaccurate. Contact your consultants with any need for additional dimensions or clarifications.

**ms consultants, inc.**  
engineers, architects, planners  
5444 Wade Park Blvd.  
Suite 160  
Raleigh, NC 27607-4299  
phone 919.772.5565  
fax 919.779.2308

DRAWN BY: KKL  
REVIEWED BY: NAL

Seal  
PROFESSIONAL OF RECORD:  
CHARLES M. BUSCH No. 14751  
EXP. DATE: 06/30/2020

**ALDI Inc.**  
1985 Old Union Church Road  
Salisbury, NC 28146  
(704) 642-0000  
(704) 642-0078 fax

ALDI Inc. Store #: 154  
Cornelius, NC  
20101 West Catawba Avenue  
Cornelius, NC 28031  
Mecklenburg County  
Project Name & Location:

Exterior Details Drawing Name:	
Prototype Rls. 12/10/18	Project No. 40452-07
Type: LHSD-V8ER	
	A-505
Scale: As Noted	Drawing No.

PLOTTED: 2/10/2020 9:30 AM