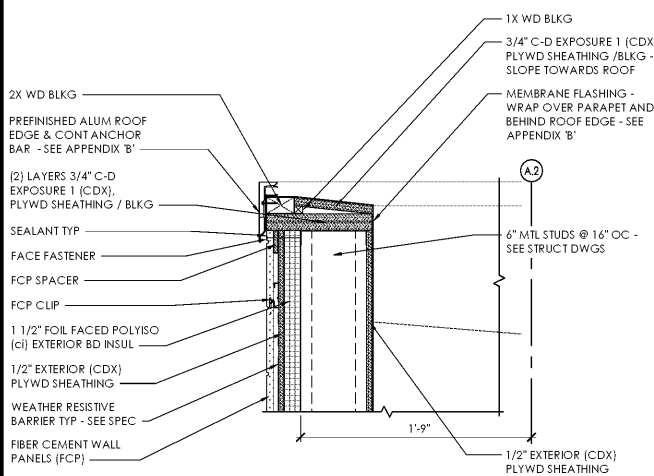
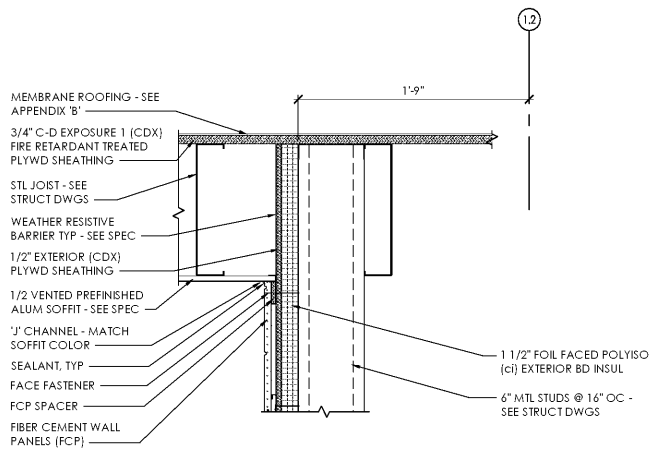


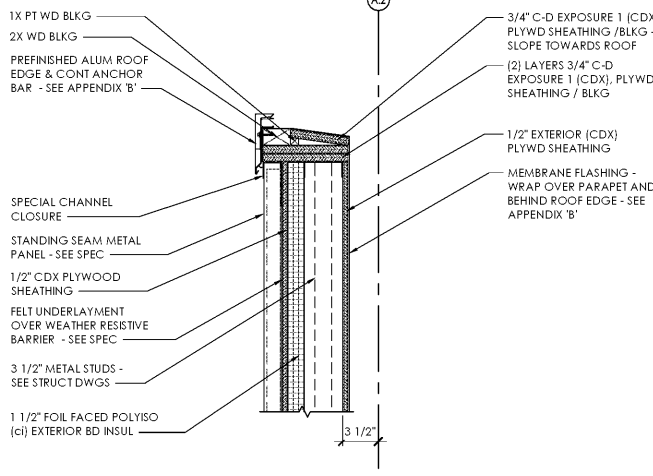
PLOTTED: 2/10/2020 10:56 AM



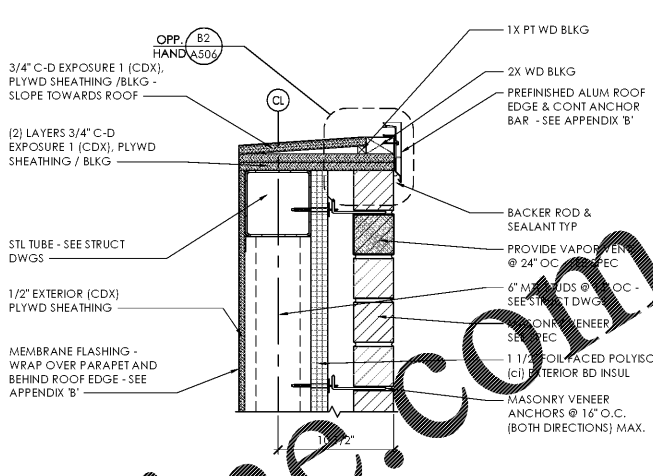
**D3** Exterior Section Detail - Fiber Cement Wall Panel Parapet  
SCALE: 1 1/2" = 1'-0"



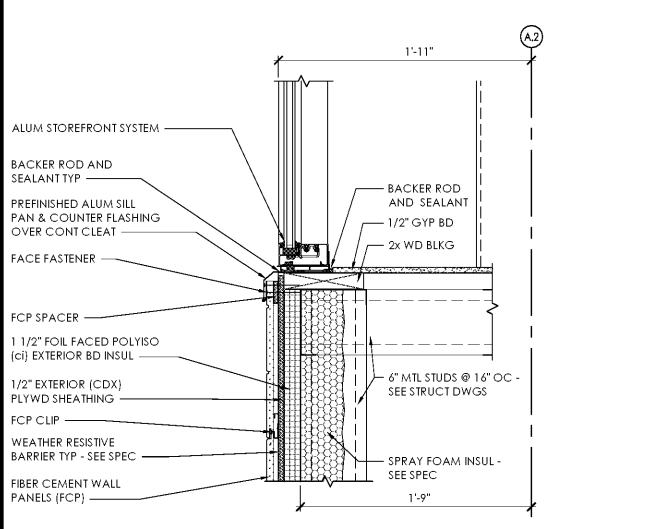
**C3** Exterior Detail - Fiber Cement Wall Pnl at Overhang  
SCALE: 1 1/2" = 1'-0"



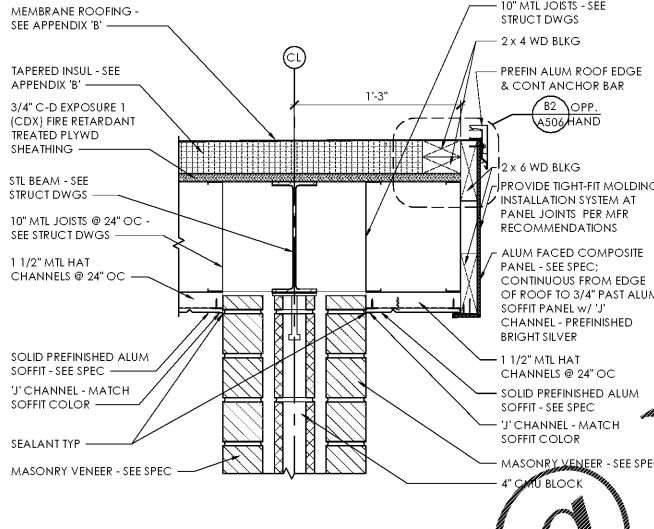
**B3** Exterior Detail - Upper Wall Finish  
SCALE: 1 1/2" = 1'-0"



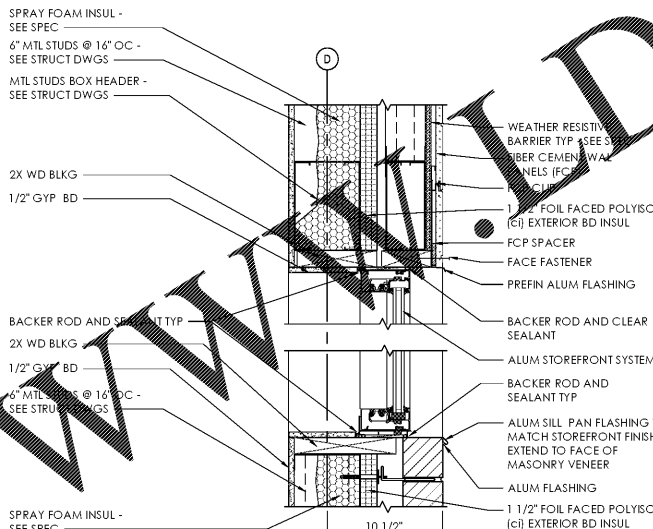
**B3** Exterior Detail - Masonry Parapet  
SCALE: 1 1/2" = 1'-0"



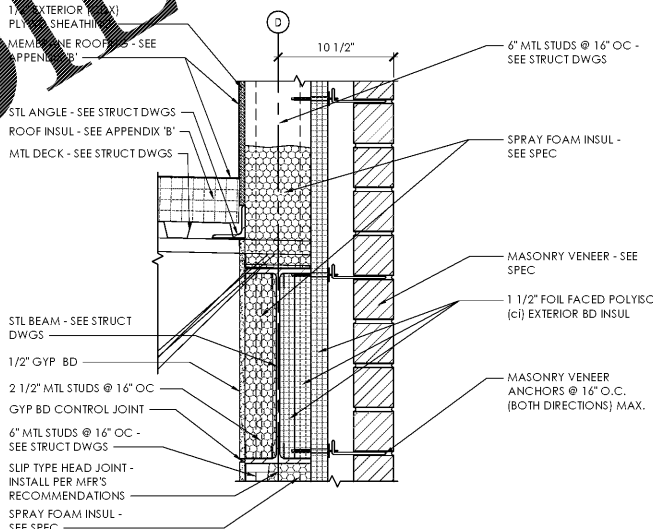
**D2** Exterior Section Detail - Storefront Sill  
SCALE: 1 1/2" = 1'-0"



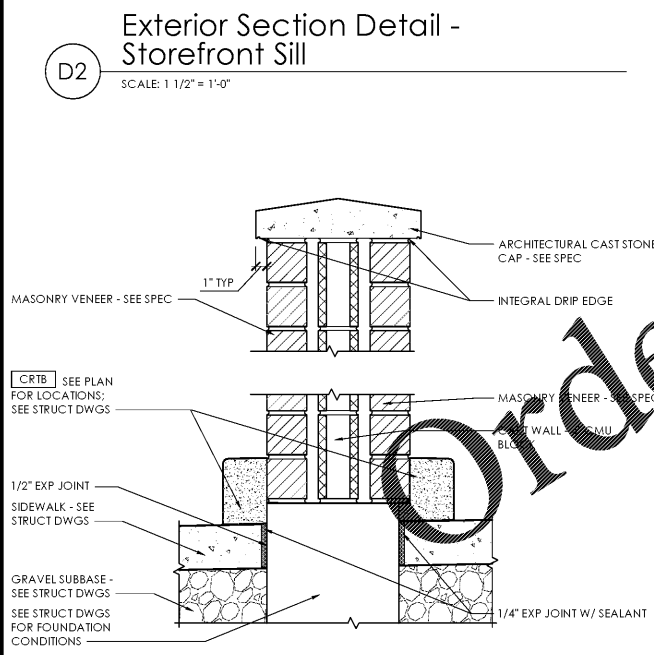
**C2** Exterior Section Detail - Cart Storage End Wall Roof Edge  
SCALE: 1 1/2" = 1'-0"



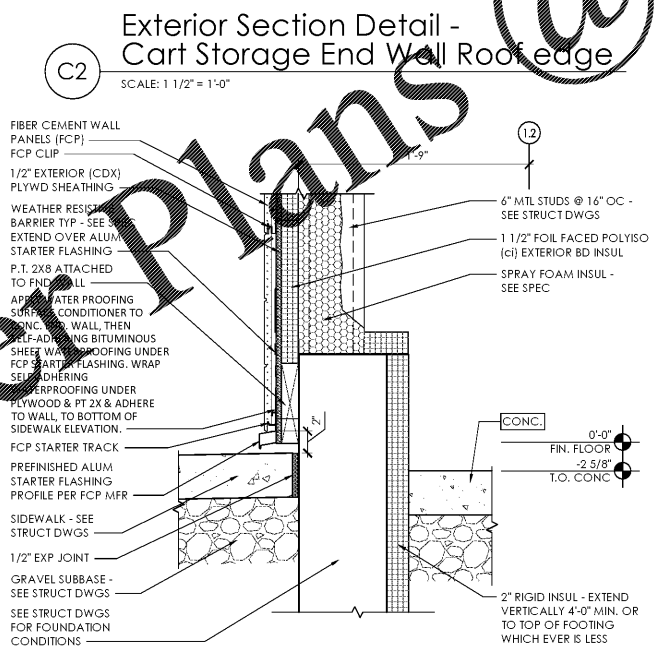
**B2** Exterior Section Detail - Storefront Window Head & Sill  
SCALE: 1 1/2" = 1'-0"



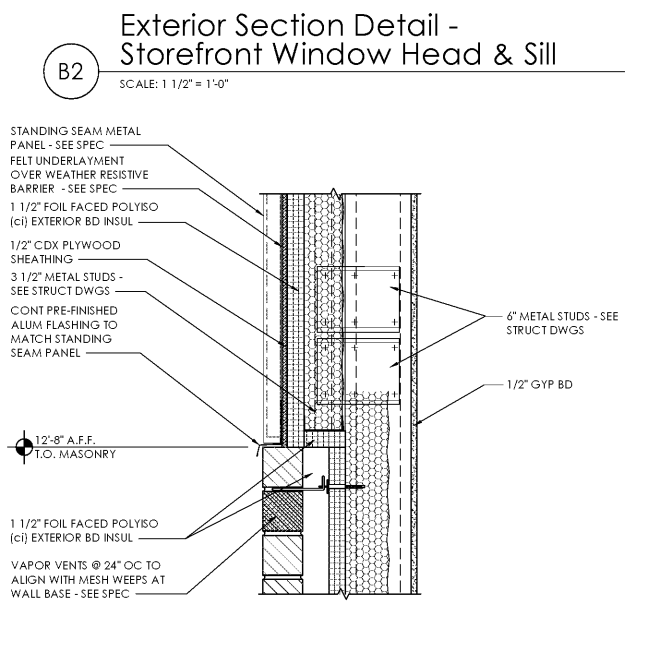
**A2** Exterior Section Detail - Low Joist Bearing  
SCALE: 1 1/2" = 1'-0"



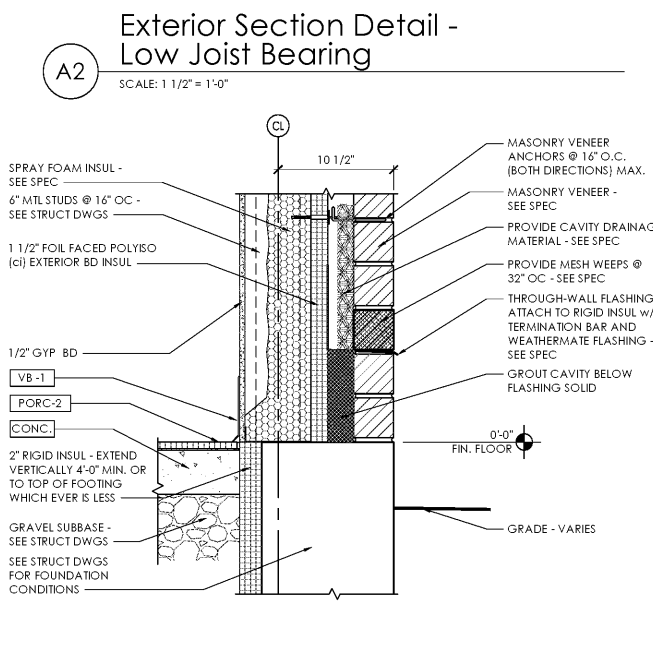
**D1** Exterior Section Detail - Cart Wall  
SCALE: 1 1/2" = 1'-0"



**C1** Exterior Section Detail - Fiber Cement Wall Panel Base  
SCALE: 1 1/2" = 1'-0"



**B1** Exterior Section Detail - Brick Transition at Upper Wall Finish  
SCALE: 1 1/2" = 1'-0"



**A1** Exterior Section Detail - Masonry Veneer Wall Base  
SCALE: 1 1/2" = 1'-0"

Issued:	Date:
A Client Review Set	05/07/19
B Permit Set	06/12/19
C Client Review Set	02/07/20
D Bid Set	02/10/20
Revisions:	Date:

**DO NOT SCALE PLANS**  
Copying, Printing, Software and other processes required to produce these prints can stretch or shrink the actual paper or layout. Therefore, scaling of this drawing may be inaccurate. Contact our consultants with any need for additional dimensions or clarifications.

**ms consultants, inc.**  
engineers, architects, planners  
5444 Wade Park Blvd.  
Suite 160  
Raleigh, NC 27607-4299  
phone 919.772.5565  
fax 919.779.2308

DRAWN BY:	KKL
REVIEWED BY:	NAL

Seal  
PROFESSIONAL OF RECORD:  
CHARLES M. BUSCH NO. 14751  
EXP. DATE: 06/30/2020

**ALDI Inc.**  
1985 Old Union Church Road  
Salisbury, NC 28146  
(704) 642-0099  
(704) 642-0078 fax

**ALDI Inc.** Store #: 154  
Cornelius, NC  
20101 West Catawba Avenue  
Cornelius, NC 28031  
Mecklenburg County  
Project Name & Location:

Exterior Details	
Drawing Name:	
Prototype Rls. 12/10/18	Project No. 40452-07
Type: LHSD-V8ER	
	A-503
Scale: As Noted	Drawing No.

Order Plans @

WWW.DLINE.COM