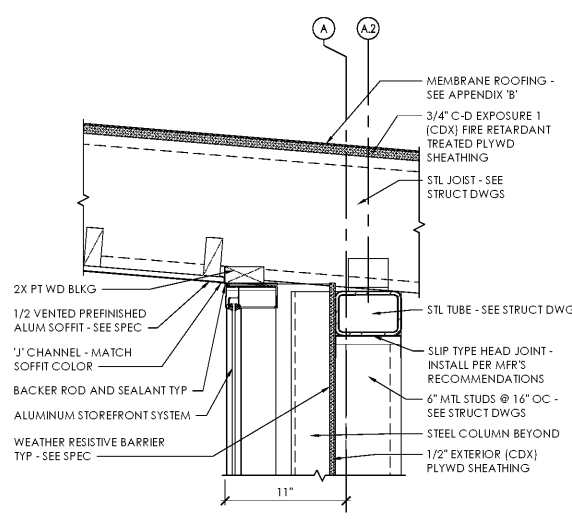
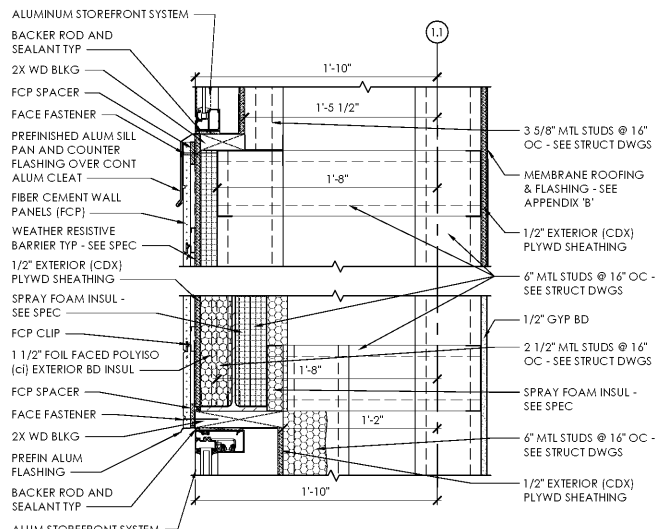


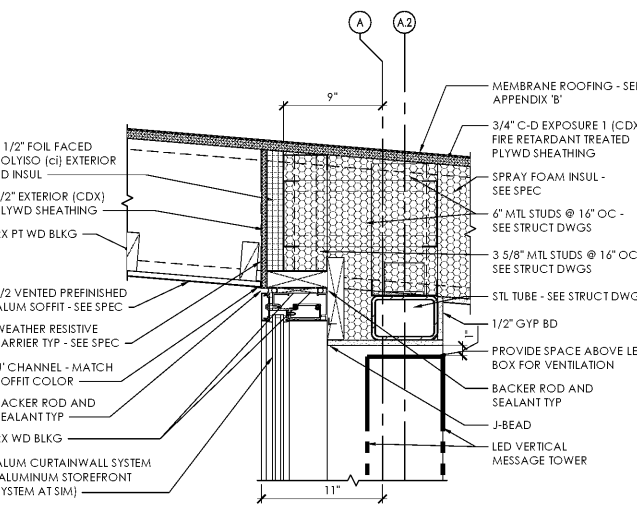
PLOTTED: 2/10/2020 9:26 AM



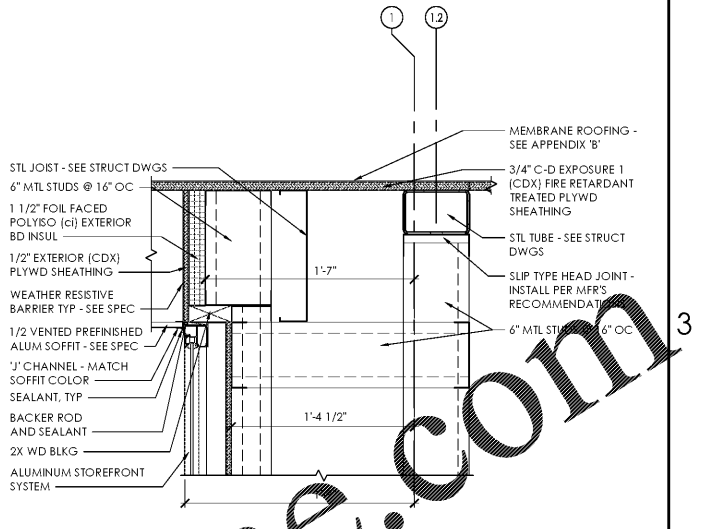
D3 Exterior Section Detail - Spandrel Head at Long Wall
SCALE: 1 1/2" = 1'-0"



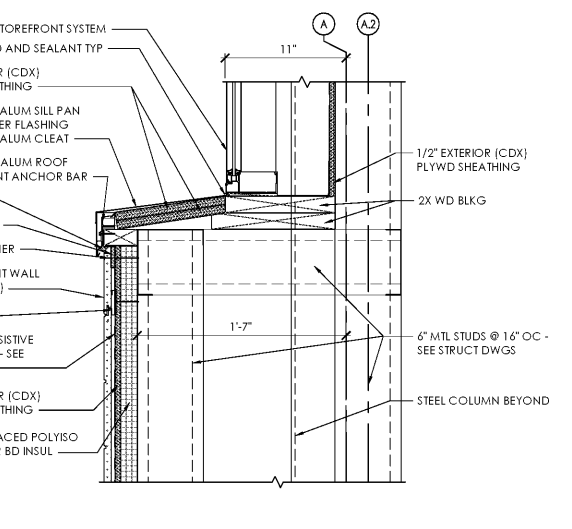
C3 Exterior Section Detail - Spandrel Sill/Spandrel Head
SCALE: 1 1/2" = 1'-0"



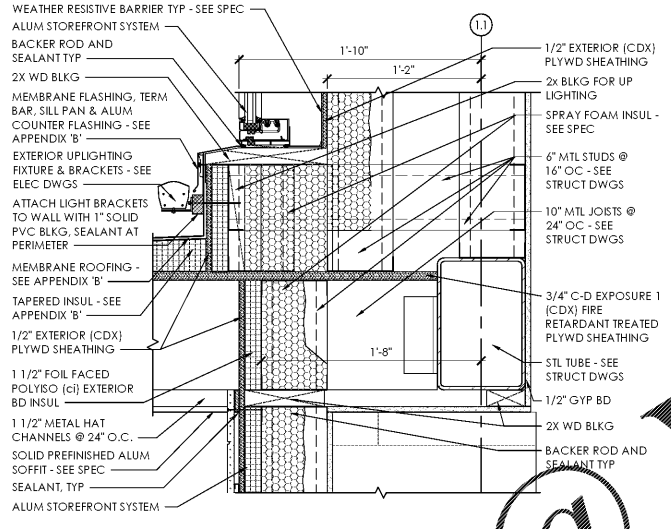
B3 Exterior Section Detail - Vertical Message Tower Head
SCALE: 1 1/2" = 1'-0"



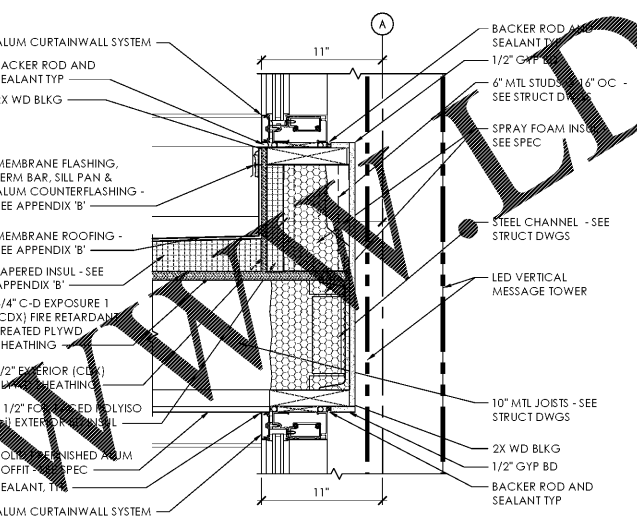
3 Exterior Section Detail - Spandrel Head
SCALE: 1 1/2" = 1'-0"



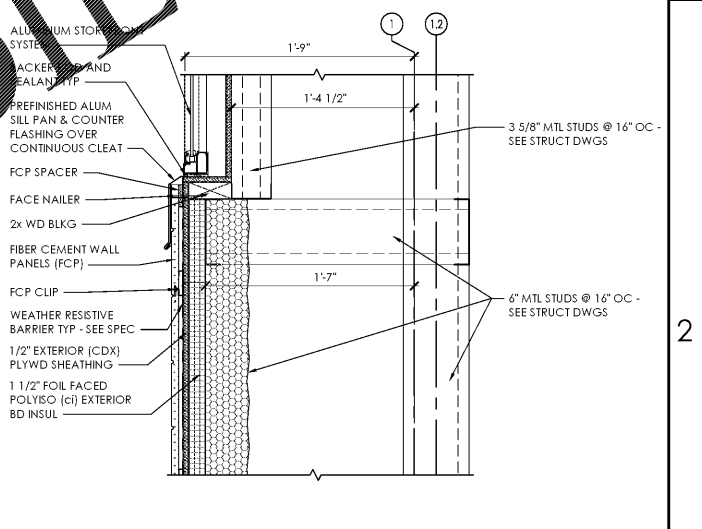
D2 Exterior Section Detail - Spandrel Sill at Long Wall
SCALE: 1 1/2" = 1'-0"



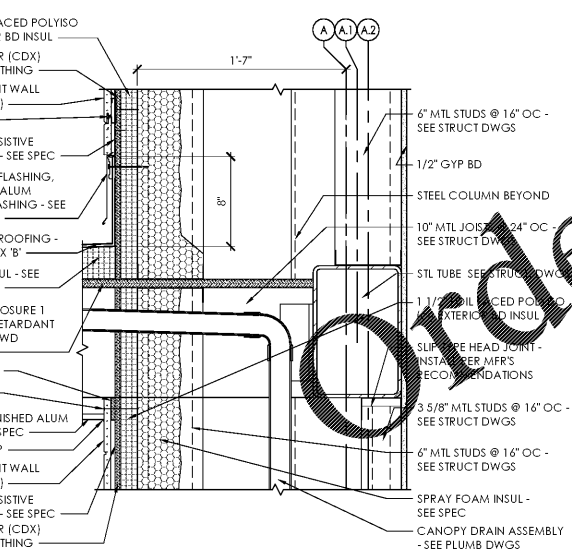
C2 Exterior Section Detail - Canopy Roof at Storefront/Spandrel
SCALE: 1 1/2" = 1'-0"



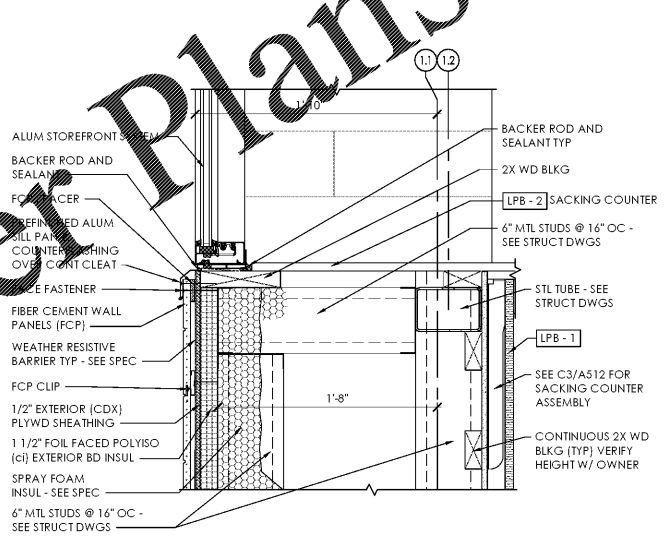
B2 Exterior Section Detail - Vertical Message Tower Head & Sill
SCALE: 1 1/2" = 1'-0"



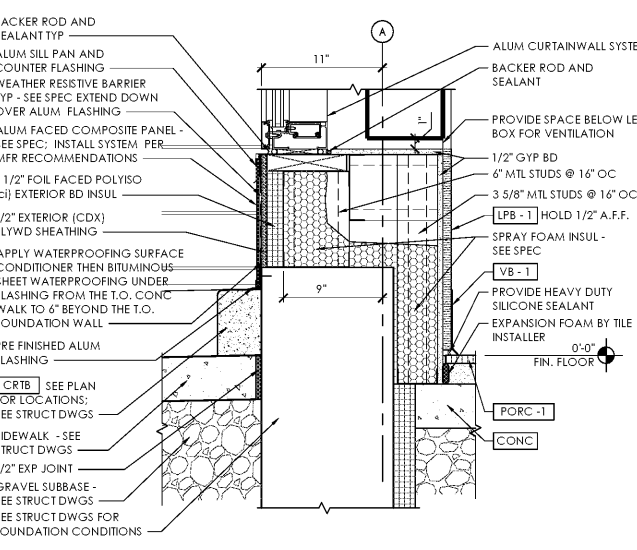
A2 Exterior Section Detail - Spandrel Sill
SCALE: 1 1/2" = 1'-0"



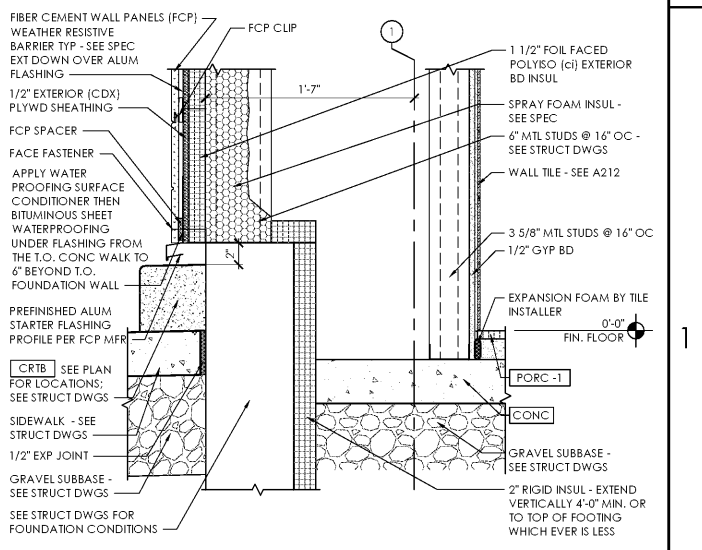
D1 Exterior Section Detail - Canopy Roof at Fiber Cement Panel
SCALE: 1 1/2" = 1'-0"



C1 Exterior Section Detail - Storefront Sill at Sacking Counter
SCALE: 1 1/2" = 1'-0"



B1 Exterior Section Detail - Vertical Message Tower Sill
SCALE: 1 1/2" = 1'-0"



A1 Exterior Section Detail - Fiber Cement Wall Pnl Base at Curb
SCALE: 1 1/2" = 1'-0"

Issued:	Date:
A Client Review Set	05/07/19
B Permit Set	06/12/19
C Client Review Set	02/07/20
D Bid Set	02/10/20
Revisions:	Date:

DO NOT SCALE PLANS

Copying, Printing, Software and other processes required to produce these prints can stretch or shrink the actual paper or layout. Therefore, scaling of this drawing may be inaccurate. Contact m's consultants with any need for additional dimensions or clarifications.

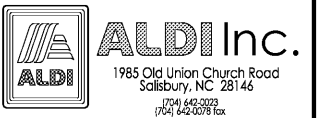


ms consultants, inc.
engineers, architects, planners
5444 Wade Park Blvd.
Suite 160
Raleigh, NC 27607-4299
phone 919.772.5565
fax 919.779.2308

DRAWN BY:	KKL
REVIEWED BY:	NAL

Seal

PROFESSIONAL OF RECORD:
CHARLES M. BUSCH No. 14751
EXP. DATE: 06/30/2020



ALDI Inc.
1985 Old Union Church Road
Salisbury, NC 28146
(704) 642-0000
(704) 642-0078 fax

ALDI Inc. Store #: 154
Cornelius, NC
20101 West Catawba Avenue
Cornelius, NC 28031
Mecklenburg County
Project Name & Location:

Exterior Details Drawing Name:	Project No.
Prototype Rls. 12/10/18	40452-07
Type: LHSD-V8ER	A-502
Scale: As Noted	Drawing No.