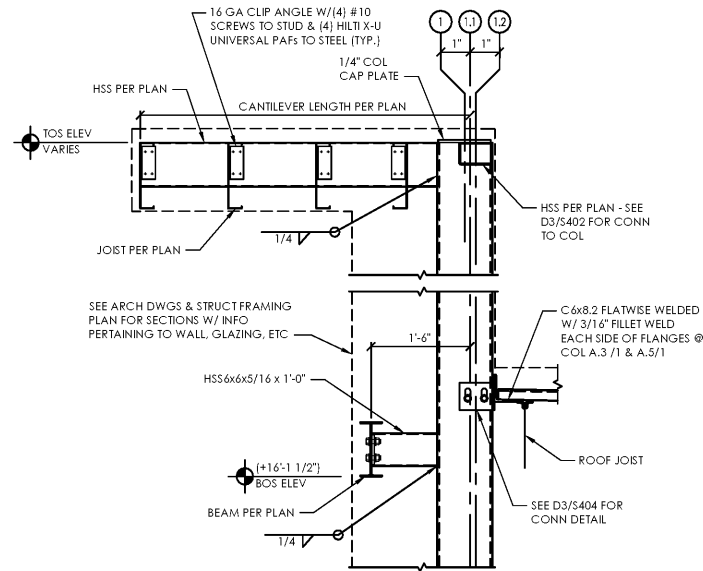
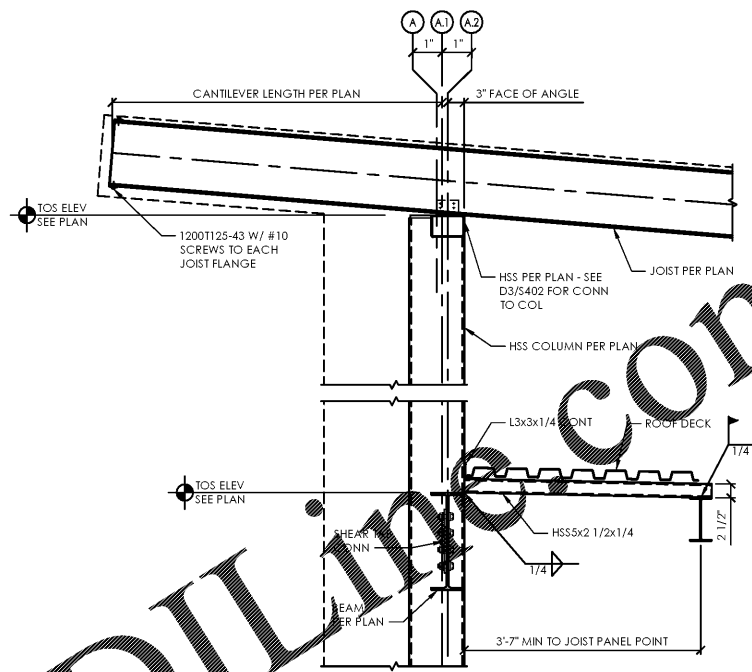


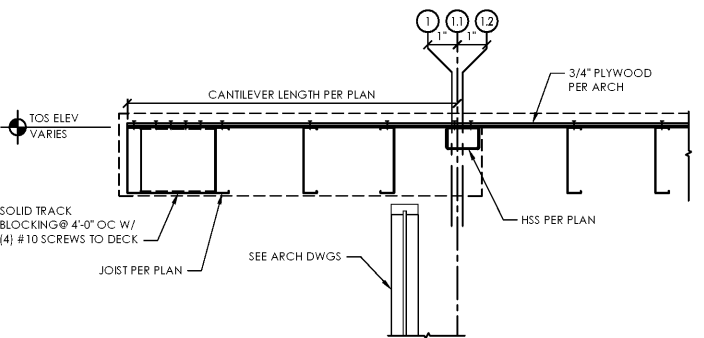
D3 Section
SCALE: 3/4" = 1'-0"



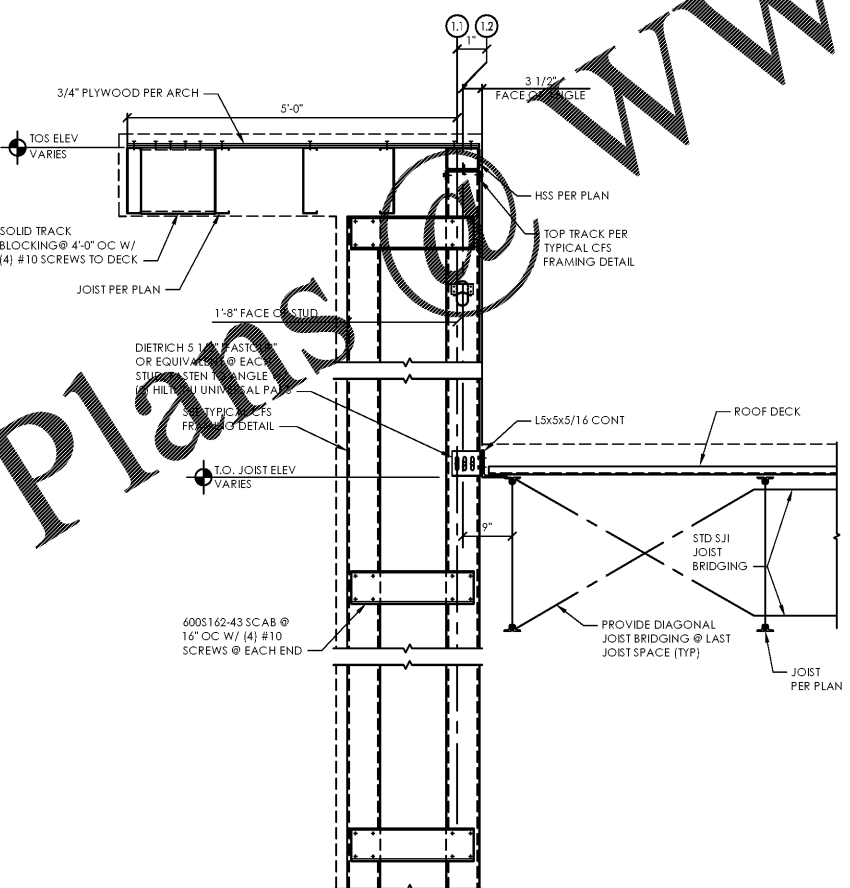
C3 Section
SCALE: 3/4" = 1'-0"



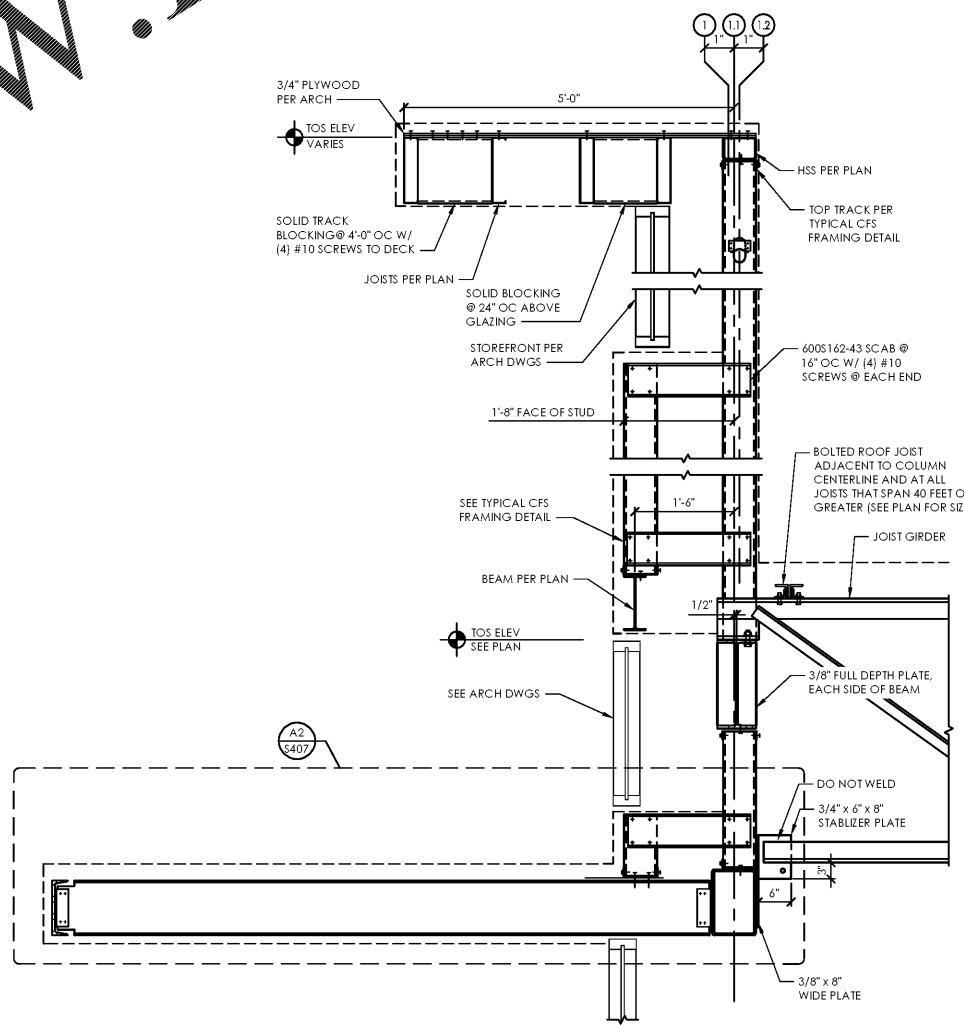
A3 Section
SCALE: 3/4" = 1'-0"



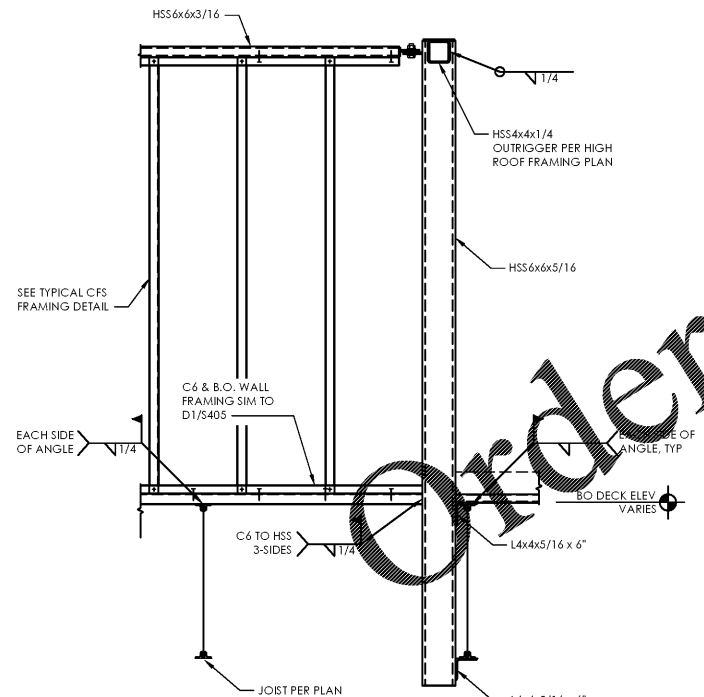
D2 Section
SCALE: 3/4" = 1'-0"



C1 Section
SCALE: 3/4" = 1'-0"



A1 Section
SCALE: 3/4" = 1'-0"

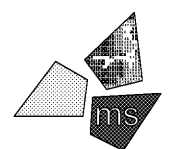


D1 Section
SCALE: 3/4" = 1'-0"

Issued:	Date:
A Client Review Set	05/07/19
B Permit Set	06/12/19
C Client Review Set	02/07/20
D Bid Set	02/10/20

Revisions:	Date:

DO NOT SCALE PLANS
Copying, Printing, Software and other processes required to produce these prints can stretch or shrink the actual paper or layout. Therefore, scaling of this drawing may be inaccurate. Contact the consultants with any need for additional dimensions or clarifications.



ms consultants, inc.
engineers, architects, planners
5444 Wade Park Blvd.
Suite 160
Raleigh, NC 27607-4299
phone 919.772.5565
fax 919.779.2308

DRAWN BY: CLS
REVIEWED BY: DMS/CJH

Seal
PROFESSIONAL OF RECORD:
CRAIG E. METZGER PE No. 044723
EXP. DATE: 12/31/19



ALDI Inc.
1985 Old Union Church Road
Salisbury, NC 28146
(704) 642-0002
(704) 642-0078 fax

ALDI Inc. Store #: 154
Cornelius, NC
20101 West Catawba Avenue
Cornelius, NC 28031
Mecklenburg County
Project Name & Location:

Steel Framing Sections & Details
Drawing Name:
Prototype Rls. 12/10/18
Type: LHSD-V8ER
Project No. 40452-07
S-406
Scale: As Noted Drawing No.

PLOTTED: 2/10/2020 9:11 AM