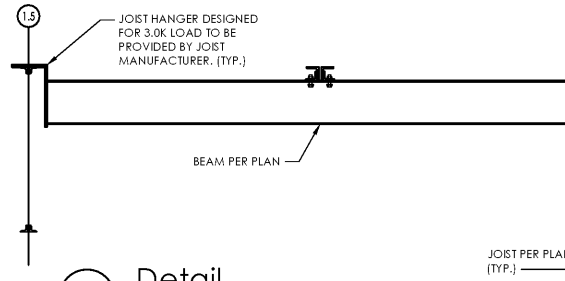
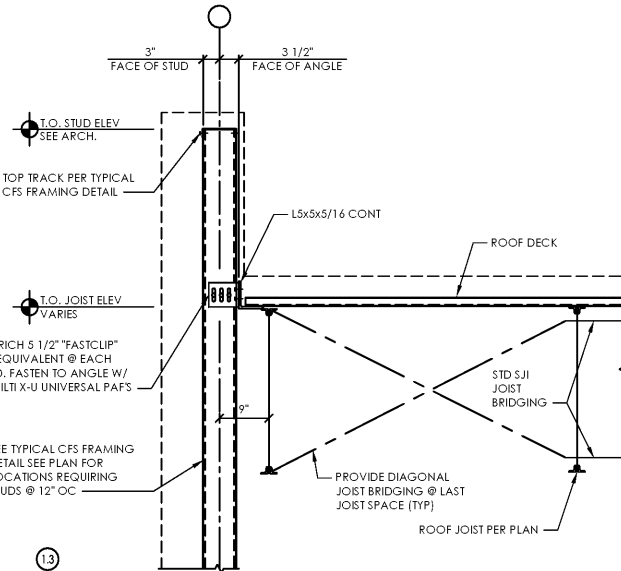


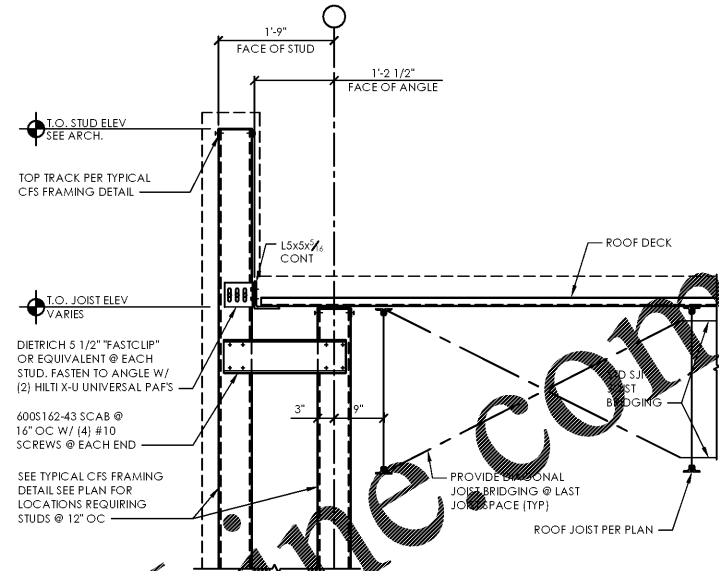
D3 Detail  
SCALE: 1 1/2" = 1'-0"



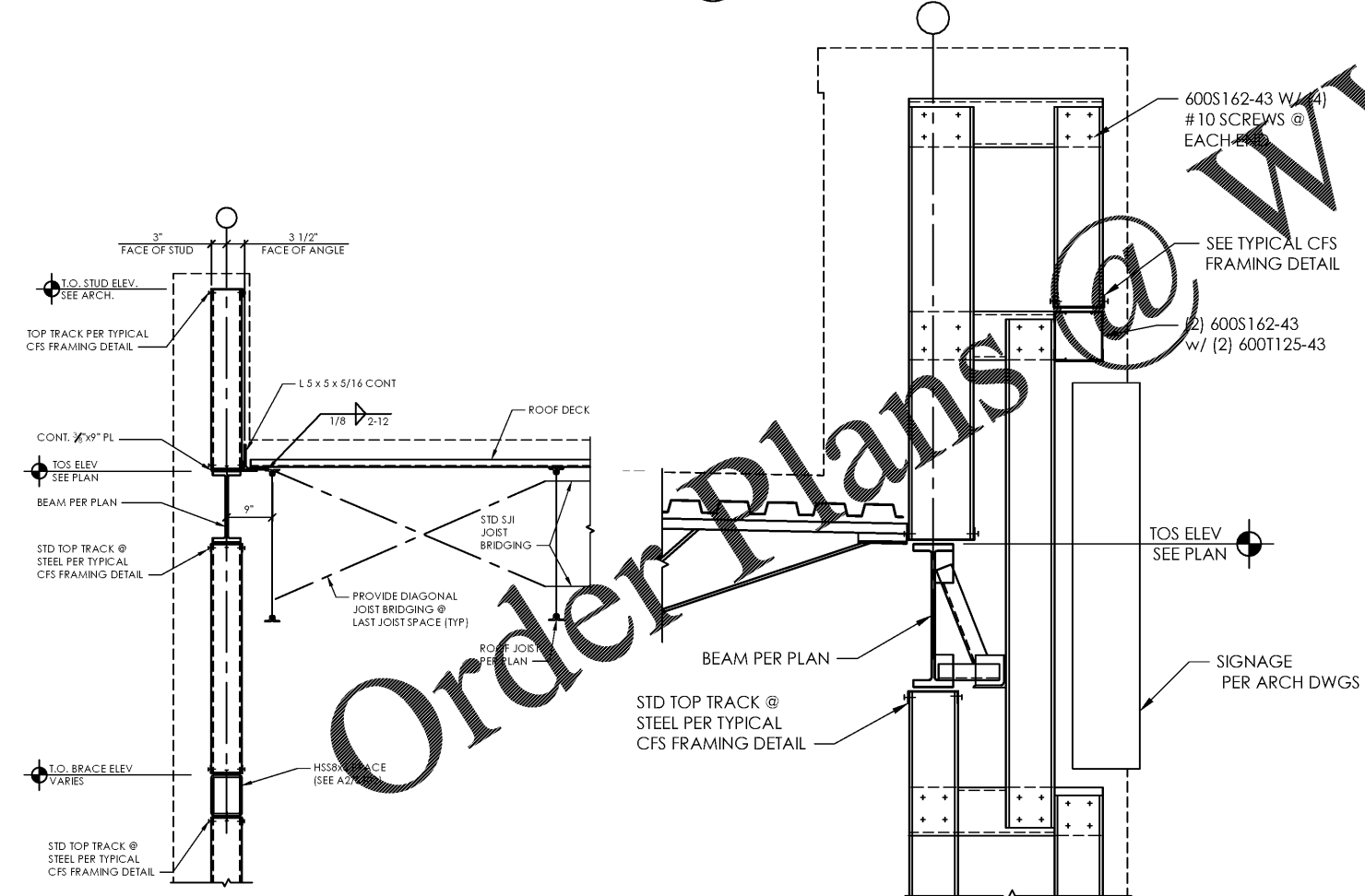
C2 Detail  
SCALE: 3/4" = 1'-0"



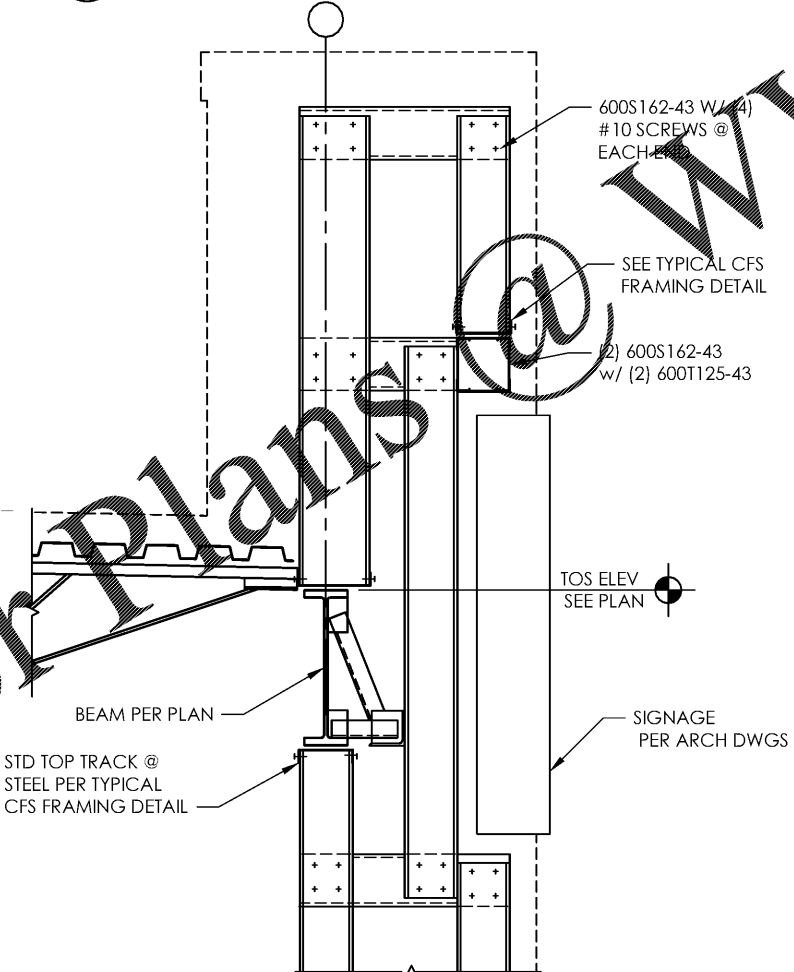
B3 Section  
SCALE: 3/4" = 1'-0"



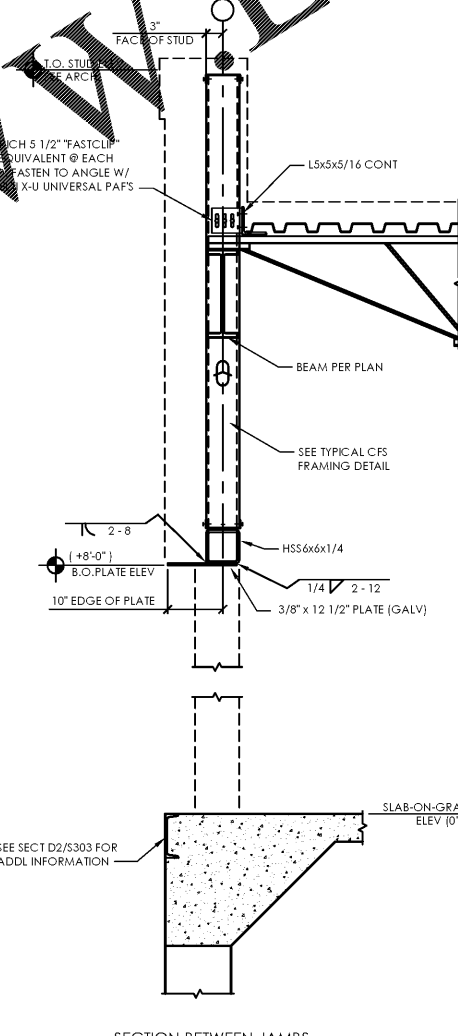
A3 Section  
SCALE: 3/4" = 1'-0"



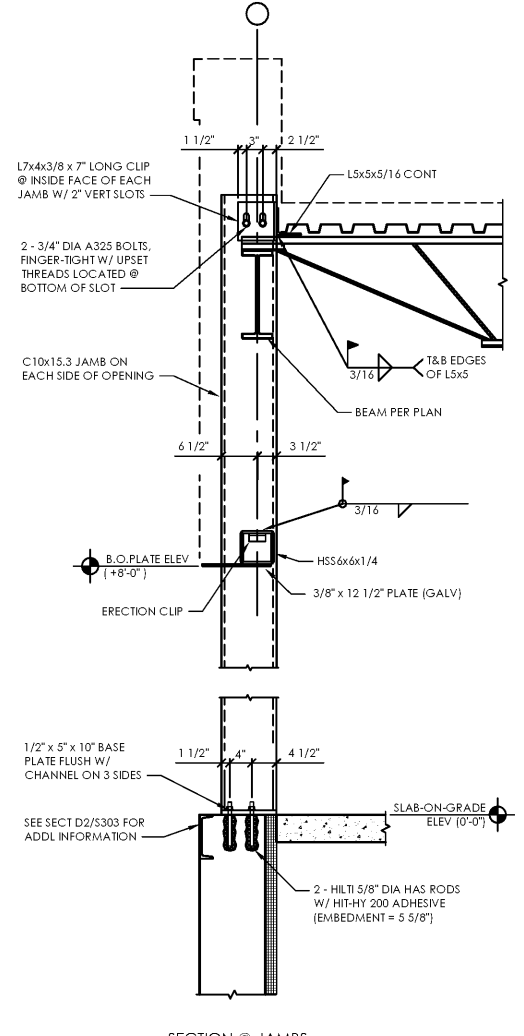
D1 Section  
SCALE: 3/4" = 1'-0"



C1 Section  
SCALE: 3/4" = 1'-0"



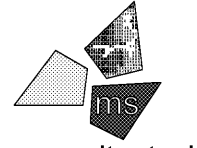
A1 Section  
SCALE: 3/4" = 1'-0"



A Section  
SCALE: 3/4" = 1'-0"

Issued:	Date:
A Client Review Set	05/07/19
B Permit Set	06/12/19
C Client Review Set	02/07/20
D Bid Set	02/10/20
Revisions:	Date:

**DO NOT SCALE PLANS**  
Copying, Printing, Software and other processes required to produce these prints can stretch or shrink the actual paper or layout. Therefore, scaling of this drawing may be inaccurate. Contact us consultants with any need for additional dimensions or clarifications.



**ms consultants, inc.**  
engineers, architects, planners  
5444 Wade Park Blvd.  
Suite 160  
Raleigh, NC 27607-4299  
phone 919.772.5565  
fax 919.779.2308

DRAWN BY: CLS  
REVIEWED BY: DMS/CJH

Seal  
PROFESSIONAL OF RECORD:  
CRAIG E. METZGER PE No. 044723  
EXP. DATE: 12/31/19



ALDI Inc. Store #: 154  
Cornelius, NC  
20101 West Catawba Avenue  
Cornelius, NC 28031  
Mecklenburg County  
Project Name & Location:

**Steel Framing Sections & Details**  
Drawing Name:  
Prototype Rls. 12/10/18  
Project No. 40452-07  
Type: LHSD-V8ER  
S-404  
Scale: As Noted  
Drawing No.

PLOTTED: 2/10/2020 9:11 AM