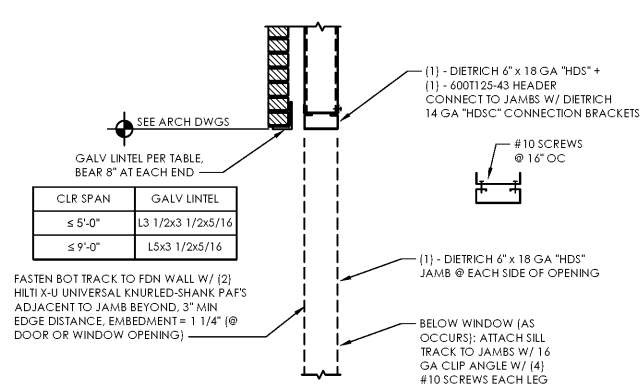
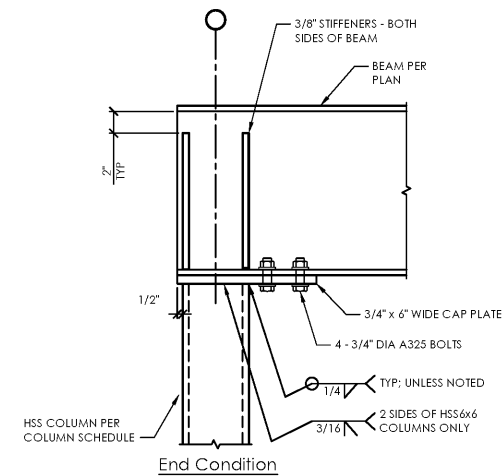


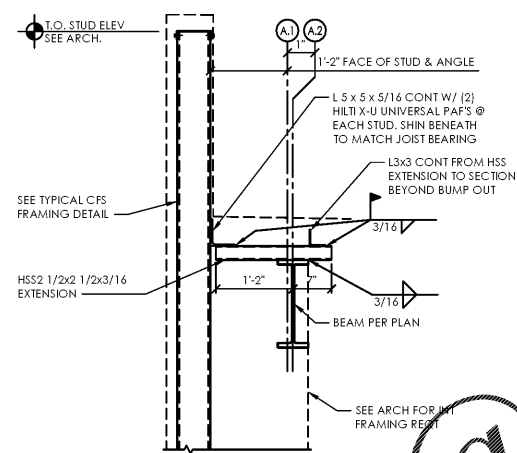
D3 Typical HSS Girt Connection Detail
SCALE: 1-1/2" = 1'-0"



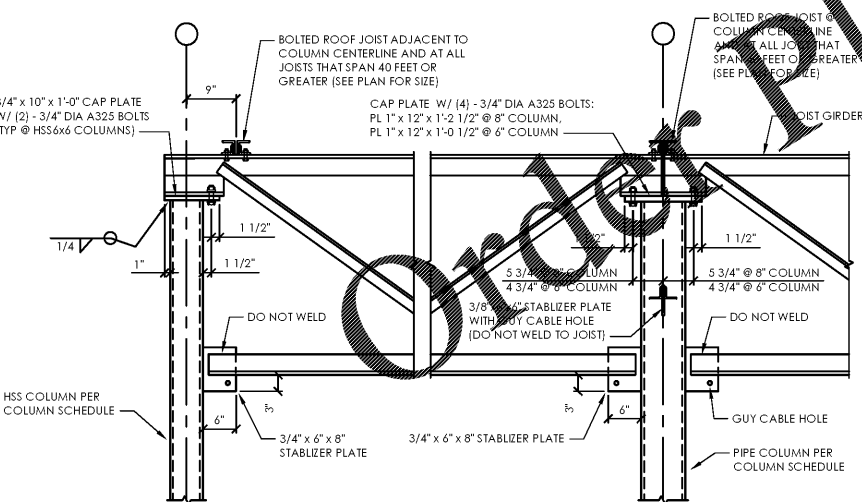
C3 Section @ Door or Window
SCALE: 3/4" = 1'-0"



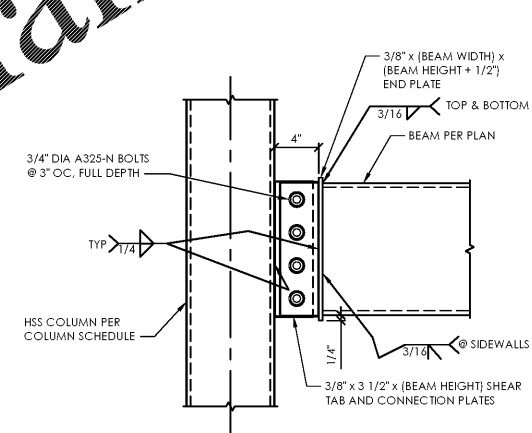
D2 Typical Beam-Over-Column Detail
SCALE: 1-1/2" = 1'-0"



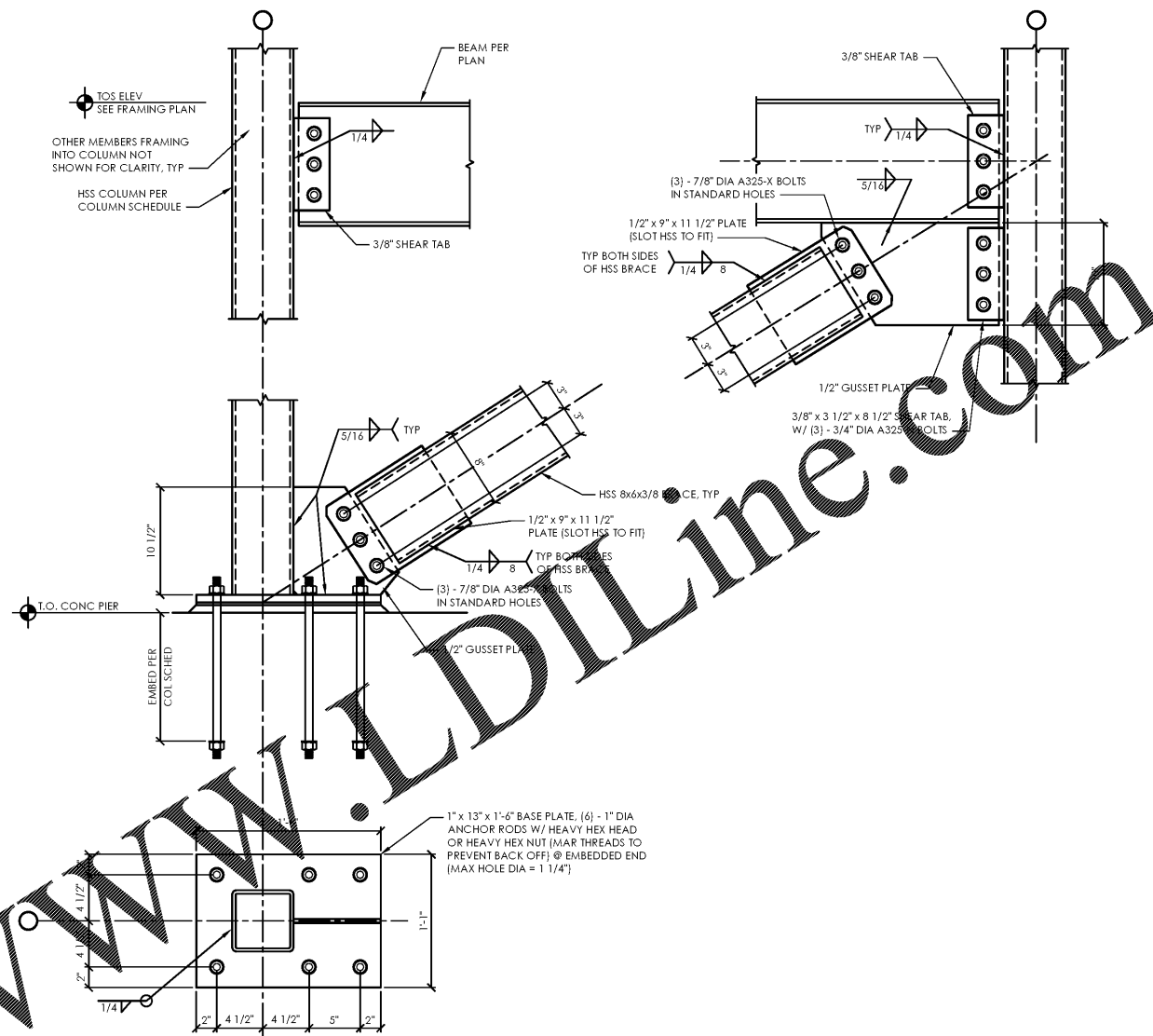
C2 Typical Framing @ Bump Out End
SCALE: 3/4" = 1'-0"



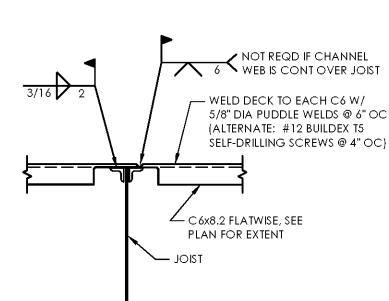
D1 Typical Joist Girder-Over-Column Detail
SCALE: 3/4" = 1'-0"



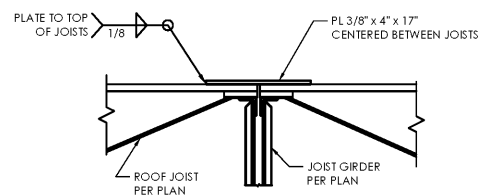
C1 Typical HSS Header Connection Detail
SCALE: 1-1/2" = 1'-0"



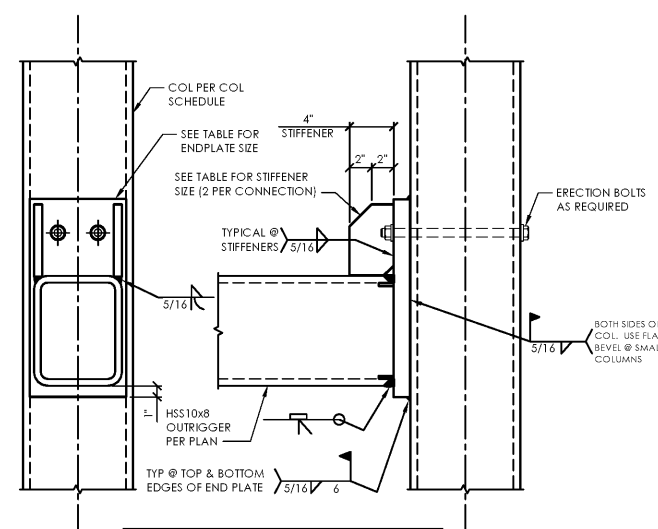
A2 Braced Bay Elevation & Detail
SCALE: 1-1/2" = 1'-0"



B2 Detail
SCALE: 1 1/2" = 1'-0"



B1 Detail
SCALE: 3/4" = 1'-0"



A1 HSS Outrigger Connection Detail
SCALE: 1-1/2" = 1'-0"

| OUTRIGGER SIZE | ENDPLATE DIMENSIONS | STIFFENER DIMENSIONS |
|------------------|-------------------------|----------------------|
| HSS 10 x 8 x 1/2 | 1 1/2" x 8 3/4" x 1'-8" | 1 3/4" x 4" x 6 1/2" |
| HSS 10 x 8 x 3/8 | 1 1/2" x 8 3/4" x 1'-6" | 1 1/8" x 4" x 6 1/2" |

| Issued: | Date: |
|---------------------|----------|
| A Client Review Set | 05/07/19 |
| B Permit Set | 06/12/19 |
| C Client Review Set | 02/07/20 |
| D Bid Set | 02/10/20 |
| Revisions: | Date: |
| | |
| | |
| | |
| | |
| | |
| | |
| | |

DO NOT SCALE PLANS
Copying, Printing, Software and other processes required to produce these prints can stretch or shrink the actual paper or layout. Therefore, scaling of this drawing may be inaccurate. Contact ms consultants with any need for additional dimensions or clarifications.

ms consultants, inc.
engineers, architects, planners
5444 Wade Park Blvd.
Suite 160
Raleigh, NC 27607-4299
phone 919.772.5565
fax 919.779.2308

DRAWN BY: CLS
REVIEWED BY: DMS/CJH

Seal
PROFESSIONAL OF RECORD:
CRAIG E. METZGER PE No. 044723
EXP. DATE: 12/31/19

ALDI Inc.
1985 Old Union Church Road
Salisbury, NC 28146
(704) 642-0000
(704) 642-0078 fax

ALDI Inc. Store #: 154
Cornelius, NC
20101 West Catawba Avenue
Cornelius, NC 28031
Mecklenburg County
Project Name & Location:

Steel Framing Sections & Details
Drawing Name:
Prototype Rls. 12/10/18 Project No. 40452-07
Type: LHSD-V8ER
S-402
Scale: As Noted Drawing No.

PLOTTED: 2/10/2020 9:11 AM