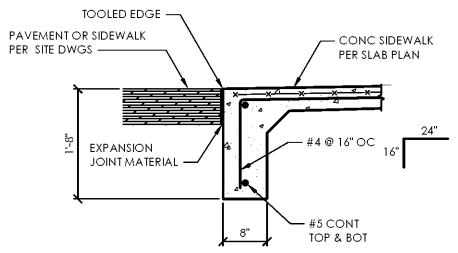
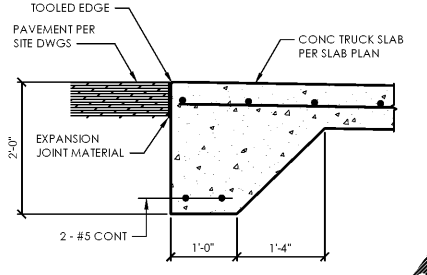


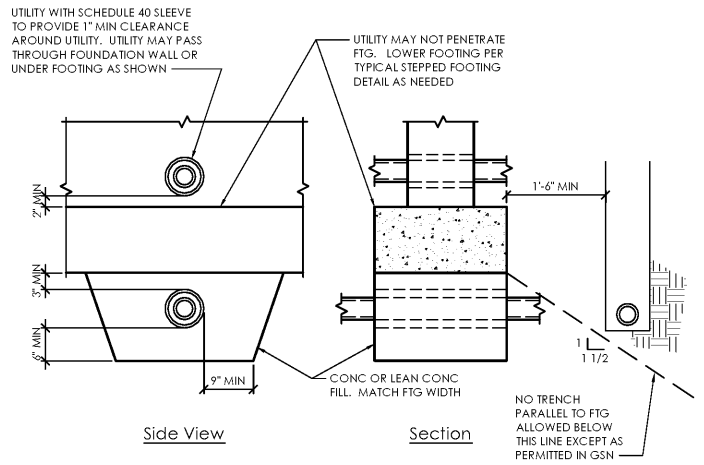
C3 Section
SCALE: 3/4" = 1'-0"



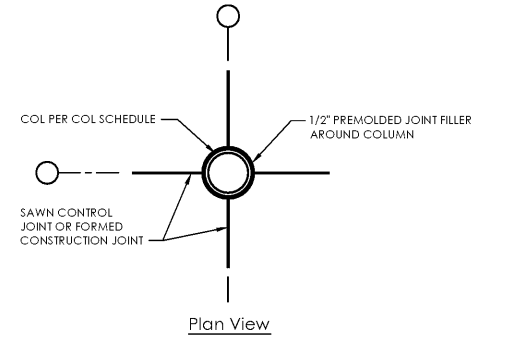
B3 Section
SCALE: 3/4" = 1'-0"



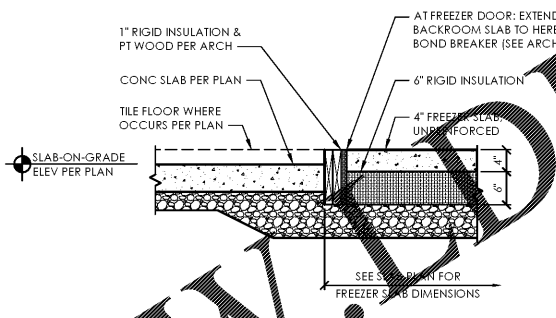
A3 Section
SCALE: 3/4" = 1'-0"



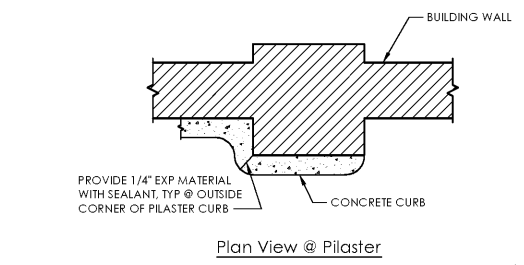
D2 Typical Utility Detail @ Continuous Footing
NO SCALE



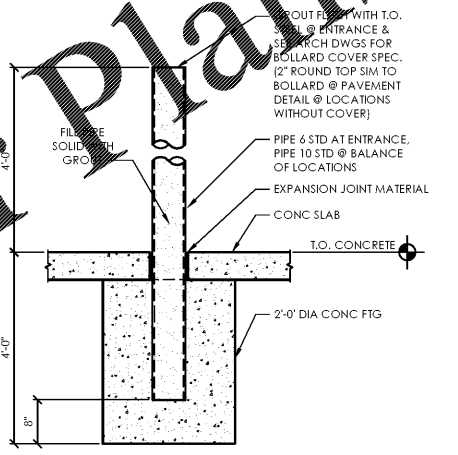
C2 Typical Interior Column Detail
NO SCALE



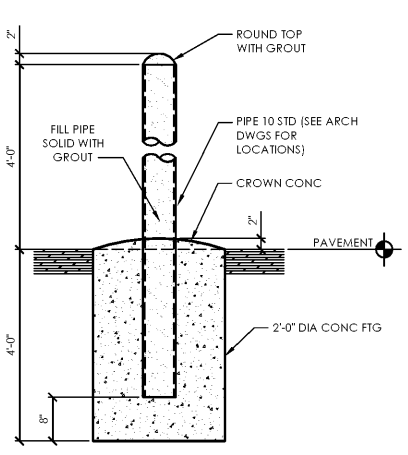
B2 Section @ Freezer Slab
SCALE: 3/4" = 1'-0"



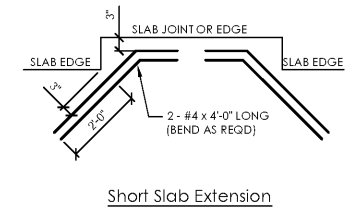
D1 Typical Concrete Cart Bumper Detail
NO SCALE



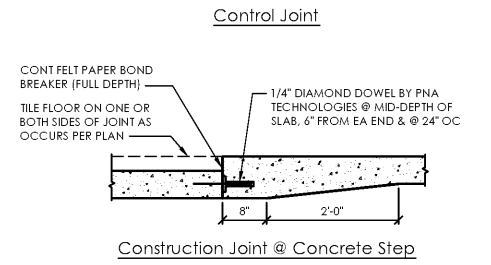
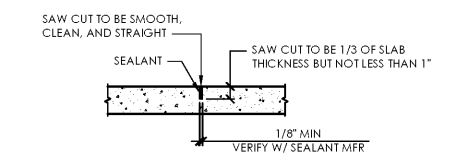
C1 Typical Steel Bollard Detail
SCALE: 3/4" = 1'-0"



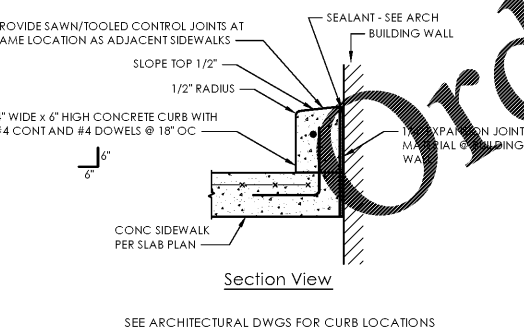
Bollard @ Pavement Detail



B1 Typical Slab-on-Grade Reinforcement
NO SCALE

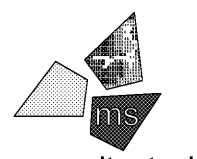


A1 Typical Joint Details for Slabs-on-Grade
NO SCALE



Issued:	Date:
A Client Review Set	05/07/19
B Permit Set	06/12/19
C Client Review Set	02/07/20
D Bid Set	02/10/20
Revisions:	Date:

DO NOT SCALE PLANS
Copying, Printing, Software and other processes required to produce these prints can stretch or shrink the actual paper or layout. Therefore, scaling of this drawing may be inaccurate. Contact us consultants with any need for additional dimensions or clarifications.



ms consultants, inc.
engineers, architects, planners
5444 Wade Park Blvd.
Suite 160
Raleigh, NC 27607-4299
phone 919.772.5565
fax 919.779.2308

DRAWN BY: CLS
REVIEWED BY: DMS/CJH

Seal
PROFESSIONAL OF RECORD:
CRAIG E. METZGER PE No. 044723
EXP. DATE: 12/31/19



ALDI Inc. Store #: 154
Cornelius, NC
20101 West Catawba Avenue
Cornelius, NC 28031
Mecklenburg County
Project Name & Location:

Foundation Details	
Drawing Name:	Project No.
Prototype Rls. 12/10/18	40452-07
Type: LHSD-V8ER	
	S-301
Scale: As Noted	Drawing No.

PLOTTED: 2/10/2020 9:10 AM