



**ColeJenest & Stone**

Shaping the Environment  
Realizing the Possibilities

Land Planning  
Landscape Architecture  
Civil Engineering  
Urban Design

200 South Tryon Street, Suite 1400  
Charlotte, North Carolina 28202  
#704.376.1555 #704.376.7851  
www.colejeneststone.com

**CHARTER CORNELIUS, LP**

75 Holly Hill Lane, Suite 305  
Greenwich  
Connecticut 06830

**ONE NORMAN**

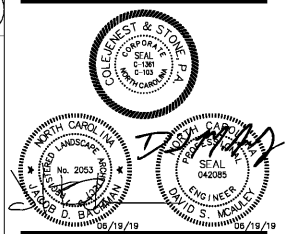
20101 West Catawba Avenue  
Cornelius  
North Carolina 28031

**SITE DETAILS**

Project No.  
4493

Issued  
03/28/19

Revised



**C-805**

The drawings, the project manual and the design shown  
thereon are instruments of ColeJenest & Stone, P.A. The  
reproduction or unauthorized use of the documents without  
consent of ColeJenest & Stone, P.A. is prohibited.

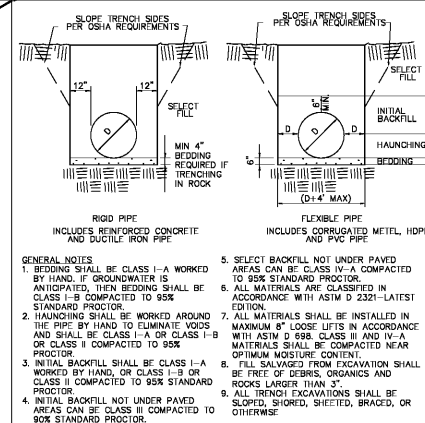
ColeJenest & Stone, P.A. 2019

THIS SPACE INTENTIONALLY LEFT BLANK

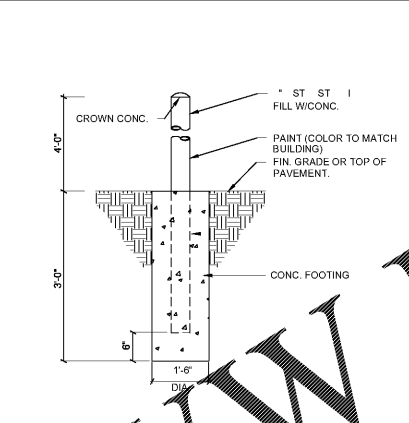
THIS SPACE INTENTIONALLY LEFT BLANK

THIS SPACE INTENTIONALLY LEFT BLANK

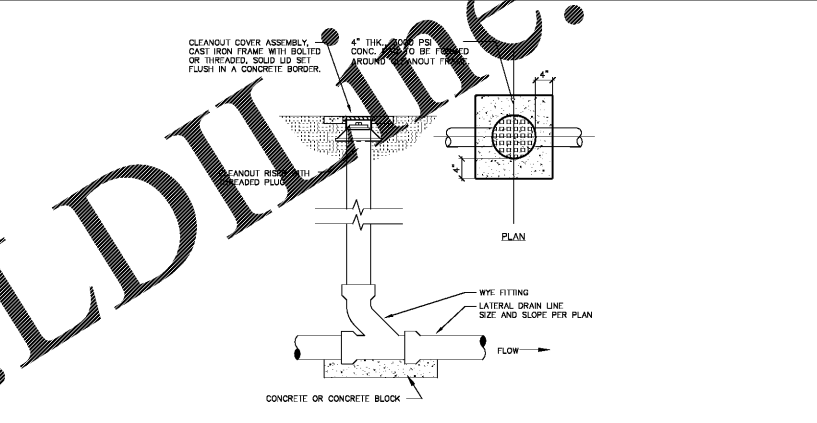
THIS SPACE INTENTIONALLY LEFT BLANK



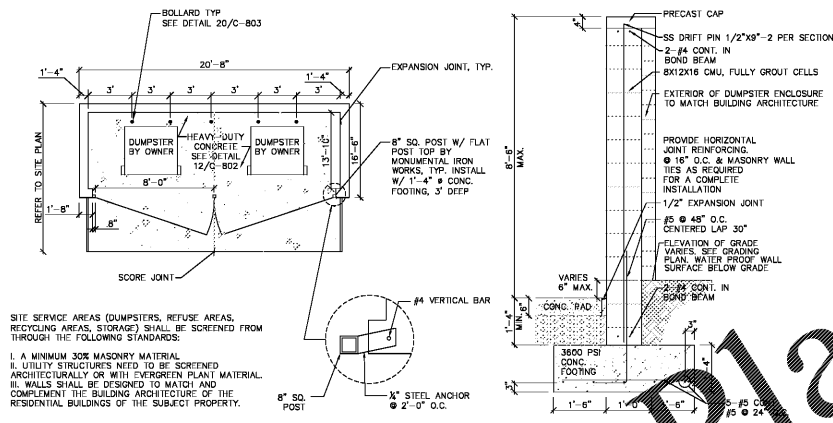
TRENCH DETAIL N.T.S. 15



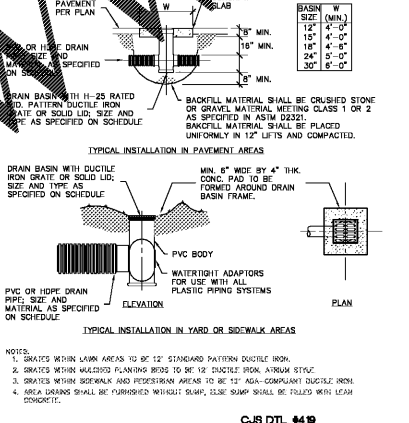
BOLLARD N.T.S. 11



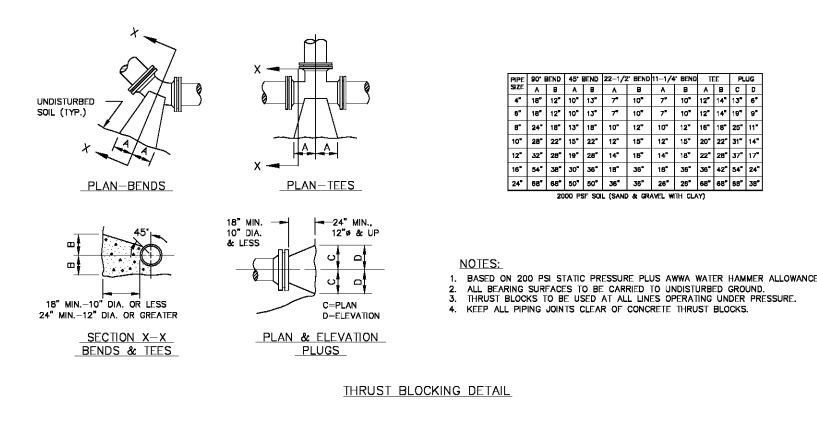
TYPICAL CLEANOUT - SANITARY SEWER N.T.S. 3



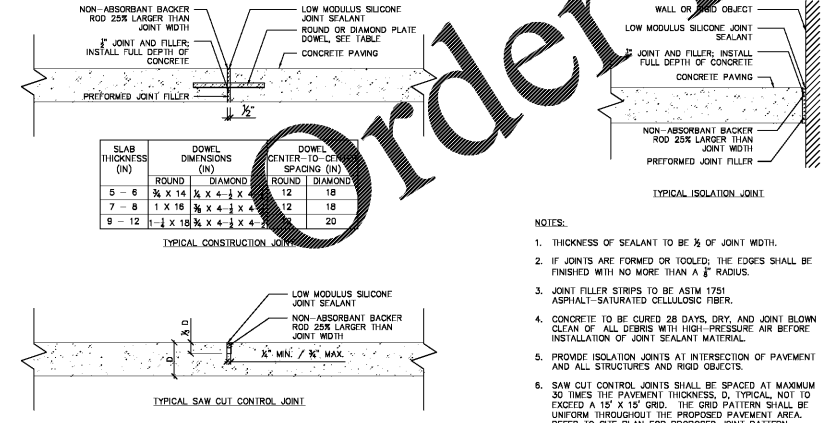
RECYCLING AND TRASH ENCLOSURE N.T.S. 18



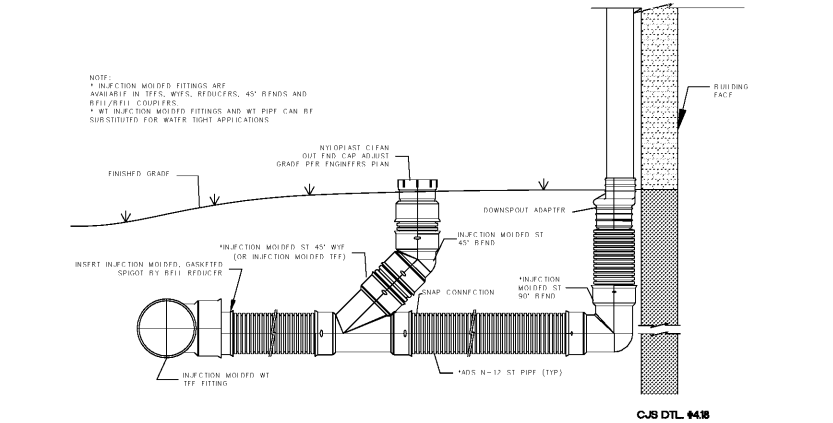
AREA DRAIN N.T.S. 10



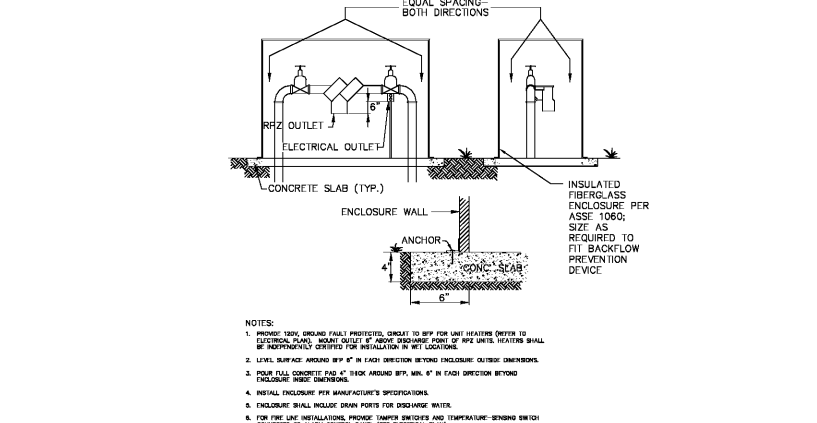
THRUST BLOCKING N.T.S. 2



TYPICAL EXTERIOR JOINT DETAILS N.T.S. 17



ROOF DRAIN WITH CLEAN OUT DETAIL N.T.S. 9



TYPICAL EFP ENCLOSURE INSTALLATION N.T.S. 1

Order Plans

WWW.LDIDLINE.COM