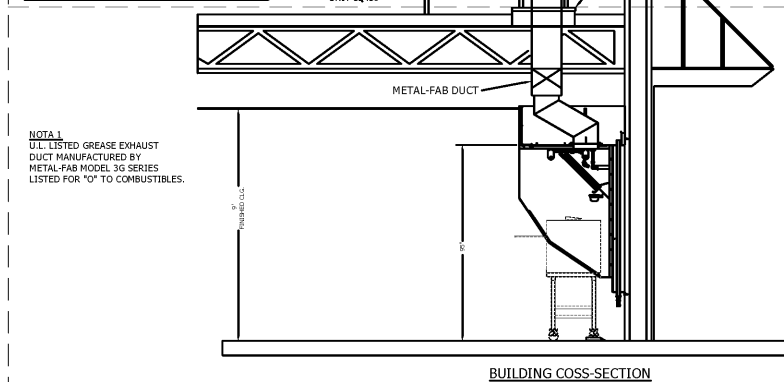


END PANEL INTERCHANGEABLE FOR RIGHT AND LEFT ENDS
 WELD NUT M4
 NUT
 STUD
 STAINLESS STEEL PAN HEAD SCREWS PROVIDED BY HK TYPICAL AT EACH END
 FRONT PANEL
 STUD
 FRONT OF HOOD
 STUD SLOT (FRONT PANELS ONLY)
DETAIL A
DETAIL B

NOTE: ATTACH SIDE PANELS BEFORE ATTACHING FRONT PANEL
BROILER HOOD ENCLOSURE PANELS

NOTE: THIS DIMENSION MUST BE A MINIMUM OF 18" TO MEET CODE REQUIREMENTS



NOTE: U.L. LISTED GREASE EXHAUST DUCT MANUFACTURED BY METAL-FAB MODEL 3G SERIES LISTED FOR "0" TO COMBUSTIBLES.
 METAL-FAB DUCT
 LOREN COOK FAN
 DUCT EXTENSION BY H&K INSTALLED BY CONTRACTOR (SEE SHEET 14) AS REFERENCE UNIT 52451
 DUCT EXTENSION SUPPORT BY H&K AS REFERENCE UNIT 52451
 NOTE: CURB CAP-TO-CURB JOINT MUST BE AIR TIGHT. CONTRACTOR MUST APPLY SEALANT TO JOINT AND SCREW CURB CAP TO CURB.
BUILDING CROSS-SECTION

H&K INTERNATIONAL
 2200 SKYLARK BLVD., SUITE 100, TAMPA, FL 33604
 1-800-788-2445 T-214-818-3500
 MH16346

FOR COMMERCIAL AND INSTITUTIONAL COOKING EQUIPMENT
 UL710, STANDARD FOR EXHAUST HOOD FOR COMMERCIAL EQUIPMENT, 6TH EDITION CANULC-9546-10, STANDARD FOR EXHAUST HOODS AND RELATED CONTROLS, 3RD EDITION, JULY 2010

MODEL NUMBER: 52415 HOOD LENGTH 7 FT - 7 3/4"
 SERIAL NUMBER: S371116-007
 MANUFACTURING I.D.: HKD
 MANUFACTURE DATE: 06/03/15

SPACING BETWEEN LOWER EDGE OF HOOD AND APPLIANCE HOUSING (MAXIMUM): 1/2" (12.7mm) TO APPLIANCE HOUSING (SIDE, FRONT)

BROILER (RATED UP TO 500 KBTU/HR):
 MAXIMUM: 17 IN (432mm) COTE: 12 IN (305mm)
 MINIMUM: 3 IN (76mm) DEVAINT: 6 IN (153mm)

OVEN (RATED UP TO 165 KW):
 MAXIMUM: 17 IN (432mm) COTE: 1-1/2 IN (38mm)
 MINIMUM: 3 IN (76mm) DEVAINT: 3 IN (77mm)

MINIMUM EXHAUST AIR FLOW: 145 CFM/FT / TOTAL 1100 CFM (13.6 CU.M/MIN) / TOTAL 31.1 CU.M/MIN

FILTERS MUST BE IN PLACE: FLAMEGUARD, MODELS 202020 (X2) AND 202016 (X3), UL FILE #R10173
 LIQUIDATION OF COMBUSTIBLES 18" (457mm)

H&K INTERNATIONAL
 2200 SKYLARK BLVD., SUITE 100, TAMPA, FL 33604
 1-800-788-2445 T-214-818-3500
 MH16346

FOR COMMERCIAL AND INSTITUTIONAL COOKING EQUIPMENT
 UL710, NORME POUR ÉQUIPEMENT DE CUISSON COMMERCIAL, 6TH EDITION CAN/ULC-9546-10, NORME POUR HOTTES ET LES CONTRÔLES CONNEXES, 3EME EDITION, JUILLET 2010

NO. DE MODELE: 52415 HOOD LENGTH 7 FT - 7 3/4"
 NO. DE SERIE: S371116-006
 NO. DE FABRICATION: HKD
 DATE DE FABRICATION: 06/03/15

ESPACEMENT ENTRE LE BORD INFÉRIEUR DE LA HOTTE ET L'APPAREIL LOGEMENT (MAXIMUM, MINIMUM): 1/2" (12.7mm) CÔTÉ CHANGING TO L'APPAREIL LOGEMENT (CÔTE, DEVANT)

CHAIR (NOMINAL 100 KBTU/HR):
 MAXIMUM: 17 IN (432mm) COTE: 12 IN (305mm)
 MINIMUM: 3 IN (76mm) DEVAINT: 6 IN (153mm)

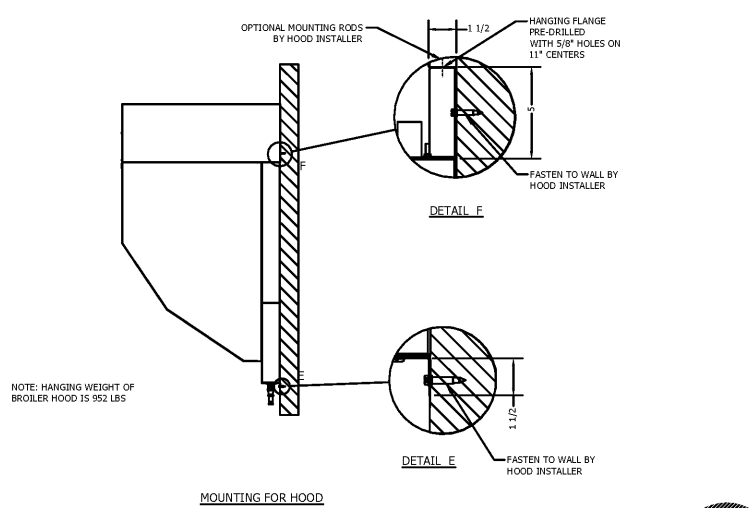
FOUR (NOMINAL 8 KW):
 MAXIMUM: 18 IN (457mm) COTE: 1-1/2 IN (38mm)
 MINIMUM: 3 IN (77mm) DEVAINT: 3 IN (77mm)

DEBIT D'AIR MINIMUM: 145 CFM/FT / TOTAL 1100 CFM (13.5 CU.M/MIN) / TOTAL 31.1 CU.M/MIN

FILTRES OBLIGATOIRES EN PLACE: FLAMEGUARD, MODELE 202020 (X2) AND 202016 (X3), UL FILE #R10173
 LIQUIDATION DE COMBUSTIBLES 18" (457mm)

Shane R. Hamilton P.E.
 CONSULTING ENGINEER
 912 W. Dr. Martin Luther King Jr Blvd
 Tampa, FL 33603 (813) 251-6848

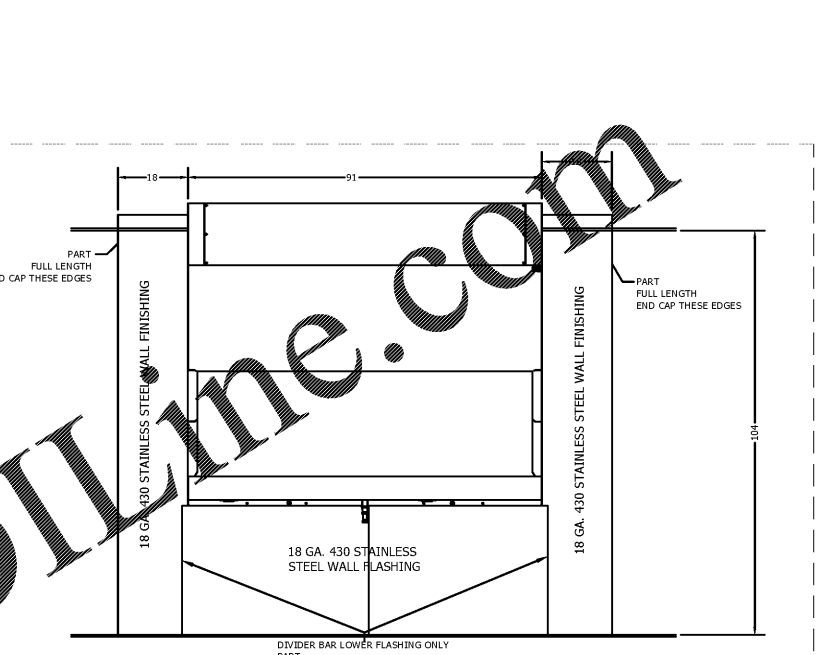
DRAWING INFORMATION		
DATE	DESCRIPTION	BY
01-13-20	FOR CONSTRUCTION	AJ



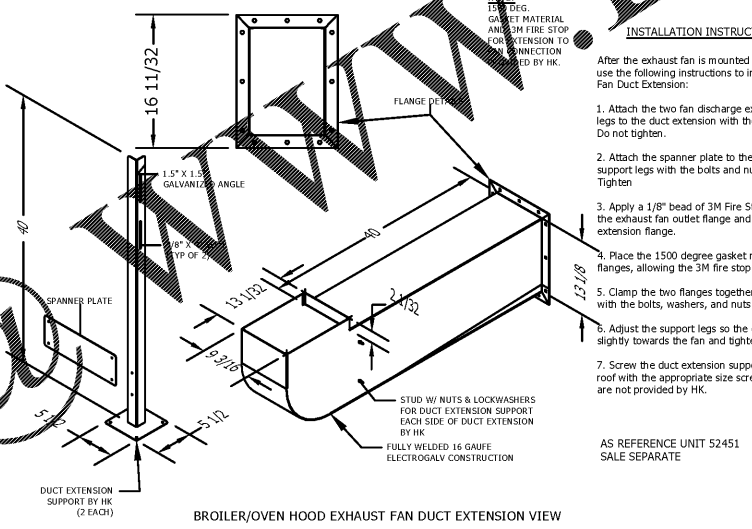
OPTIONAL MOUNTING RODS BY HOOD INSTALLER
 HANGING FLANGE PRE-DRILLED WITH 5/8" HOLES ON 11" CENTERS
 FASTEN TO WALL BY HOOD INSTALLER
DETAIL F
 FASTEN TO WALL BY HOOD INSTALLER
DETAIL E

NOTE: HANGING WEIGHT OF BROILER HOOD IS 952 LBS

MOUNTING FOR HOOD



18 GA. 430 STAINLESS STEEL WALL FLASHING
 PART FULL LENGTH END CAP THESE EDGES
 PART FULL LENGTH END CAP THESE EDGES
 DIVIDER BAR LOWER FLASHING ONLY PART
WALL FLASHING DETAIL



NOTE: 15' LEG GASKET MATERIAL AND 3M FIRE STOP FOR CONNECTION TO BE PROVIDED BY HK.
 FLANGE DET
 SPANNER PLATE
 DUCT EXTENSION SUPPORT BY HK (2 EACH)
 STUD W/ NUTS & LOCKWASHERS FOR DUCT EXTENSION SUPPORT (EACH SIDE OF DUCT EXTENSION BY HK)
 FULLY WELDED 16 GAUGE ELECTROLYTIC CONSTRUCTION
BROILER/OVEN HOOD EXHAUST FAN DUCT EXTENSION VIEW

INSTALLATION INSTRUCTIONS
 After the exhaust fan is mounted on the curb, use the following instructions to install the Fan Duct Extension:
 1. Attach the two fan discharge extension support legs to the duct extension with the nuts provided. Do not tighten.
 2. Attach the spanner plate to the two duct extension support legs with the bolts and nuts provided. Tighten.
 3. Apply a 1/8" bead of 3M Fire Stop (provided) to the exhaust fan outlet flange and the fan discharge extension flange.
 4. Place the 1500 degree gasket material on one of the flanges, allowing the 3M fire stop to hold it in place.
 5. Clamp the two flanges together and bolt together with the bolts, washers, and nuts provided. Tighten.
 6. Adjust the support legs so the duct extension slopes slightly towards the fan and tighten the nuts.
 7. Screw the duct extension support leg flanges to the roof with the appropriate size screws. These screws are not provided by HK.
 AS REFERENCE UNIT 52451
 SALE SEPARATE

BK ROC HOOD/EX FAN/FIRE SYSTEM/HVAC CONTROL MATRIX						
ACTION	EX FAN	ELECTRIC PWR TO COOKING EQUIP.	MECH. GAS VALVE	HVAC UNIST	MAKE UP AIR UNIT (IF APPLICABLE)	COMMENTS
FAN SW. TURNED ON	ON	ON	ON	ON	ON	NOTE: HVAC UNITS MUST BE ON BEFORE EX FAN CAN COME ON
FAN SW. TURNED OFF	OFF	OFF	OFF	OFF	OFF	
HE SYSTEM DISCHARGES	ON	OFF	OFF	OFF	OFF	
SLIPPING FAN BELT	ON	OFF	ON	ON	OFF	PWR TO COOKING EQUIP. OFF VIA CURRENT SENSOR
BROKEN FAN BELT	ON	OFF	ON	ON	OFF	PWR TO COOKING EQUIP. OFF VIA CURRENT SENSOR
POWER OUTAGE	OFF	OFF	ON	OFF	OFF	
HVAC SYSTEM TURNED OFF	OFF	OFF	ON	OFF	OFF	

RECEPTABLES LAYOUT
 1. MEAT WELL RECEPTABLE
 2. SPANNE RECEPTABLE
 3. DUKE FAB BROILER RECEPTABLE OR NECO MP984 RECEPTABLE
 4. HOLDING CABINET RECEPTABLE
 5. SPANNE RECEPTABLE
 NOTES:
 1- NECO MP984 BROILER REQUIRES 208-240V, 30 AMP NEMA TWIST LOCK LG 30R
 2- DUKE BROILER REQUIRES SINGLE RECEPTABLE NEMA 5-20R HOSPITAL GRADE PROVIDED BY CONTRACTOR
 3- IF LOCAL CODE REQUIRES G.F.I. PROTECTION, THE PROTECTION SHALL BE PROVIDED IN THE CIRCUIT BREAKER PANEL BY THE ELECTRICIAN

Contact Information for the Job Site Contractor

Manufactured by:
 H&K International
 2200 Skylark Dr.
 Mesquite, TX 75149
 U.S.A.
 Telephone: (214) 818-3500
 (214) 818-3596

Distributed by:
 H&K International
 2200 Skylark Dr.
 Mesquite, TX 75149
 U.S.A.
 Telephone: (214) 818-3500
 (214) 818-3596

Part Ordering and Service Returns:
 Contact: H&K International
 2200 Skylark Dr.
 Mesquite, TX 75149
 U.S.A.
 Telephone: (214) 818-3500
 (214) 818-3596

Service and parts:
 Contact: H&K International
 2200 Skylark Dr.
 Mesquite, TX 75149
 U.S.A.
 Telephone: (214) 818-3500
 (214) 818-3596

Damages and Shortages:
 Upon receipt, examine the equipment carefully for any damage. If damage has occurred, notify the carrier and H&K Dallas Inc. immediately.

Important Note: The local Amerex distributor will make contact with the general contractor to set up the installation schedule. If you have not heard from the distributor contact:
 Amerex Corporation, Trussville, Alabama
 1. Karen Mann Office Phone: 205-655-5730

Amerex Fire System Installation Questions:
 Note: As an option, the hoods may be pre-piped for an Ansul R-102 fire system. If this option is used, Gaylord does not provide complete installation.

Important Note: The local Amerex distributor will make contact with the general contractor to set up the installation schedule. If you have not heard from the distributor contact:
 Amerex Corporation, Trussville, Alabama
 1. Karen Mann Office Phone: 205-655-5730

Amerex Fire System Installation Questions:
 Note: As an option, the hoods may be pre-piped for an Ansul R-102 fire system. If this option is used, Gaylord does not provide complete installation.

If you have questions regarding Amerex installations & you do not know your local Amerex distributor, contact:
 Amerex Inc., Marietta, VA
 Office Phone: 800-862-6785

Overview
 Typically the package provided by HK Industries includes the following:
 1. One Hood
 2. One Metal Fab UL listed grease exhaust duct system
 3. One Loren Cook exhaust fan
 4. One Amerex fire system, to serve both Broiler & Fryer Hoods.

The shipment from HK includes the following:
 1. Broiler Hood
 2. Broiler Hood Enclosure Panels
 3. Broiler Hood Wall Flashing
 4. One Exhaust Fan Discharge Duct Extension

The Metal-Fab grease exhaust duct systems are dropped shipped from their factory in Wichita, Kansas.

NOTE 1: If optional Square Duct Kit is ordered, the kit will be shipped with the hood.

The Loren Cook exhaust fans and roof curb is dropped shipped from their factory in Springfield, Missouri.

Contact Information:
Sales Support:
 Heather Valverde
 Telephone: (214) 818-3521
 E-mail: heather.valverde@hki.com
Engineering Support:
 Bryan Tonn
 Telephone: (214) 818-3580
 E-mail: bryan.tonn@hki.com
 Allen Barton
 Telephone: (214) 818-3625
 E-mail: allen.barton@hki.com

Metal-Fab Duct Installation Questions:
 Metal-Fab Inc., Wichita, Kansas
 1. Customer Service, Commercial Vent Products:
 800-835-2830

Loren Cook Fan Installation Questions:
 Loren Cook Company, Springfield, Missouri:
 1. David Ray Office Phone: 417-869-6474

Amerex Fire System Installation Questions:
 The Hood has been factory pre-piped for an Amerex fire system. The package from HK includes complete installation of the Amerex fire system including all plans, permits, check out and certification. The local Amerex distributor will bring all the system components at the time of installation.

Important Note: The local Amerex distributor will make contact with the general contractor to set up the installation schedule. If you have not heard from the distributor contact:
 Amerex Corporation, Trussville, Alabama
 1. Karen Mann Office Phone: 205-655-5730

Amerex Fire System Installation Questions:
 Note: As an option, the hoods may be pre-piped for an Ansul R-102 fire system. If this option is used, Gaylord does not provide complete installation.

If you have questions regarding Amerex installations & you do not know your local Amerex distributor, contact:
 Amerex Inc., Marietta, VA
 Office Phone: 800-862-6785

HVAC SYSTEM
NCA
 CONSULTANTS / GROUP
 6510 N. 125TH AVENUE, SUITE #1001
 LARGO, FLORIDA
 PHONE: (877) 550-0078
 CALL NCA MARKETING FOR PRICING
 NCA JOB# 20128

FRANCHISEE:
 GPS HOSPITALITY
 2100 RIVEREDGE PARKWAY
 SUITE 850
 ATLANTA, GA 30328
 PHONE: 770-738-0798

CHECKED BY: SNC
 REVISION
 DRAWN BY: DWM
 DATE: 01-13-20

BURGER KING

CURRAN ARCHITECTURE
 5719 LAWTON LOOP E. DR. #212
 INDIANAPOLIS, IN 46216
 O : 317.288.0681
 F : 317.288.0753

SHANE HAMILTON, P.E.
 912 W. DR. MARTIN LUTHER KING JR. BLVD.
 TAMPA, FL 33603
 813.251.6848

NOVEMBER 2018 DESIGN RELEASE
 PROJECT #: 190420
 ROG-00 TALL 20/20 IMAGE
BURGER KING
 2413 NORTH HILLS STREET
 MERIDIAN, MS 39305
 HOOD DETAILS
M5

© Copyright 2020- Drawings, specifications, notes, database, computer files, field data, and reports as instruments of service prepared by the Design of Record. As instruments of services, these items remain the property of the Design of Record, who shall retain all statutory and other reserved rights, including the copyright thereto. Any use, reproduction or changes to these documents without written consent of NCA Consultants is a violation of federal copyright laws.