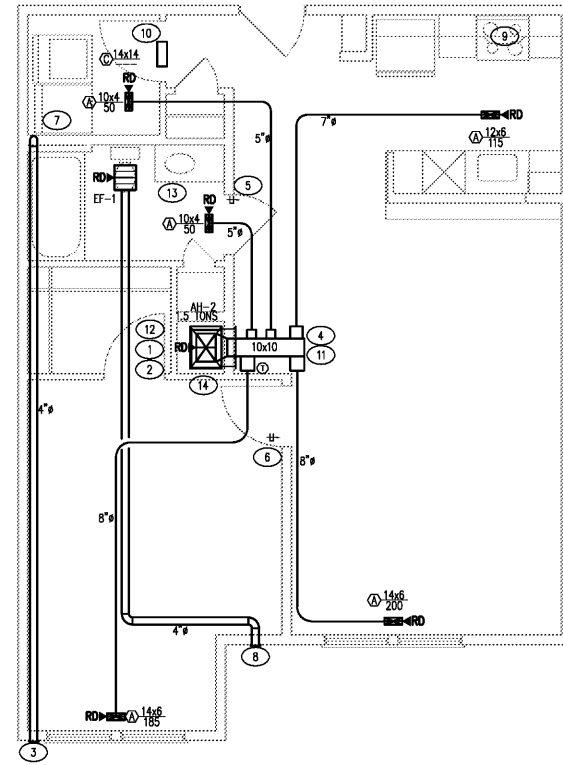
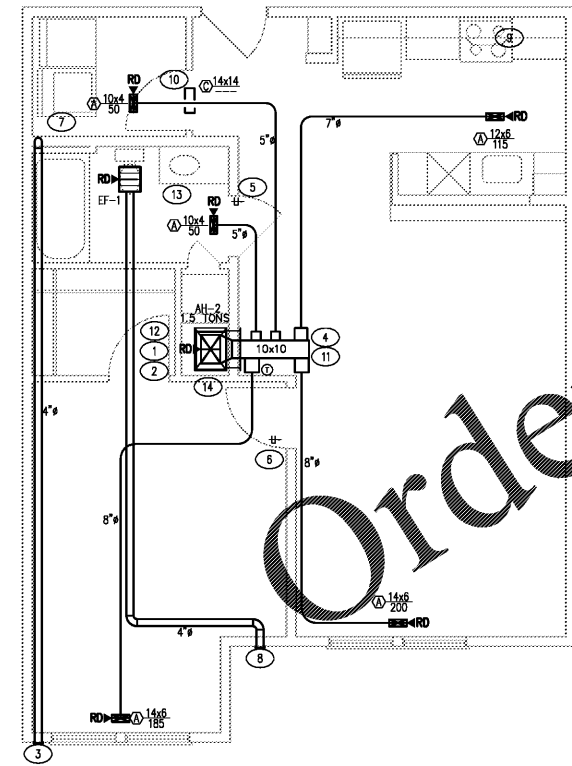


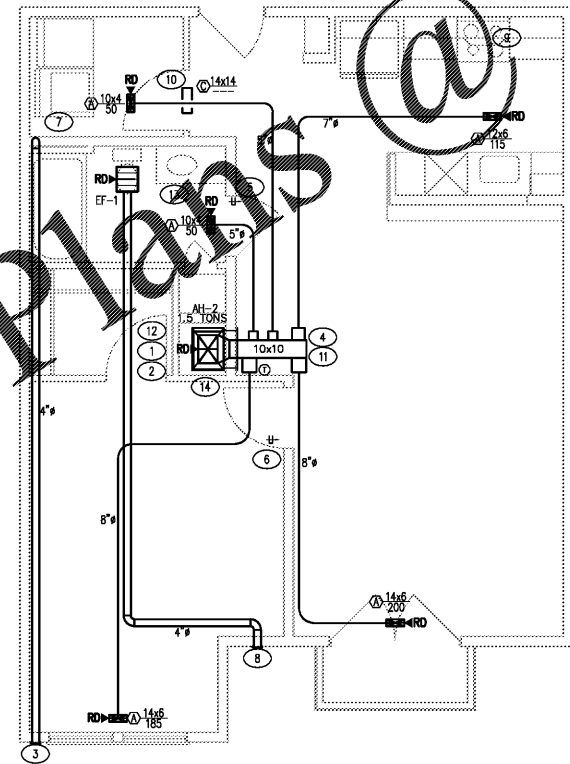
1 UNIT B4SJ - PLAN - MECHANICAL
1/4" = 1'-0"



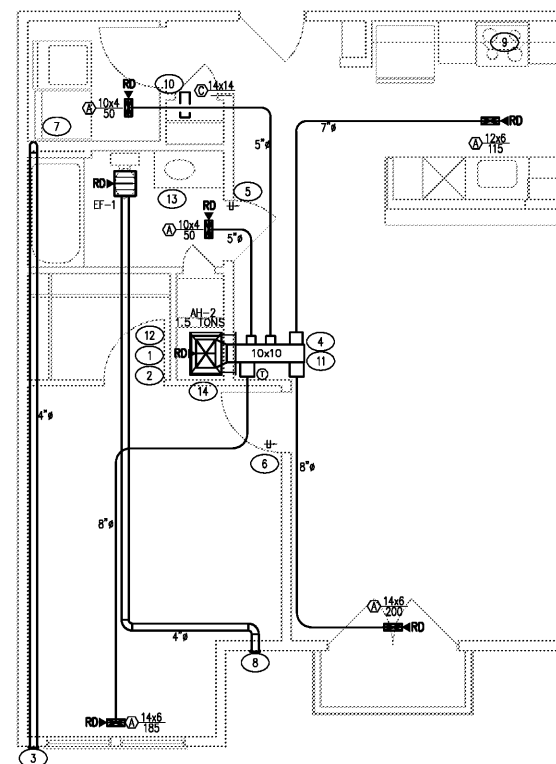
2 UNIT B5 - PLAN - MECHANICAL
1/4" = 1'-0"



3 UNIT B5A - PLAN - MECHANICAL
1/4" = 1'-0"



4 UNIT B5AJ - PLAN - MECHANICAL
1/4" = 1'-0"



5 UNIT B5J - PLAN - MECHANICAL
1/4" = 1'-0"

TAGGED NOTES

- 1 HVAC UNIT HANGER BRACKET FURNISHED & INSTALLED BY MECH. CONTRACTOR. UNIT SIZE, INSTALLATION, ETC., TO BE COORDINATED WITH GC & FRAMING CONTRACTOR.
- 2 3/4" CONDENSATE DRAIN ROUTED TO HUB DRAIN (HD BY PC) IN MECH. CLOSET. REFER TO PLUMBING RISERS. COORDINATE W/ DUCTS, G.C., FRAMING CONTR., STRUCTURE, ETC.
- 3 DRYER VENT PIPE SHALL BE 4" SINGLE WALL RIGID SHEETMETAL PER MECH. CODE. M.C. TO PROVIDE 4" VENT CAP WITH DAMPER & SHALL CAULK BEHIND CAP WITH 100% SILICONE.
- 4 SUPPLY AIR PLENUM OFF AIR HANDLING UNIT SHALL BE INST. PERING. TYPICAL ALL UNITS.
- 5 ALL BATHROOM DOORS TO HAVE UNDERCUTS.
- 6 ALL ROOMS WITH S.A. TO HAVE DOOR UNDERCUTS PER RETURN - SEE ARCH. DOOR SCHEDULE FOR MORE INFORMATION.
- 7 4" DRYER VENT DOWN HALL TO 2" ABOVE FINISHED FLOOR (LOWER FLOOR). 4" DRYER VENT UP WALL TO 2" ABOVE FINISHED FLOOR (UPPER FLOORS). PROVIDE RECESSED METAL BOX. PROVIDE RATED RECESSED BOX WHEN IN RATED WALL. PROVIDE METAL DRYER VENT IN RATED INTERSTITIAL SPACE/WALL. SEE DETAIL 3.10.4 FOR MORE INFORMATION.
- 8 4" VENT CAP WITH B.D.U. COLOR TO MATCH WALL.
- 9 CONCRETE TYPE RANGE HOOD BY OTHERS.
- 10 TRANSFER GRILLE FOR LAUNDRY ROOM. MIN. FREE AREA OF 100 SQ IN. IS REQUIRED. INSTALL GRILLE ABOVE DOOR(S). COORDINATE WITH STRUCTURAL.
- 11 SUPPLY AIR DUCT TRUNK TO RUN BETWEEN JOISTS. CONFIRM DIRECTION OF JOISTS DURING CONSTRUCTION AND ROTATE TRUNK 90° IF REQUIRED.
- 12 RETURN AIR THROUGH LOUVER, PART OF HVAC UNIT.
- 13 4" GALVANIZED SHEET METAL FOR EXHAUST BATH FAN.
- 14 FRESTAT EQUIVALENT TO DYNACON FS-200 TO BE INSTALLED IN SUPPLY DUCT. UNIT SHALL SHUTDOWN WHEN AIR TEMPERATURE REACHES THE PRESET LEVEL OF 135 DEG FAHRENHEIT. COORDINATE CONNECTION WITH E.C.

WWW.LDILING.COM

Order Plans @



WATTS LEAF ARCHITECTS, PA
101 North McDowell Street, Suite 112
Charlotte, North Carolina 28204
PH: 704.376.1200 FX: 704.376.5111

14301 SOUTH LAKES DRIVE, SUITE E
CHARLOTTE NC 28217
W: 704-688-9320 C: 704-968-8143
CONSULTING - DESIGN-BUILD
NC LICENSE #P-1248

CRABTREE NORTH APTS.
2251 Charles Drive
Raleigh, North Carolina
EYC COMPANIES

PROJECT 1915
DATE 010CT19
DRAWN BY CME
CHECKED BY CME

UNIT PLANS -
MECHANICAL

M2.05