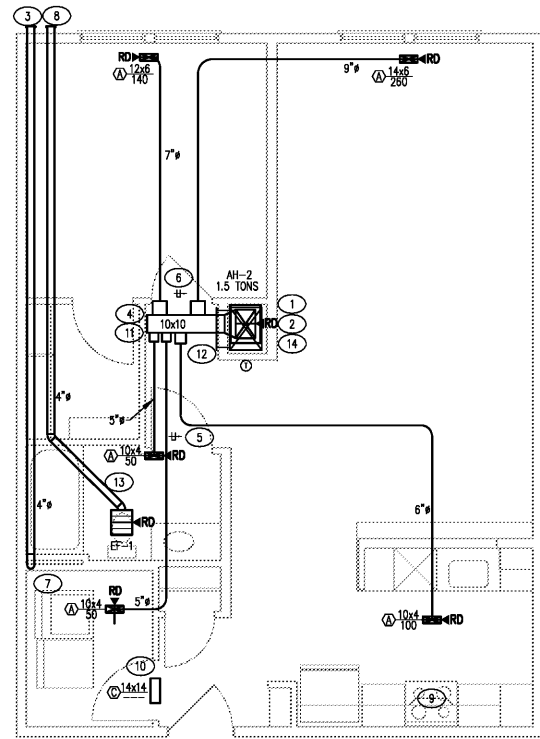
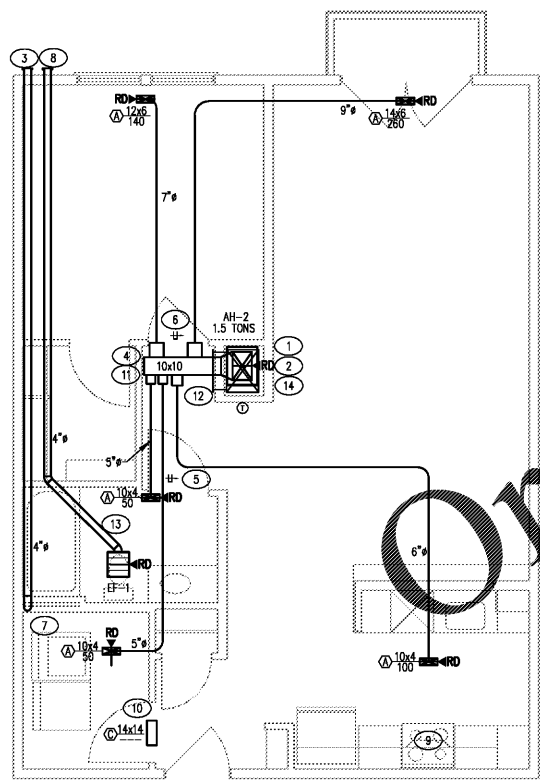


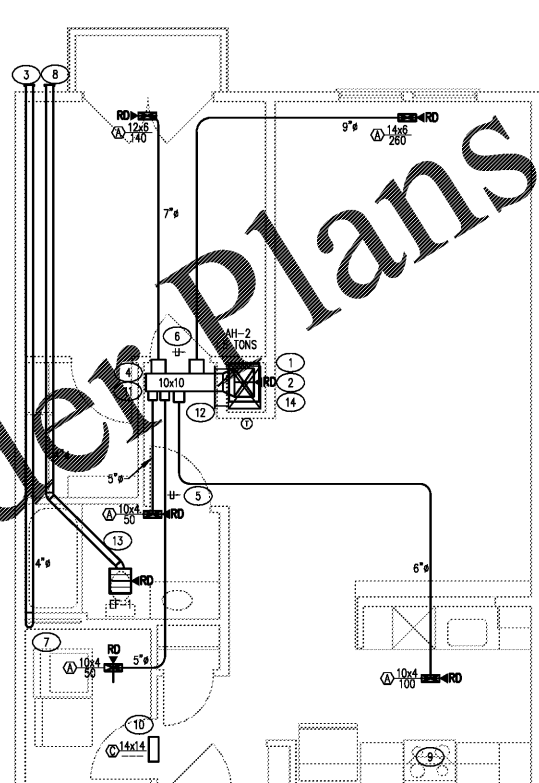
**3 UNIT B2F - PLAN - MECHANICAL**  
1/4" = 1'-0"



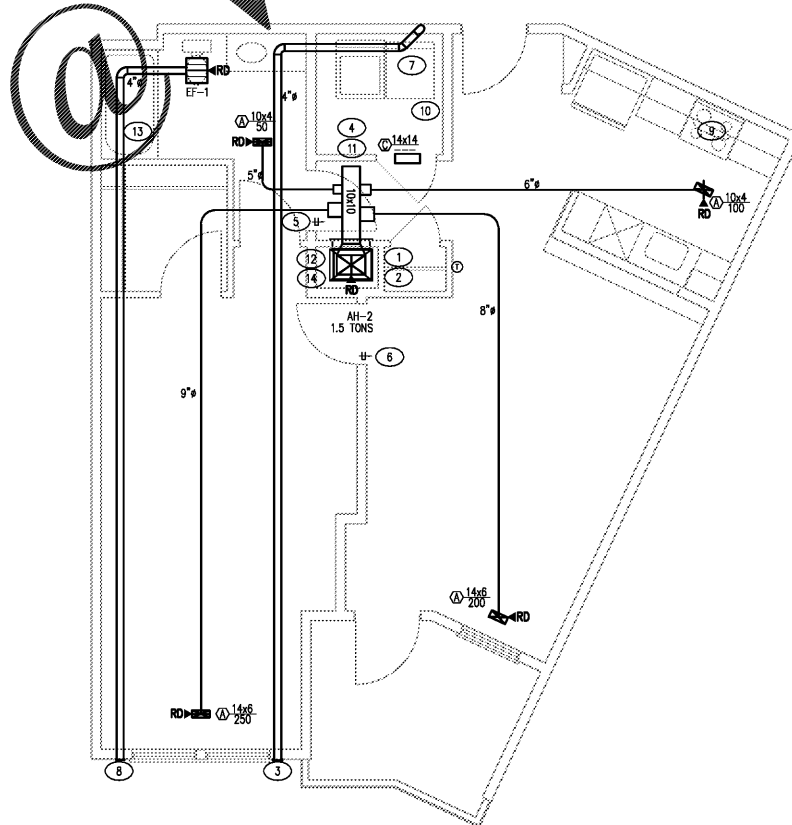
**4 UNIT B3 - PLAN - MECHANICAL**  
1/4" = 1'-0"



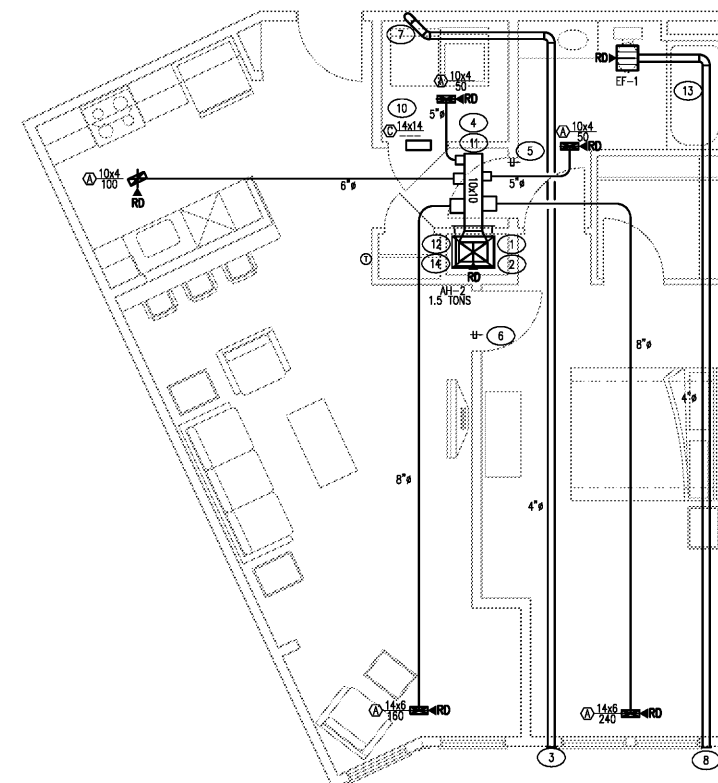
**5 UNIT B3JL - PLAN - MECHANICAL**  
1/4" = 1'-0"



**6 UNIT B3JR - PLAN - MECHANICAL**  
1/4" = 1'-0"



**7 UNIT B4 - PLAN - MECHANICAL**  
1/4" = 1'-0"



**8 UNIT B4S - PLAN - MECHANICAL**  
1/4" = 1'-0"

- TAGGED NOTES**
- HVAC UNIT HANGER BRACKET FURNISHED & INSTALLED BY MECH. CONTRACTOR. UNIT SIZE, INSTALLATION, ETC., TO BE COORDINATED WITH GC & FRAMING CONTRACTOR.
  - 3/4" CONDENSATE DRAIN ROUTED TO HUB DRAIN (HD BY PC) IN MECH. CLOSET. REFER TO PLUMBING RISERS. COORDINATE W/ DUCTS, G.C., FRAMING CONTR., STRUCTURE, ETC.
  - DRYER VENT PIPE SHALL BE 4" SINGLE WALL RIGID SHEETMETAL PER MECH. CODE. M.C. TO PROVIDE 4" VENT CAP WITH DAMPER & SHALL CAULK BEHIND CAP WITH 100% SILICONE.
  - SUPPLY AIR PLENUM OFF AIR HANDLING UNIT SHALL BE MIN. 4" LEAK. TYPICAL ALL UNITS.
  - ALL BATHROOM DOORS TO HAVE UNDERCUTS.
  - ALL ROOMS WITH S.A. TO HAVE DOOR UNDERCUTS FOR RETURN. SEE ARCH. DOOR SCHEDULE FOR MORE INFORMATION.
  - 4" DRYER VENT DOWN WALL TO ABOVE FINISHED FLOOR (LOWER FLOOR). 4" DRYER VENT UP WALL TO 2" ABOVE FINISHED FLOOR (UPPER FLOORS). PROVIDE RECESSED METAL BOX. PROVIDE RATED RECESSED BOX WHEN IN RATED WALL. PROVIDE THERMAL BREAK WHEN IN RATED INTERSTITIAL SPACE/WALL. SEE 3/M1.4 FOR MORE INFORMATION.
  - 4" EXH. CAP @ SH B.D.D. COLOR TO MATCH WALL.
  - GLAZING TYPE RANGE HOOD BY OTHERS.
  - TRANSFER GRILLE FOR LAUNDRY ROOM. MIN. FREE AREA OF 100 SQ. IN. IS REQUIRED. INSTALL GRILLE ABOVE DOOR(S). COORDINATE WITH STRUCTURAL.
  - SUPPLY AIR DUCT TRUNK TO RUN BETWEEN JOISTS. CONFIRM DIRECTION OF JOISTS DURING CONSTRUCTION AND ROTATE TRUNK 90° IF REQUIRED.
  - RETURN AIR THROUGH LOUVER, PART OF HVAC UNIT.
  - 4" GALVANIZED SHEET METAL FOR EXHAUST BATH FAN.
  - FRESTAT EQUIVALENT TO DYNACON FS-200 TO BE INSTALLED IN SUPPLY DUCT. UNIT SHALL SHUTDOWN WHEN AIR TEMPERATURE REACHES THE PRESET LEVEL OF 135 DEG FAHRENHEIT. COORDINATE CONNECTION WITH E.C.

WWW.LDILine.com



WATTS LEAF ARCHITECTS, PA  
101 North McDowell Street, Suite 112  
Charlotte, North Carolina 28204  
PH: 704.376.1200 FAX: 704.376.5111

**CRABTREE NORTH APTS.**  
2251 Charles Drive  
Raleigh, North Carolina  
EYC COMPANIES

PROJECT 1915  
DATE 01OCT19  
DRAWN BY CME  
CHECKED BY CME

UNIT PLANS -  
MECHANICAL

**M2.04**