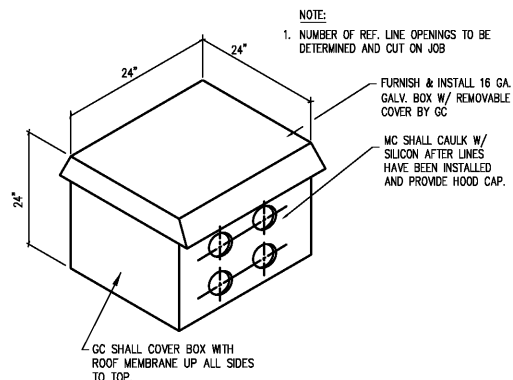
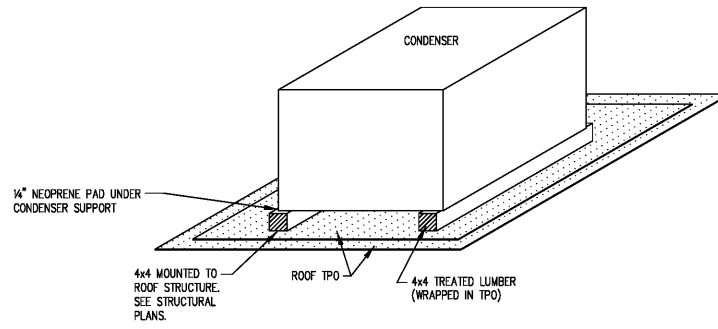


1 EXHAUST FAN DETAIL
NO SCALE

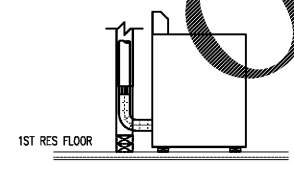
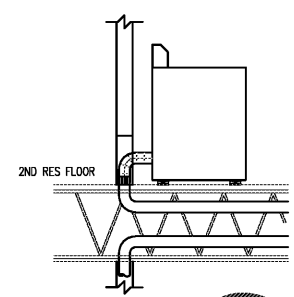
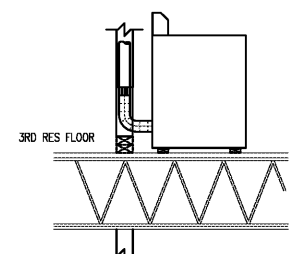
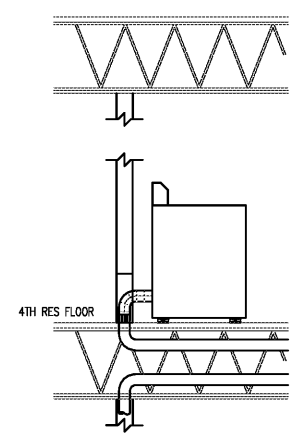


2 REFRIGERANT BOX DETAIL
NO SCALE



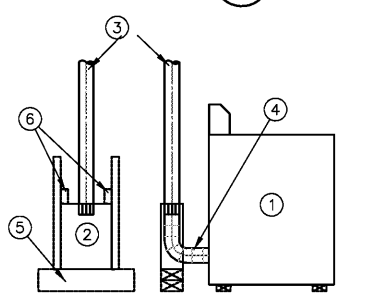
3 HEAT PUMP UNIT ROOF MOUNTING DETAIL
NO SCALE

- NOTE:
1. ALL HEAT PUMP UNITS LOCATED ON THE ROOF SHALL BE MOUNTED AS SHOWN.
 2. ALL HEAT PUMP UNITS TO BE EQUIPPED WITH VIBRATION ISOLATORS.
 3. VERIFY ALL REQUIREMENTS WITH SOUND CONSULTANTS SPECIFICATIONS.
 4. PROVIDE PROTECTIVE COATING PER CODE FOR CORROSIVE ENVIRONMENT.

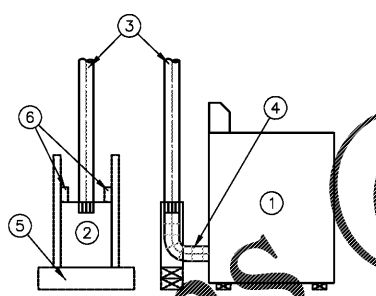


- NOTE:
1. DRYER DUCT SHALL BE SEALED WITH FIRE WRAP. SEE 3/M-04.
 2. DRYER TRANSITION DUCT SHALL NOT BE CONCEALED.

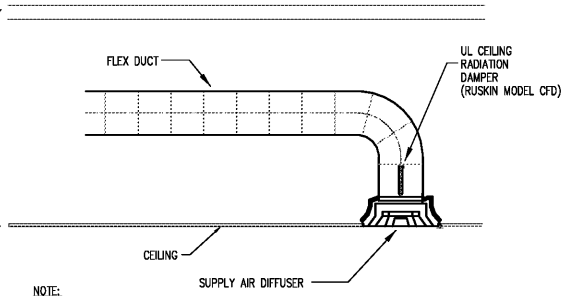
6 DRYER VENT DETAIL
NO SCALE



4 RECESSED METAL BOX FOR DRYER EXHAUST IN RATED WALL
NO SCALE

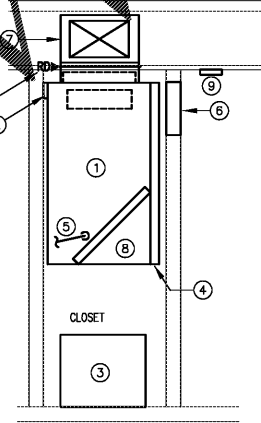


5 RECESSED METAL BOX FOR DRYER EXHAUST
NO SCALE

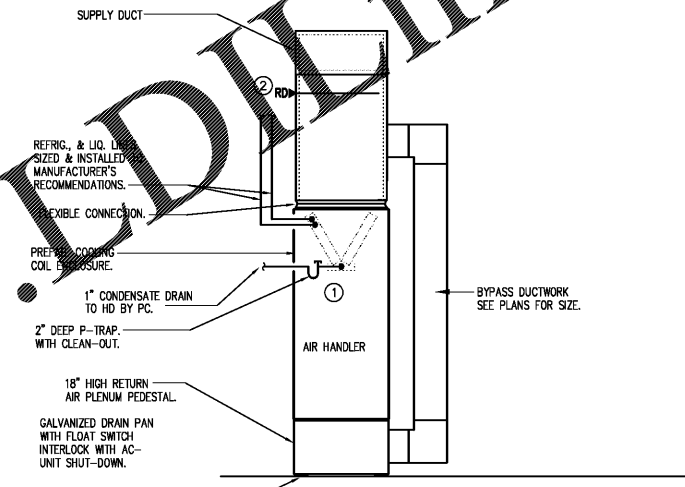


- NOTE:
1. SEE FLOOR PLANS AND SPECIFICATIONS FOR DUCT INSULATION REQUIREMENTS.
 2. PROVIDE UL RADIATION DAMPER/BLANKET ASSY.

7 SUPPLY AIR DIFFUSER DETAIL
NO SCALE

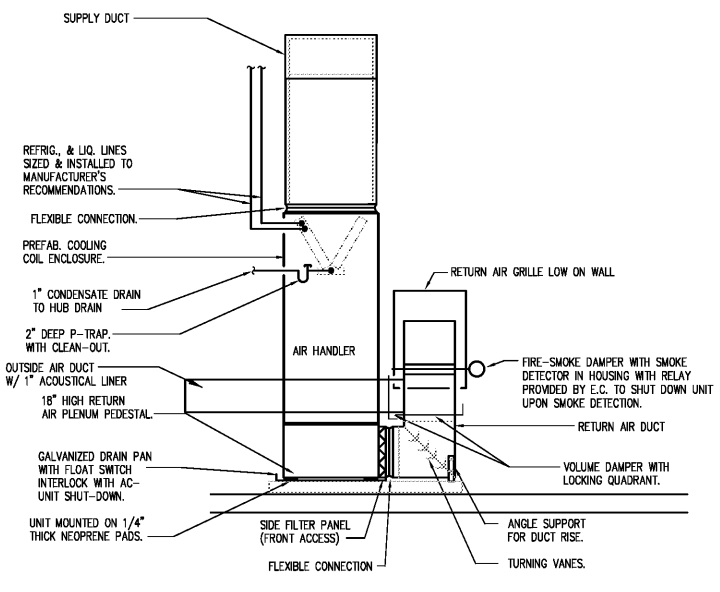


8 UNIT AIR HANDLER DETAIL
NO SCALE



9 AIR HANDLING UNIT DETAIL
NO SCALE TOWNHOMES

- NOTE:
1. SECONDARY DRAIN WITH SAFE-T-SWITCH MODEL SSI FLOAT SWITCH TIED TO AIR HANDLER FOR SHUT-DOWN.
 2. RADIATION DAMPER INTERLOCK WITH FIRESTAT FOR UNIT SHUT-DOWN.



10 AIR HANDLING UNIT DETAIL
NO SCALE CORRIDOR



WATTS LEAF ARCHITECTS, PA
101 North McDowell Street, Suite 112
Charlotte, North Carolina 28204
PH 704.376.1202 FX 704.376.5111

14301 SOUTH LAKES DRIVE, SUITE E
CHARLOTTE NC 28217
W-704-698-9320 C-704-968-8143
CONSULTING DESIGN-BUILD
NC LICENSE #P-1248

CRABTREE NORTH APTS.
2251 Charles Drive
Raleigh, North Carolina
EYC COMPANIES

PROJECT 1915
DATE 01OCT19
DRAWN BY CME
CHECKED BY CME
MECHANICAL DETAILS

M1.2