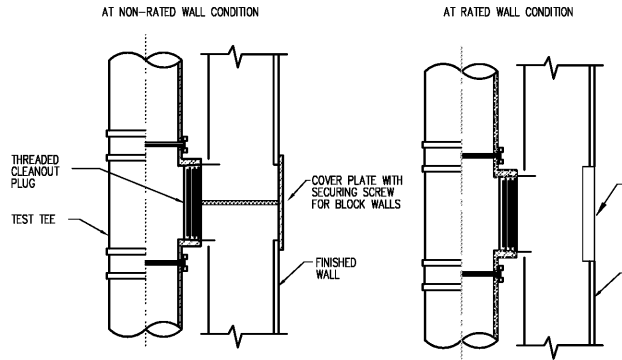
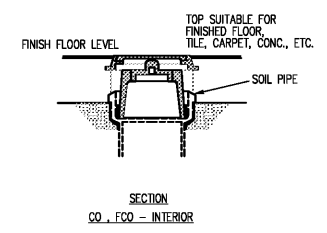


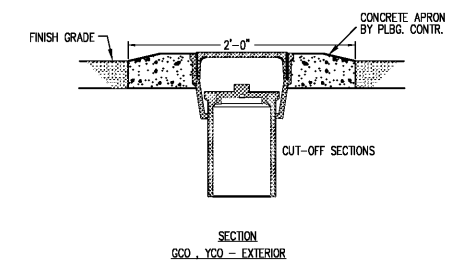
**1 FLOOR DRAIN DETAIL**  
NO SCALE



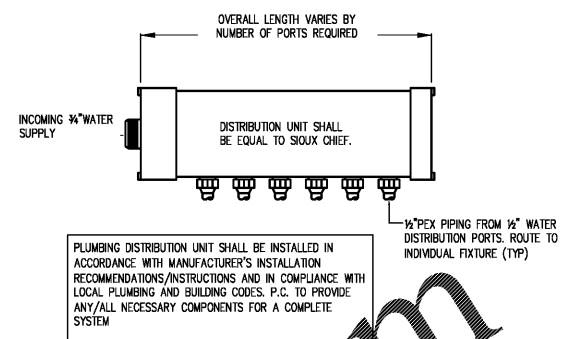
**2 WALL CLEANOUT DETAIL**  
NO SCALE



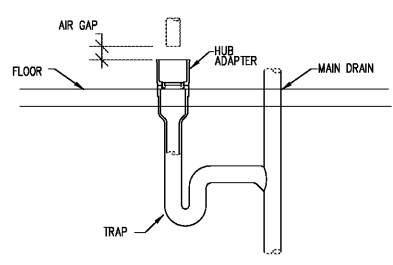
**3 INTERIOR CLEANOUT DETAIL**  
NO SCALE



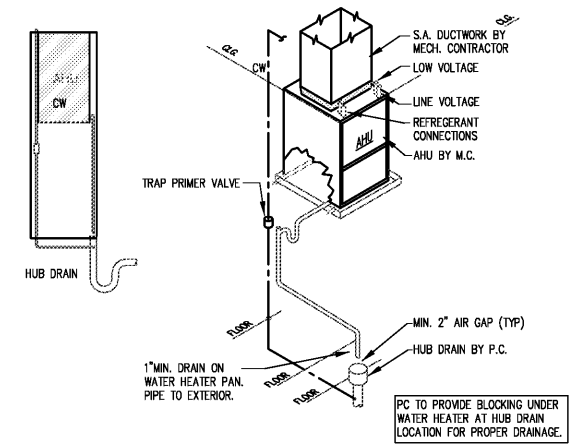
**4 EXTERIOR CLEANOUT DETAIL**  
NO SCALE



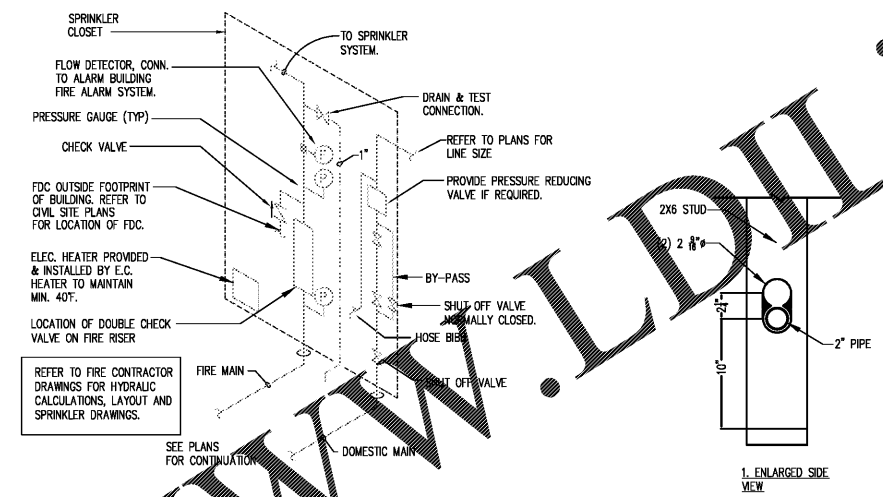
**5 PEX WATER SUPPLY DISTRIBUTION DIAGRAM**  
NOT TO SCALE  
NOTE: STANDARD COLD WATER PEX SYSTEM IS ALLOWED IN LIEU OF PEX SYSTEM



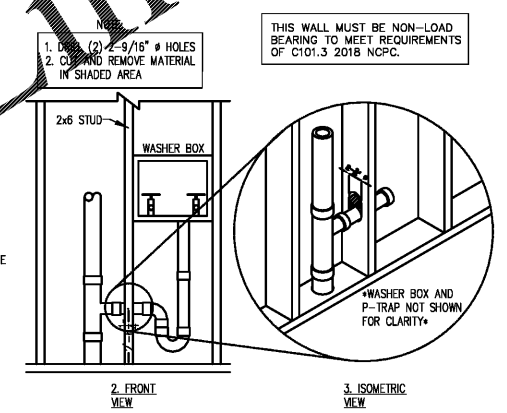
**6 HUB DRAIN DETAIL**  
NO SCALE  
NOTE: 1. PROVIDE TRAP PRIMER AND W" SUPPLY LINE TO ALL HUB DRAINS.



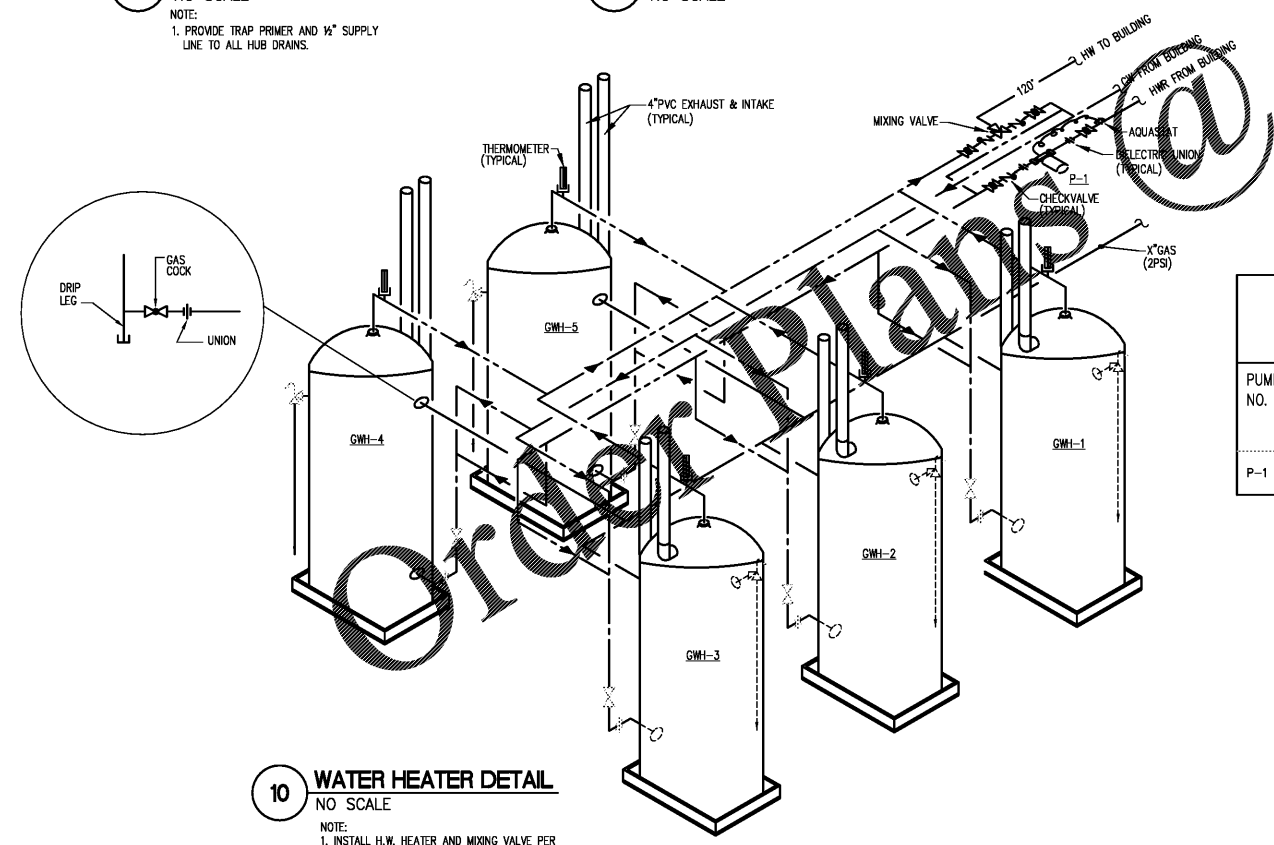
**7 MECHANICAL CLOSET DETAIL**  
NO SCALE



**8 FIRE RISER DIAGRAM**  
NO SCALE



**9 WASHER BOX INSTALLATION**  
NO SCALE



**10 WATER HEATER DETAIL**  
NO SCALE  
NOTE: 1. INSTALL H.W. HEATER AND MIXING VALVE PER MANUFACTURER REQUIREMENTS. 2. PROVIDE HEAT TRAP ON CW AND HW LINES PER ENERGY CODE.

PUMP SCHEDULE												
PUMP NO.	SERVICE	GPM	HEAD (FT)	EFF. (%)	RPM	HP	VOLTS	PHASE	TYPE	VIBRATION ISOLATION		MFG. & MODEL NO.
										TYPE	DEFLEC	
P-1	CIRCULATING PUMP	28	16	-	1725	1/6	115	1	INLINE	-	-	B&G SERIES PR



14301 SOUTH LAKES DRIVE, SUITE E  
CHARLOTTE NC 28217  
W 704-668-9320 C 704-968-8143  
CONSULTING DESIGN-BUILD  
NC LICENSE #P-1248

**CRABTREE NORTH APTS.**  
2251 Charles Drive  
Raleigh, North Carolina  
EYC COMPANIES

PROJECT 1915  
DATE 01OCT19  
DRAWN BY CME  
CHECKED BY CME  
PLUMBING DETAILS

**P1.02**