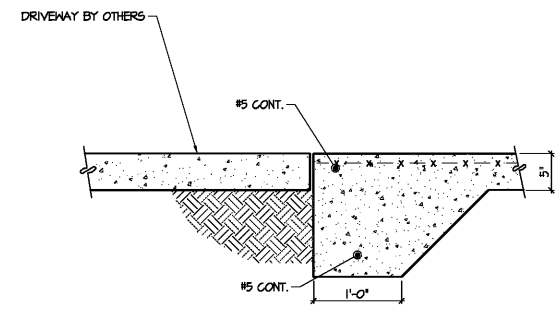
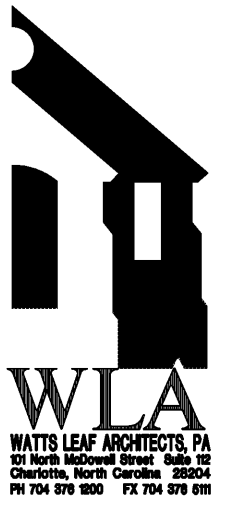
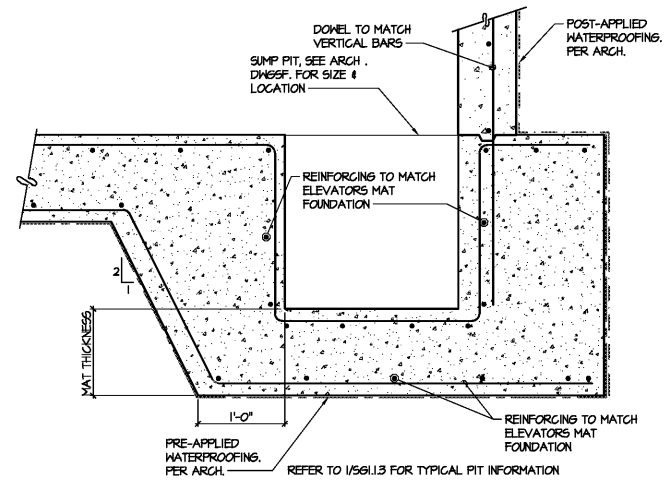


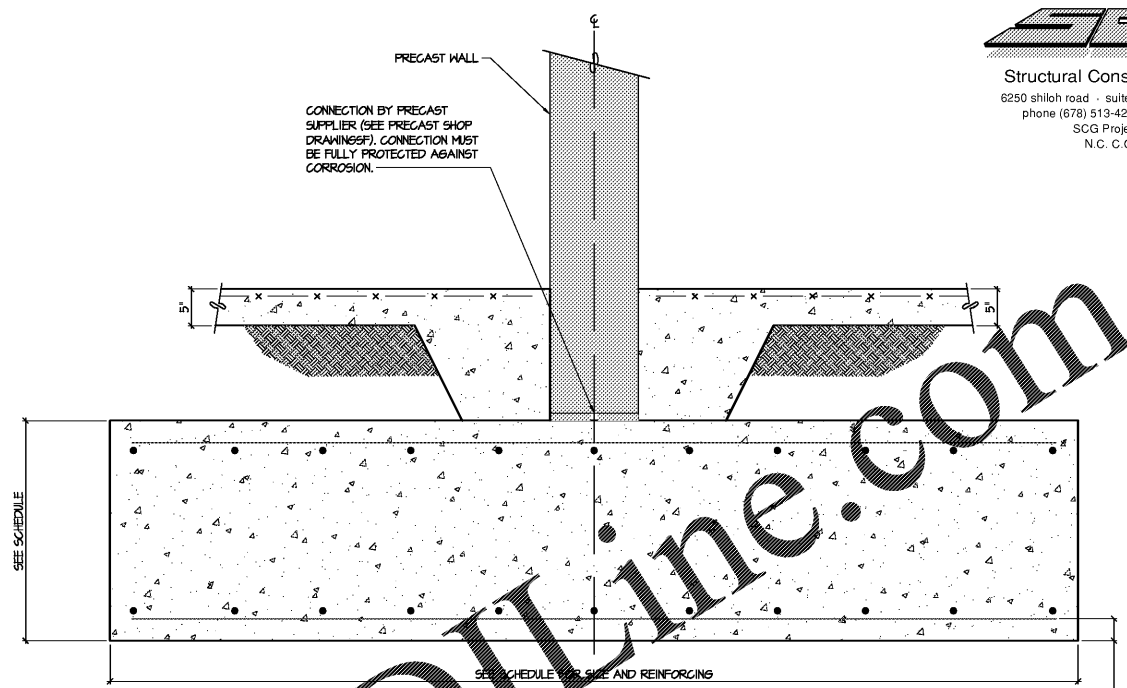
Structural Consulting Group, LLC
 6250 shiloh road - suite 20 - alpharetta, ga 30005
 phone (678) 513-4242 fax (678) 513-4232
 SCG Project No. 191003
 N.C. C.O.A.: P-0573



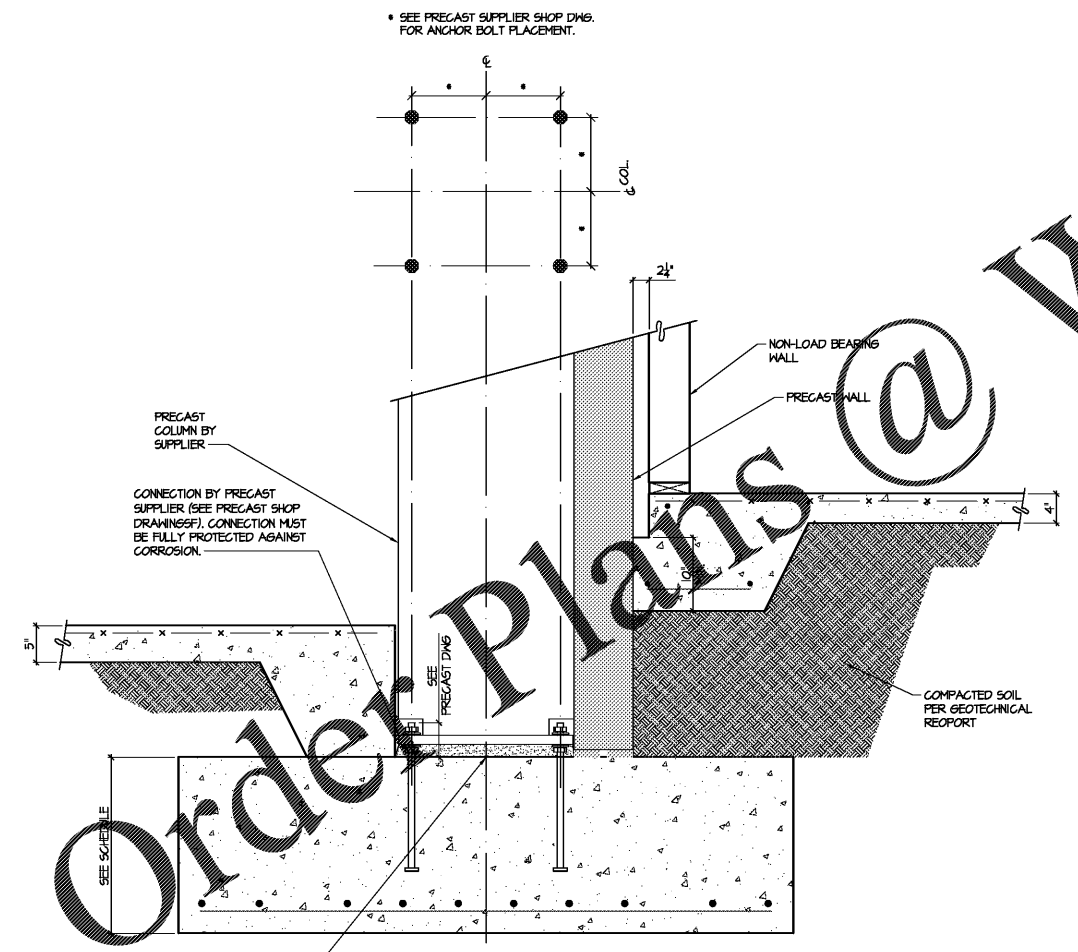
5 SECTION AT DRIVEWAY/ENTRANCE
 NOT TO SCALE



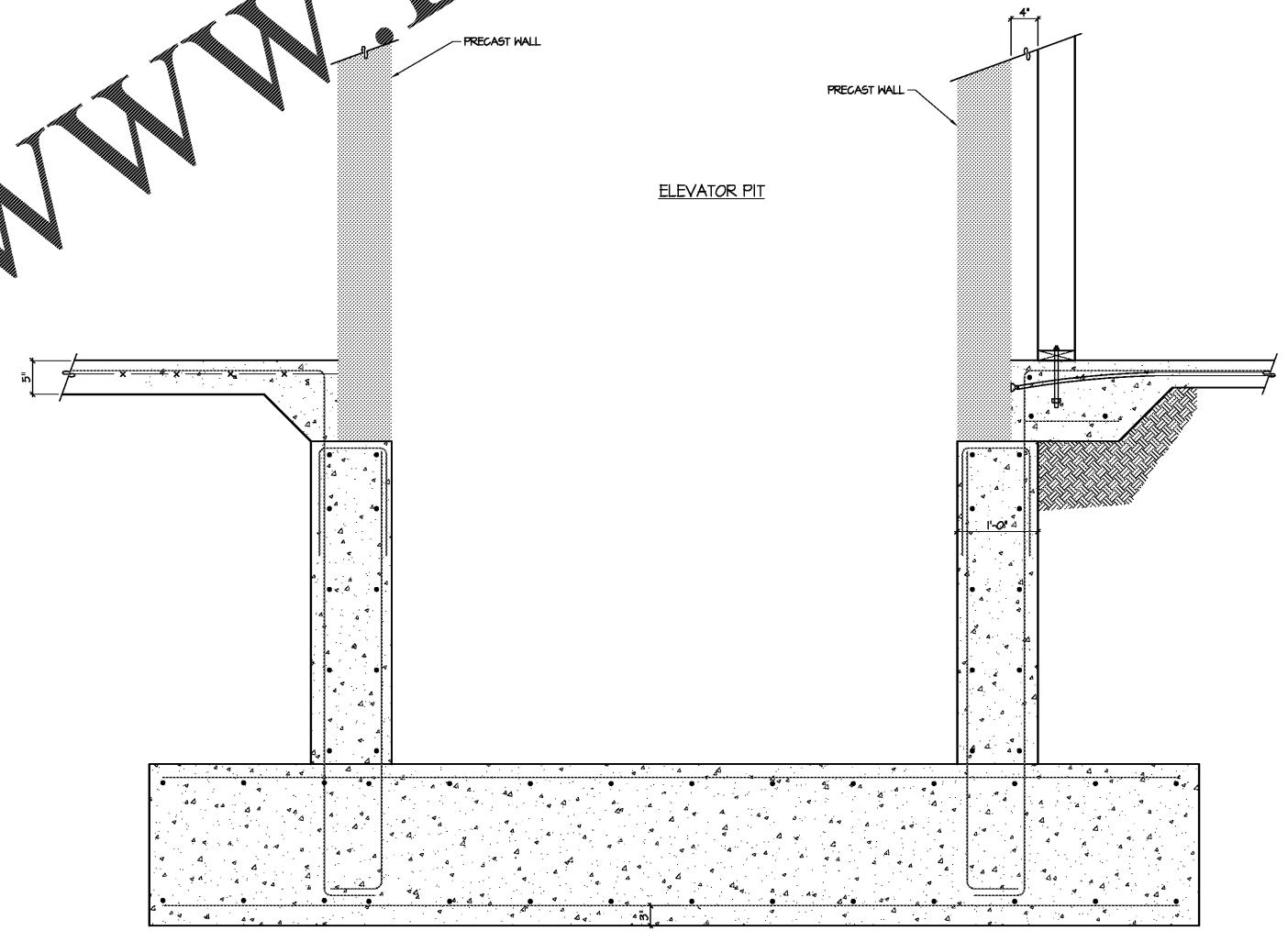
4 SECTION AT ELEVATOR SUMP PIT
 NOT TO SCALE



2 SECTION AT PRECAST SHEARWALL
 NOT TO SCALE



3 SECTION AT PRECAST COLUMN
 NOT TO SCALE



1 SECTION AT ELEVATOR
 NOT TO SCALE

Order Plans @

CRABTREE NORTH APTS.
 2251 Charles Drive
 Raleigh, North Carolina
 EYC COMPANIES

03FEB20
 PRICING
 SET

PROJECT	1915
DATE	06NOV19
DRAWN BY	SCG
CHECKED BY	F80

FOUNDATION DETAILS

SG1.1.3