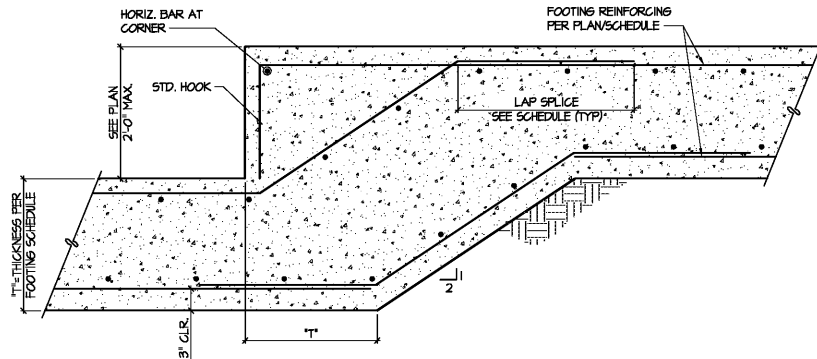
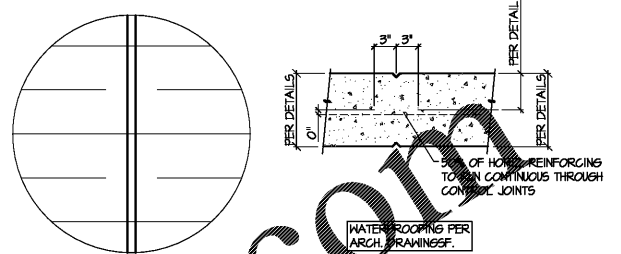


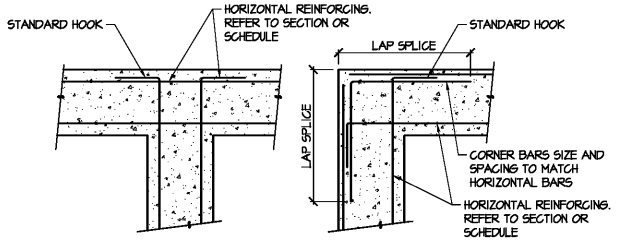
7 TYPICAL SLAB JOINTS
NOT TO SCALE



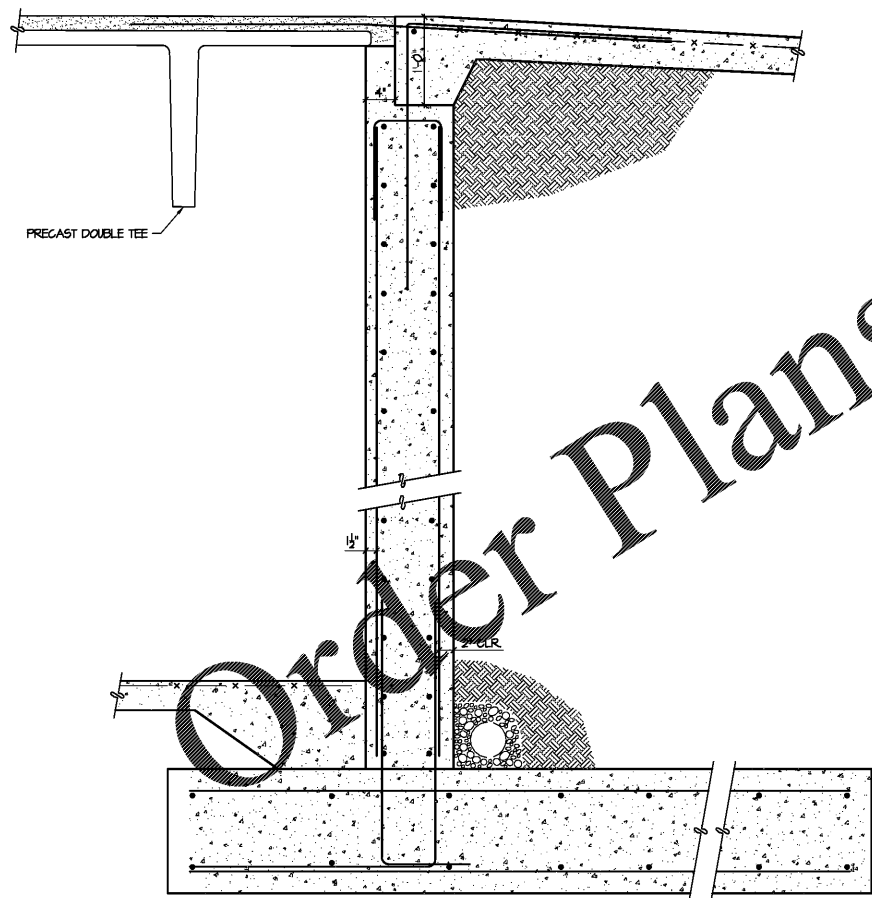
4 FOOTING STEP AT CONCRETE/MASONRY WALL
NOT TO SCALE



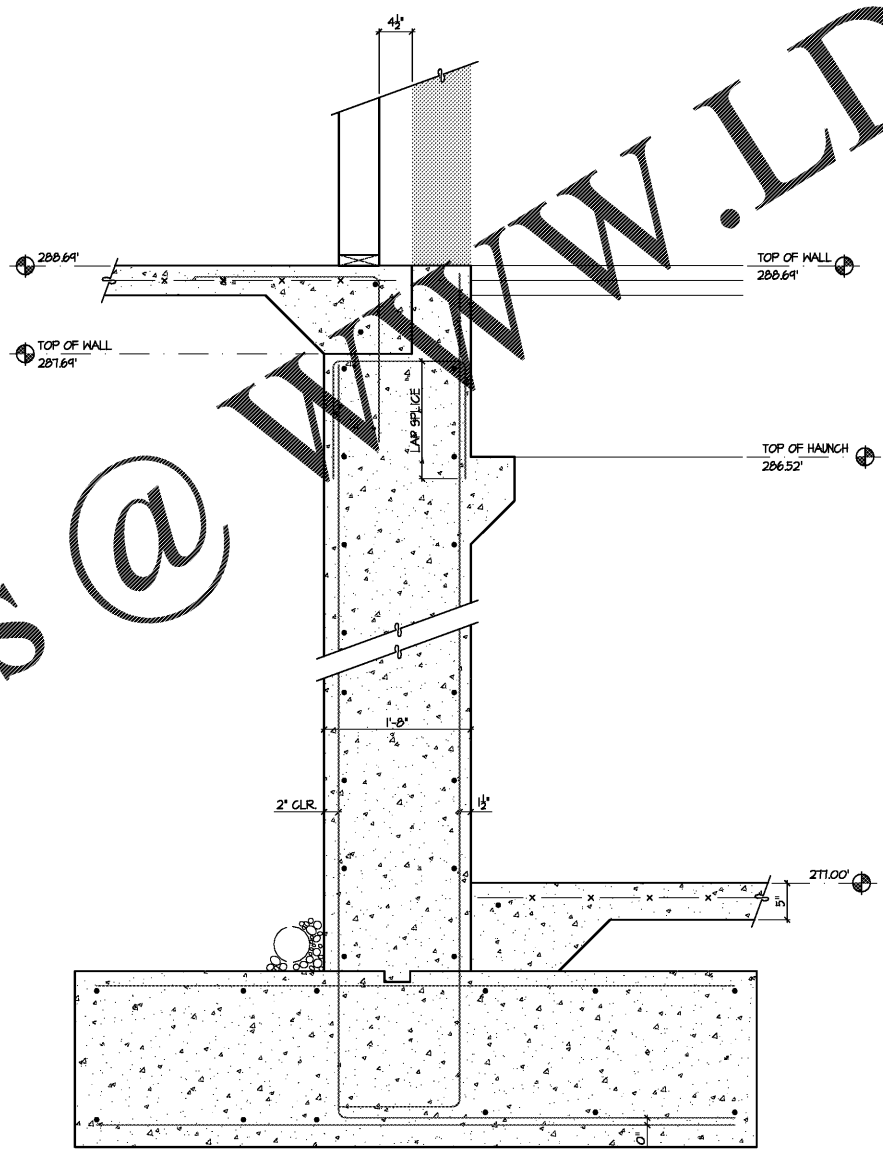
2 CONCRETE WALL CONTROL JOINT
NOT TO SCALE



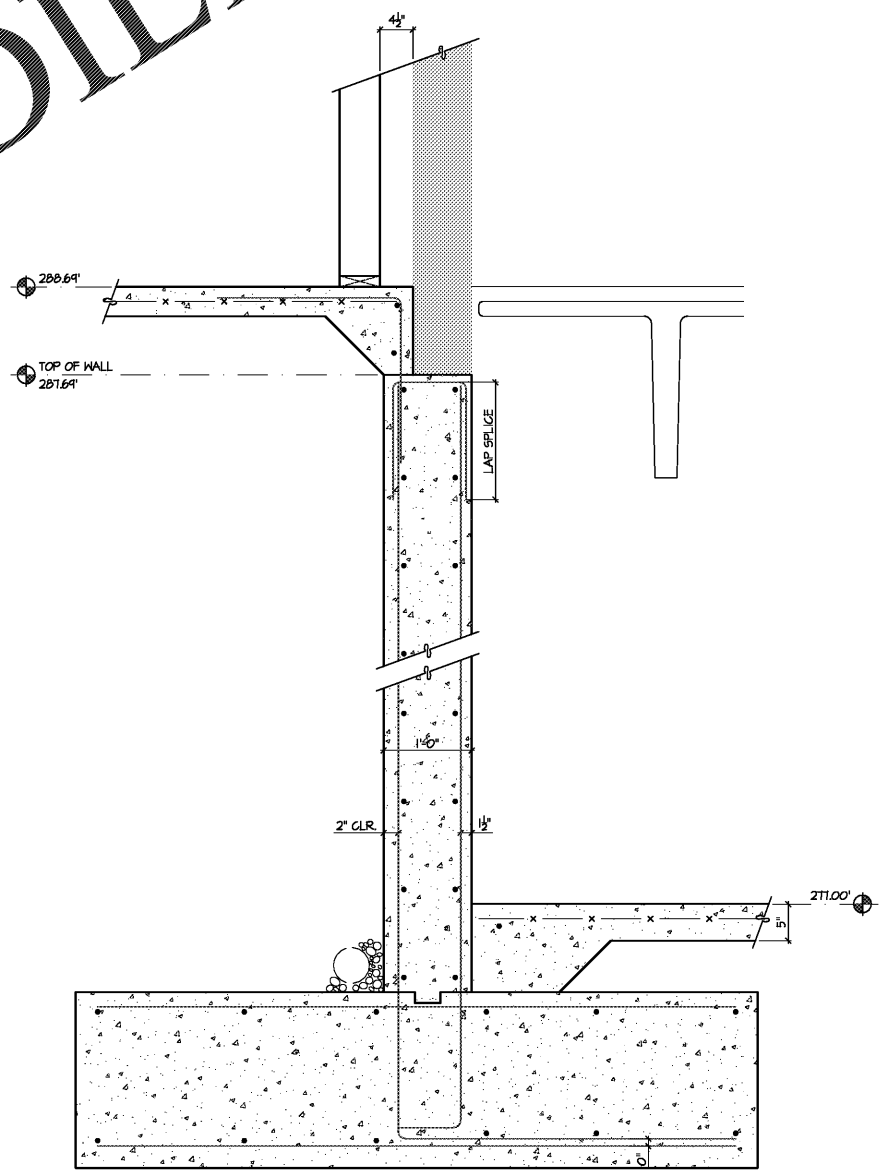
6 TYPICAL FOOTING INTERSECTION
NOT TO SCALE



5 SECTION AT RETAINING WALL
NOT TO SCALE



3 SECTION AT RETAINING WALL
NOT TO SCALE



1 SECTION AT RETAINING WALL
NOT TO SCALE

Structural Consulting Group, LLC
6250 shiloh road · suite 20 · alpharetta, ga 30005
phone (678) 513-4242 fax (678) 513-4232
SCG Project No. 191003
N.C. C.O.A.: P-0573

WLA
WATTS LEAF ARCHITECTS, PA
101 North McDowell Street, Suite 102
Charlotte, North Carolina 28204
PH 704 376 1800 FX 704 376 6111

CRABTREE NORTH APTS.
2251 Charles Drive
Raleigh, North Carolina
EYC COMPANIES

03FEB20
PRICING
SET

PROJECT 1915
DATE 06NOV19
DRAWN BY SCG
CHECKED BY F80

FOUNDATION DETAILS

SG1.1.0